



THE BEST WAY TO FIND AN EXCELLENT DRIVE

**antrimon**  
● motion

## SKA RT 148 RATINGS AND SPECIFICATIONS

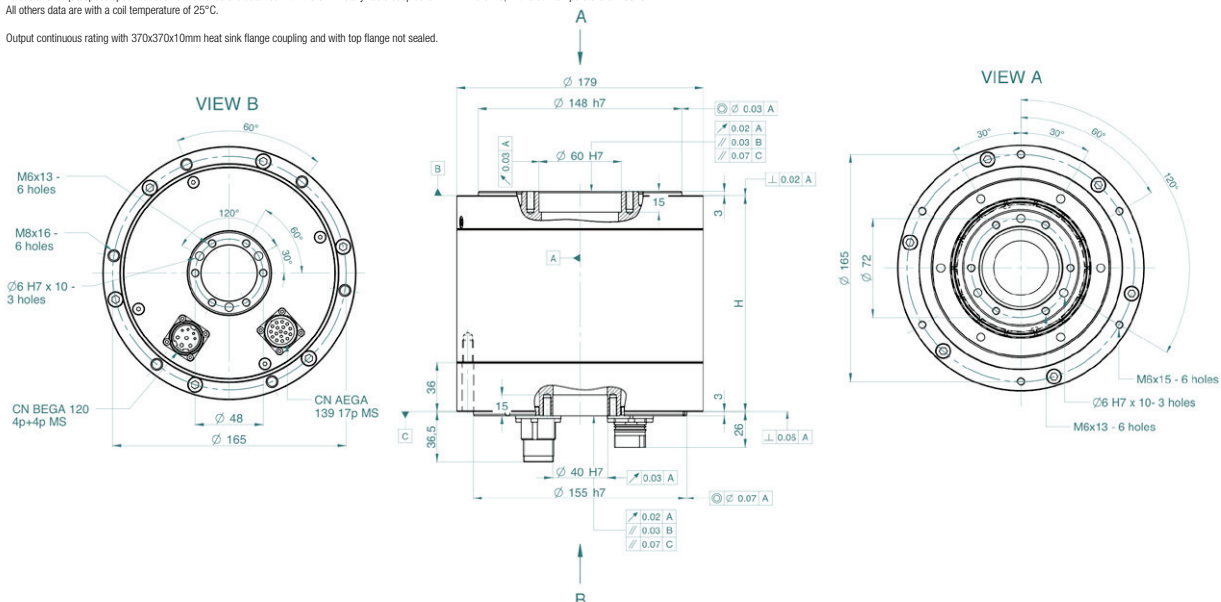
TIME RATING	Continuous	AMBIENT TEMPERATURE	0 to 40 °C
INSULATION CLASS	F	AMBIENT HUMIDITY	20 to 80% RH (non condensing)
ENCLOSURE	Totally enclosed, self-cooled	POLES	14
ENCLOSURE RATING	IP 42 (standard)	THERMAL PROTECTION	PT 1000

### SKA RT 148.30 19    SKA RT 148.60 19    SKA RT 148.90 19    SKA RT 148.120 50

Stall torque	Nm	8	14	20	26
Peak torque	Nm	35	68	103	141
Rated torque	Nm	6,8	11,6	16,3	21
Rated voltage	Vac	230	230	230	230
Stall current	Arms	2,02	3,53	5,04	4,62
Peak current	Arms	10,80	20,0	32,0	31,0
Rated current	Arms	1,76	3,01	4,23	3,85
Rated speed	rpm	400	400	400	400
Maximum speed	rpm	600	600	600	600
Torque constant ± 5%	Nm/Arms	3,97	3,97	3,97	5,62
Voltage constant ± 5%	Vrms/krpm	240	240	240	340
Phase/phase resistance ± 5%	Ohm	6,40	2,90	1,88	2,80
Phase/phase inductance	mH	20	12,30	9,50	14,80
Electrical time constant	msec	3,1	4,2	5,1	5,3
Thermal resistance	°C/W	1,75	1,26	0,95	0,76
Mechanical time constant	ms	4,17	2,52	2,04	1,82
Max. theoretical acceleration	rad/s <sup>2</sup>	5109	7440	9019	10284
Rotor inertia	Kg cm <sup>2</sup>	68,5	91,4	114,2	137,1
Motor height H	mm	127,5	157,5	187,5	217,5
Motor weight	Kg	15,3	18,1	22	26,1
Radial load	N(@30rpm)	4680	4680	4680	4680
Axial load	N(@60rpm)	4370	4370	4370	4370
Tilt moment	N(@15rpm)	150	150	150	150

Values and torque/speed specifications here detailed are obtained with the SKA Rotary Table coupled to FLEXI PRO drive, with a coil temperature of 100°C. All others data are with a coil temperature of 25°C.

Output continuous rating with 370x370x10mm heat sink flange coupling and with top flange not sealed.

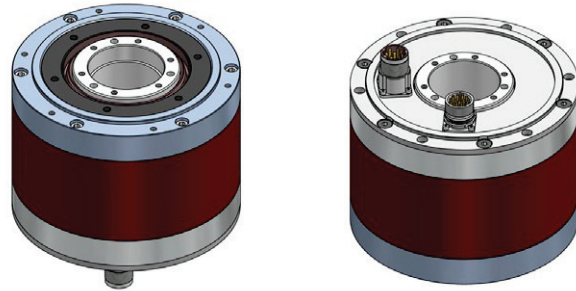




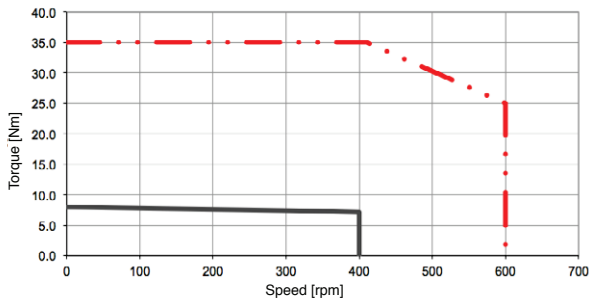
THE BEST WAY TO FIND AN EXCELLENT DRIVE

**antrimon**  
● motion

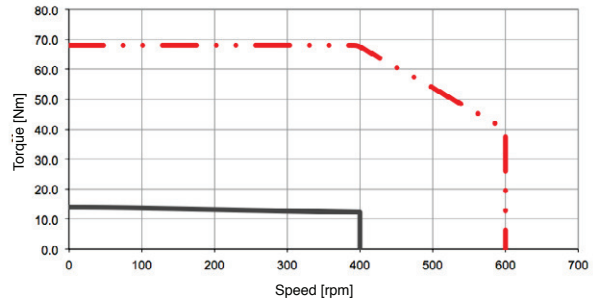
## SKA RT 148 TORQUE AND SPEED CHARTS



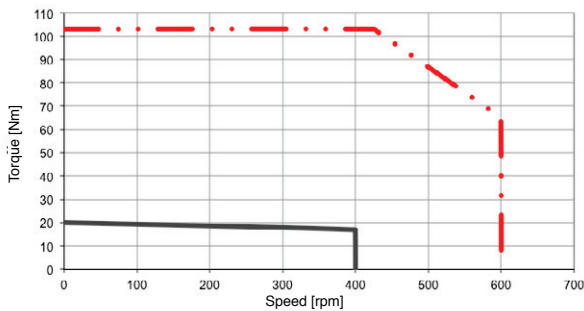
**SKA RT 148.30 19**



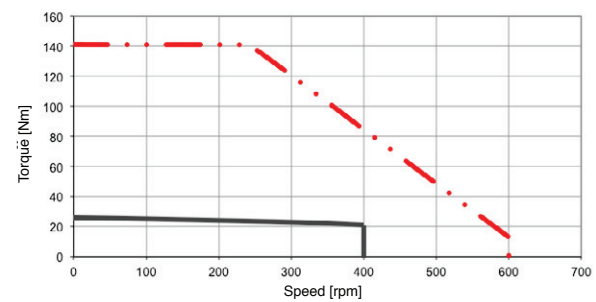
**SKA RT 148.60 19**



**SKA RT 148.90 19**



**SKA RT 148.120 50**



— CONTINUOUS DUTY @ RATED VOLTAGE  
- - - - - INTERMITTENT DUTY @ RATED VOLTAGE