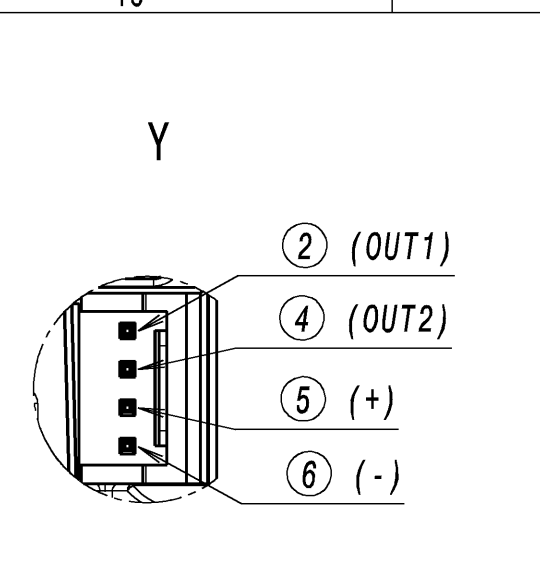


SAMPLING AND RELEASE ACCORDING TO HQ-G-02-04 AND NWA SUPPLIER MANUAL

SPECIAL CHARACTERISTIC	QUANTITY
SRC	1
SC	0
FC	4
CD [CD]	4

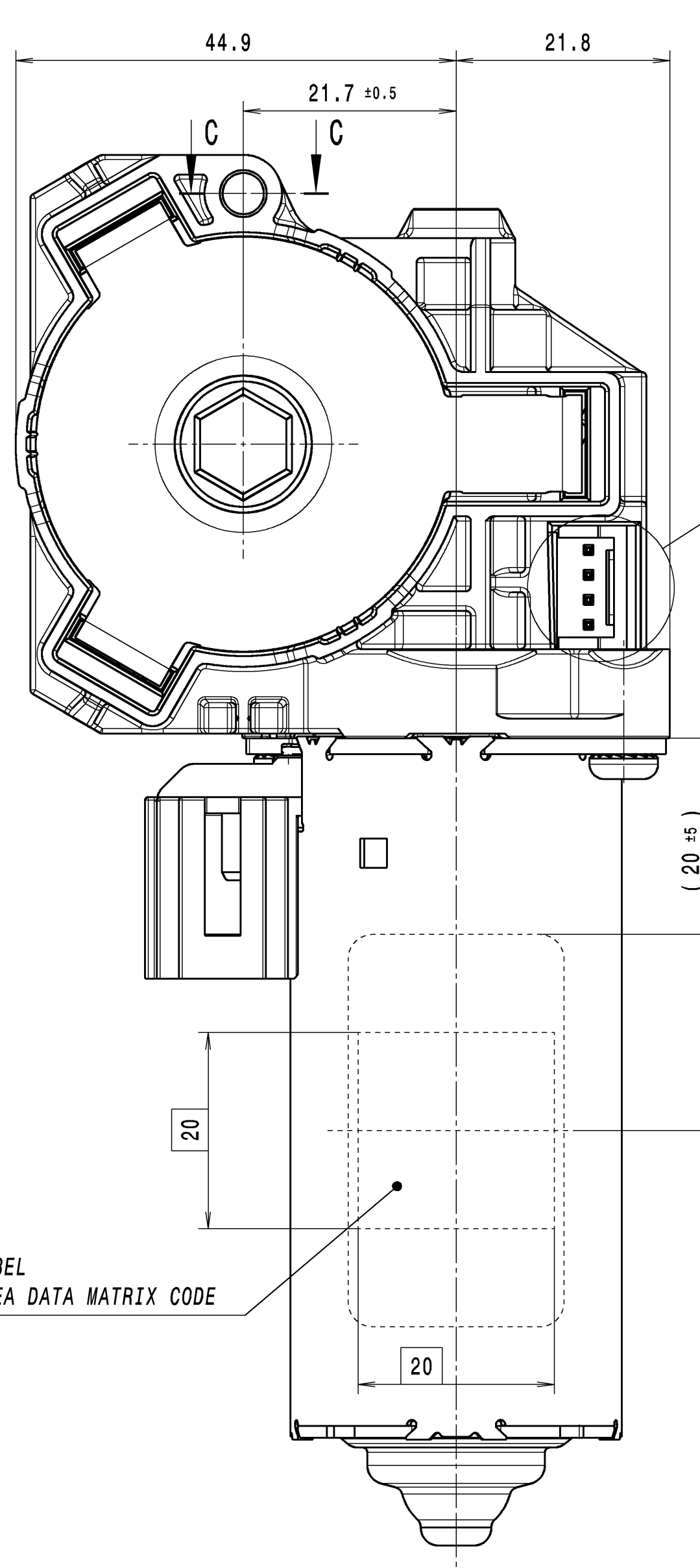
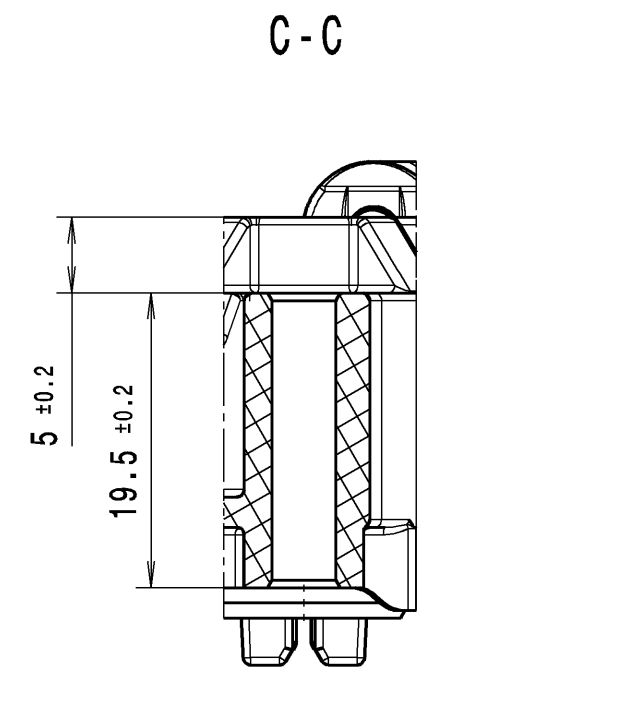


[CD] POSITION OF PINS CHECKED BY EOL-TEST CONNECTION

CONNECTOR
SUPPLIER: NELTRON
PART NO.: 2217R0-04

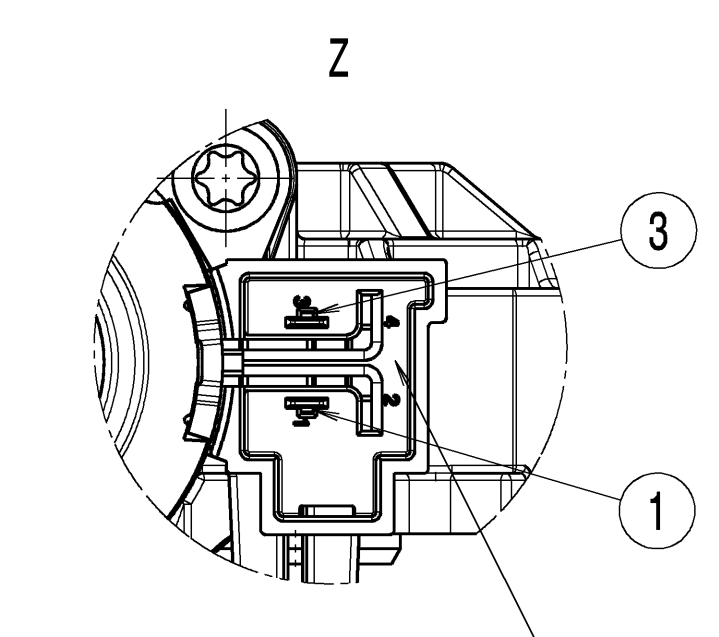
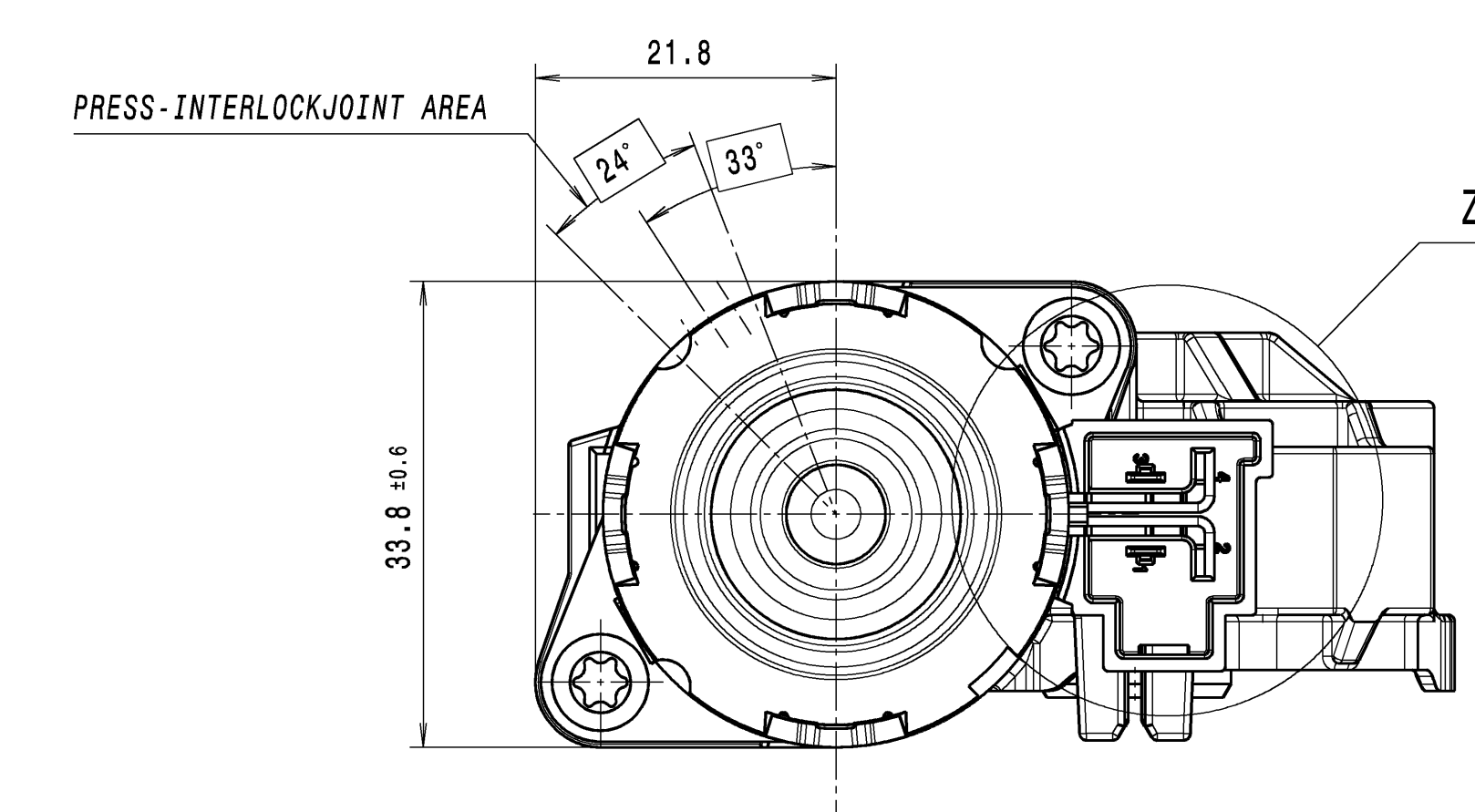
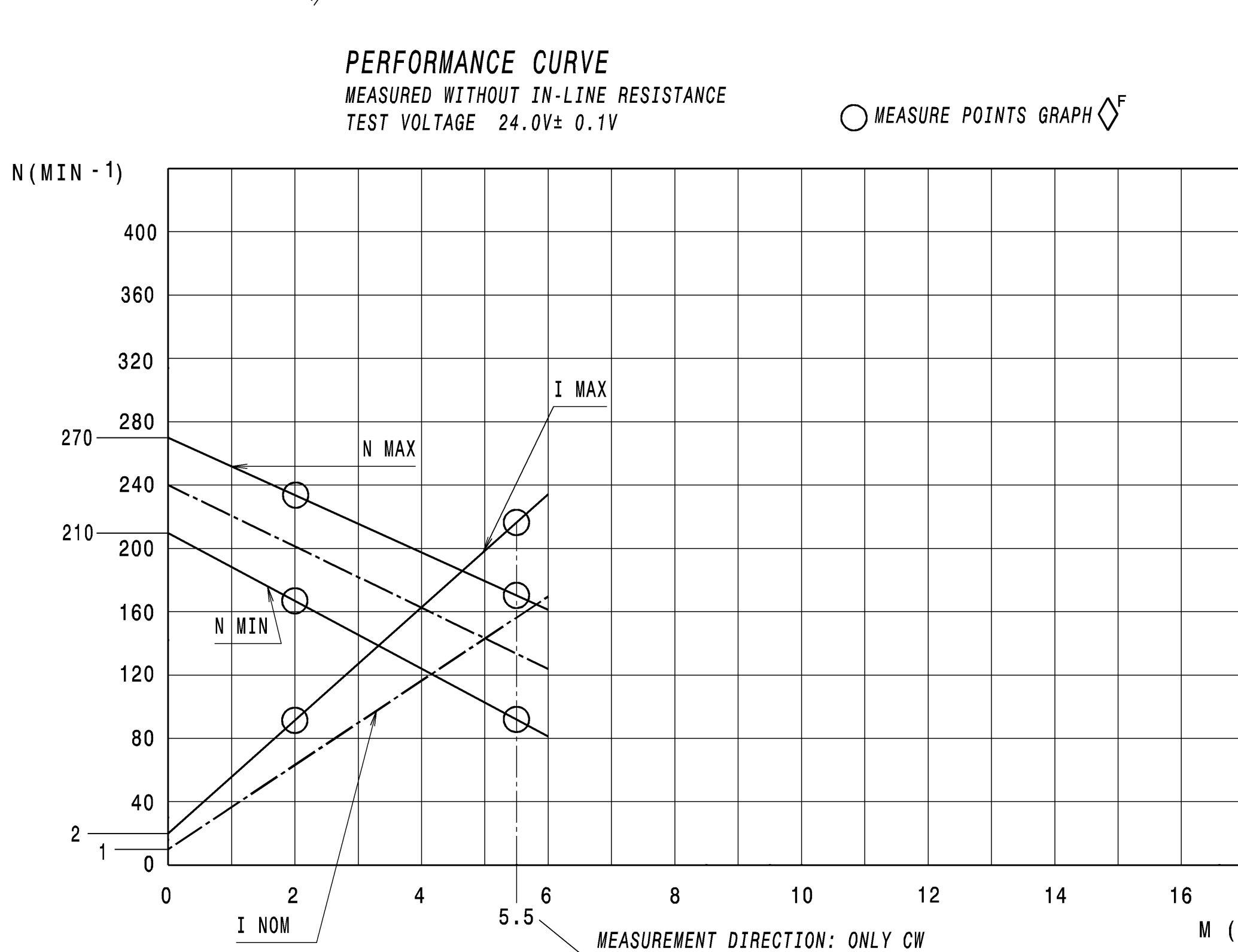
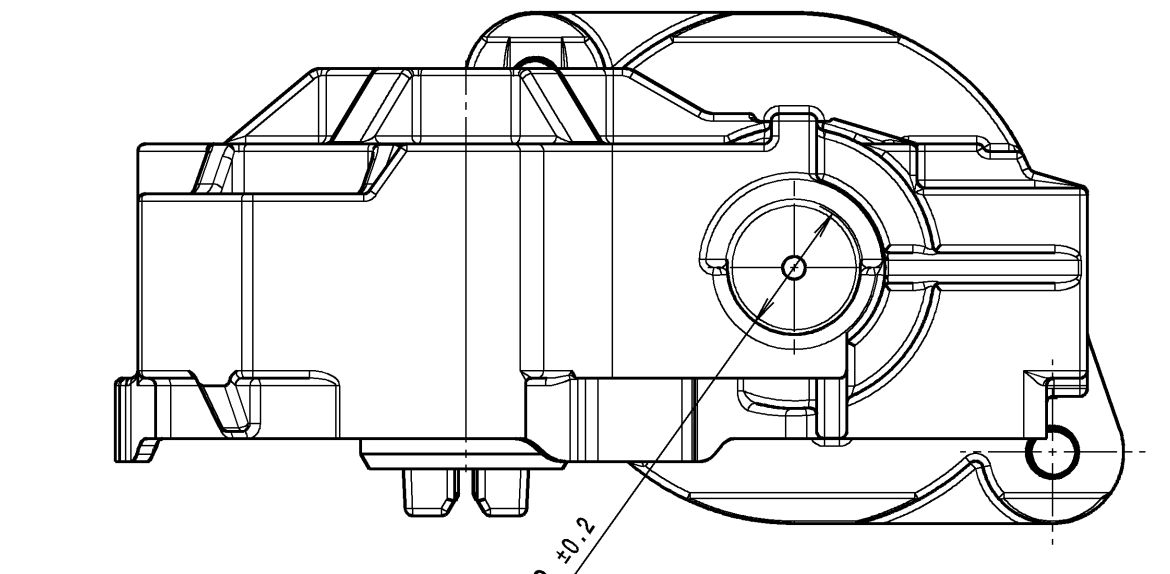
FEMALE CONNECTOR
FOR EXAMPLE:
SUPPLIER: MAS-CON
PART NO.: CE100 F22-04
APPLICABLE WIRES: AWG#22

SUPPLIER: CHYAD SHUNN
PART NO. CONNECTOR HOUSING: JS-8001-04
APPLICABLE WIRES: AWG#22-28



MARKING OF THE FINISHED GOOD MOTOR AFTER EOL

NOT VALID FOR THE PRESS-INTERLOCKJOINT AREA



PLUG CONNECTOR
[CD] POSITION OF PINS CHECKED BY EOL-TEST CONNECTION

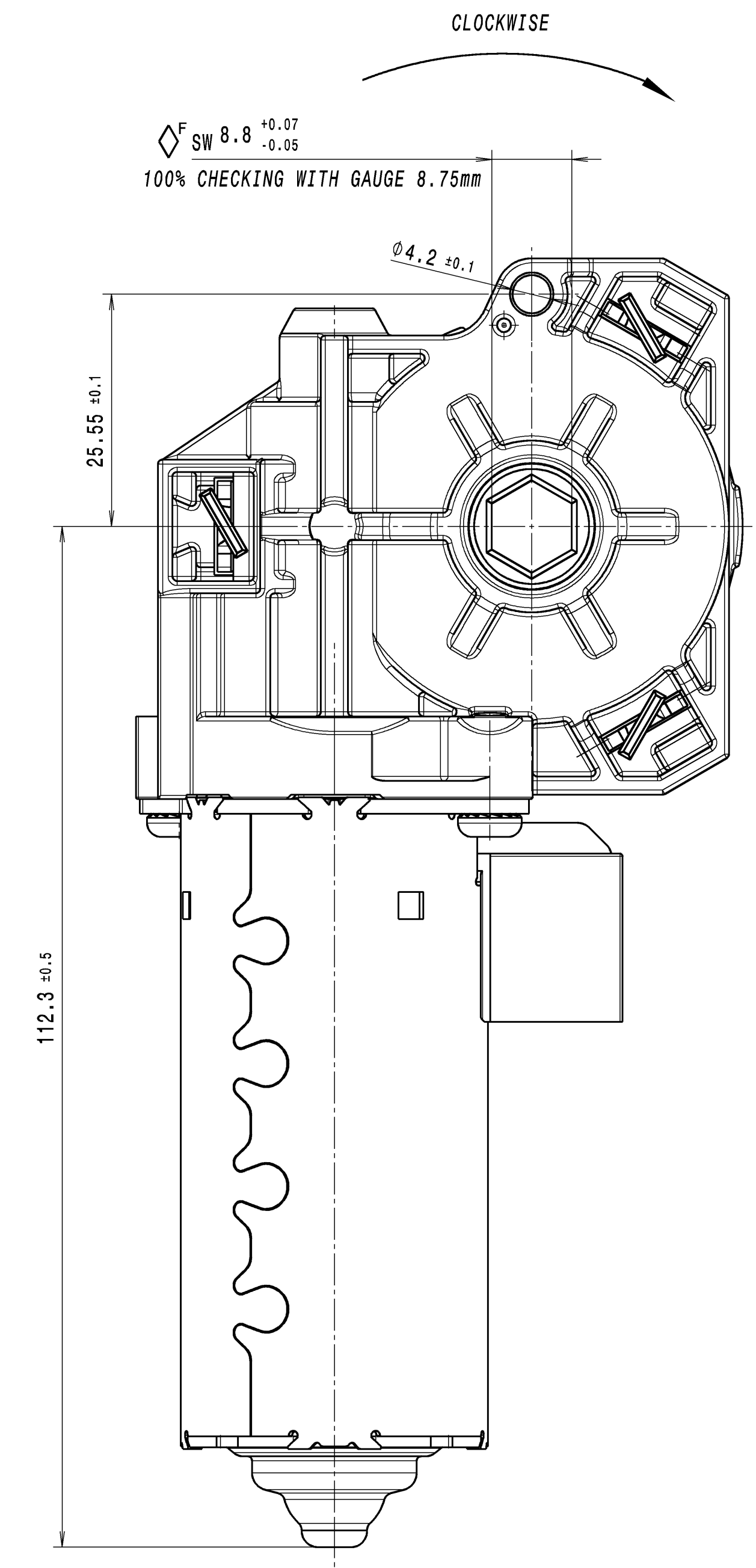
SEE PRODUCT SPECIFICATION:
SUMITOMO CODING F
NBS4 PIN 63x2 | 28x2
REF.-NO. A 43484
COLOR CONNECTOR: MATURE

OPTIONAL: PLUG-CONNECTOR 4-POLE
FCI DRAWING-NO. 9 339 03 00

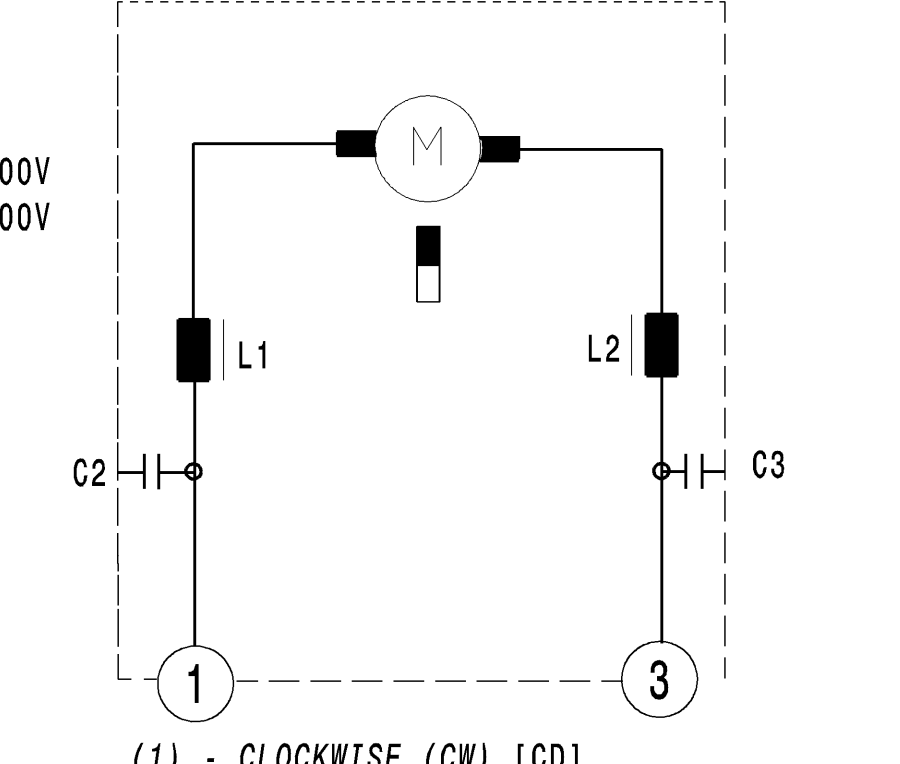
CONNECTION COUPLING:
SUMITOMO 4-WAY 6098-2830
NBS 4F-SEAT-F

OPTIONAL FCI b30236901. CODE F

MOTORSUPPLIER IS RESPONSIBLE FOR THE ELECTRICAL FUNCTIONALITY OF THE MOTOR SIDED INTERFACE



CIRCUIT DIAGRAM

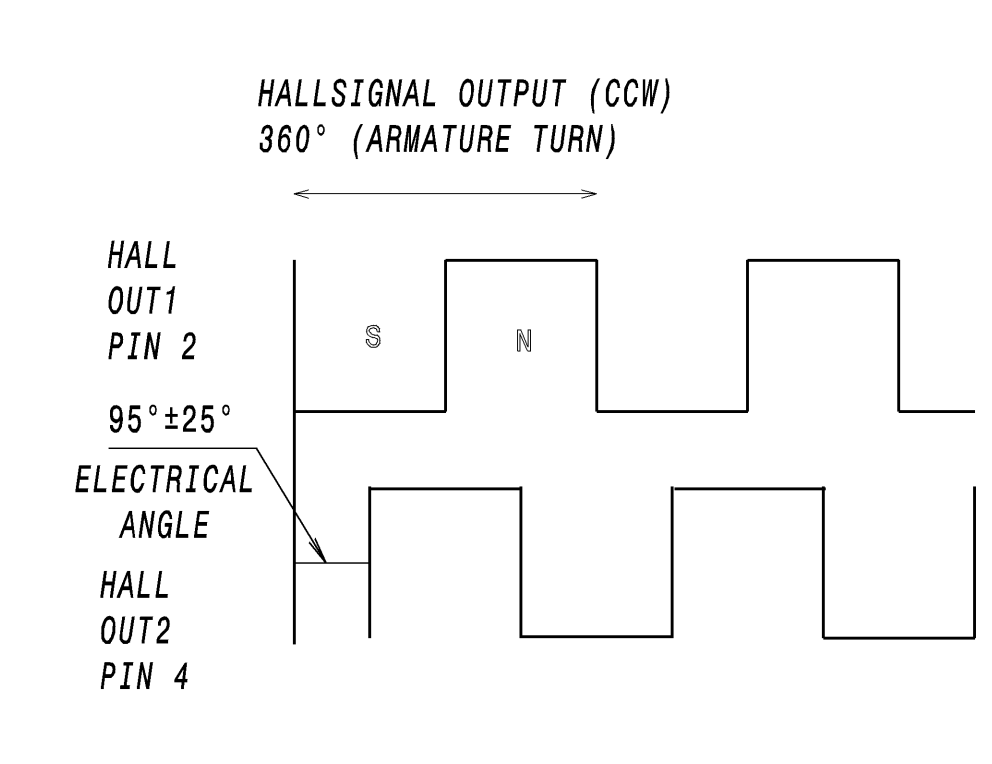
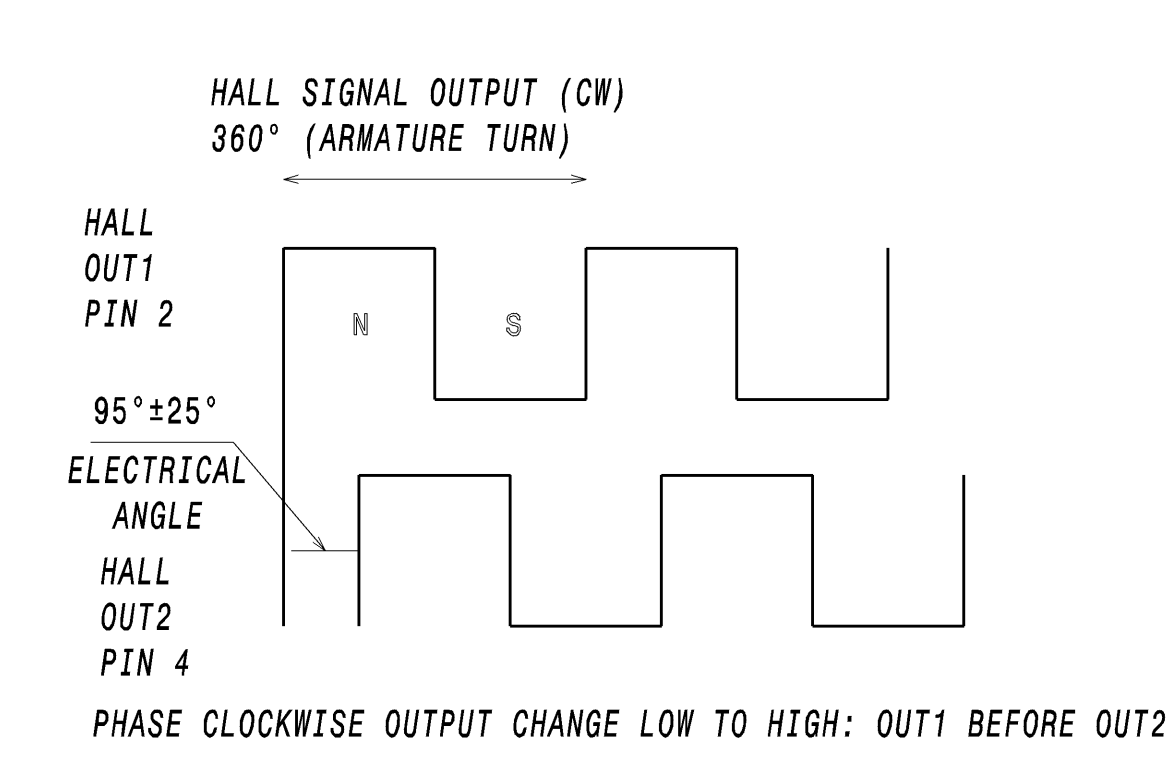


TEST-CIRCUIT HALL SENSORS

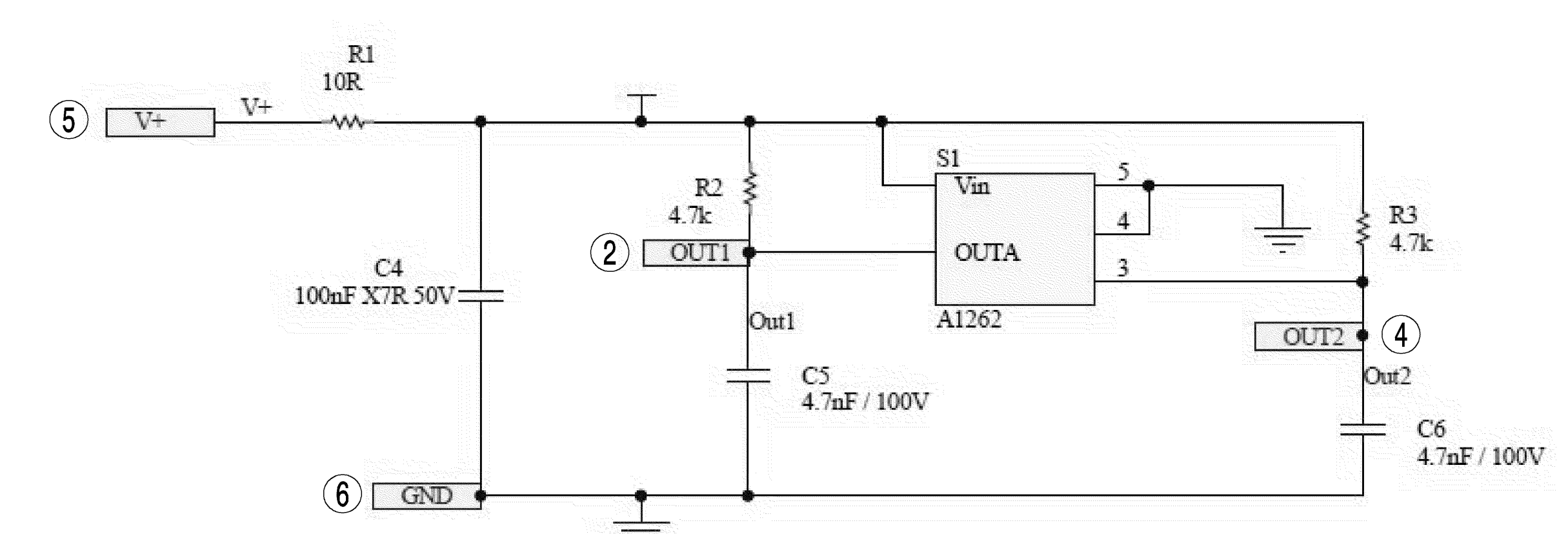
TEST VOLTAGE 5.0V ±0.1V

OUTPUT VOLTAGE SIGNAL HIGH - NORTH POLE
BOTH OUT1, OUT2 HIGH OUT1,2 = 4.9V ±0.4V
OUT1 LOW, OUT2 HIGH OUT2 = 4.7V ±0.5V
OUT2 LOW, OUT1 HIGH OUT1 = 4.7V ±0.5V
VERSUS GND

OUTPUT VOLTAGE SIGNAL LOW - SOUTH POLE
BOTH OUT1, OUT2 LOW OUT1,2 = 0.4V_{max}
OUT1 LOW, OUT2 HIGH OUT1 = 0.4V_{max}
OUT2 LOW, OUT1 HIGH OUT2 = 0.4V_{max}
VERSUS GND



CIRCUIT DIAGRAM



MOTOR WITH SELFLOCKING DEVICE

LIMIT DIMENSIONS FOR NOMINAL SIZE RANGES IN mm	...6	>6...30	>30...120	>120...400	>400...1000
TOLERANCES FOR NOMINAL SIZE RANGES IN mm	± 0.1	0.2	0.3	0.5	0.8
LIMIT DIM. FOR NOMINAL SIZE RANGES IN DEGREE/ MINUTE (SHORTER ANGLE SIDE)	...10	>10...50	>50...100	>100...200	>200
TOLERANCES FOR NOMINAL SIZE RANGES	1°	1°	2°	3°	5°
SURFACE FINISH ACC. TO SRF 00.051	NORM FOR SURFACE FINISH				
SURFACE TEXTURE ACC. TO DIN EN ISO 1302	EDGES ACC. TO ISO 13715				
GEOMETRICAL PRODUCT SPECIFICATIONS (GPS) SIZE ISO 14408 (E)	GEOM. TOLERANCING ACC. TO DIN EN ISO 1101				
STOCK MATERIAL	NORM FOR MATERIAL SPECIFICATION				
CUSTOMER REFERENCE NO.	55157218				
MATERIAL SPECIFICATION ACC. TO SRF 10.1XX	NORM FOR MATERIAL SPECIFICATION				
MATERIAL NO.	406-314-99-99		OLD SPAIN MATERIAL NO.	REFERENCE NO.	
ALL DIMENSIONS IN mm	SCALE 2:1		TITLE MOTOR CM3G	ARTICLE NO. 0287	
RELEASE LEVEL START OF WORK	A		DT DOCUMENT NO. 10000033594	VERSION 05	SHEET 1 OF 1
DRAWN	DATE 22.09.2021		NAME BRUNN	DESIGNED BY BRUNN	DIR. FOR
CHECKED	DATE		NAME	DESIGNED BY	DIR. FOR
RELEASED	DATE		NAME	DESIGNED BY	DIR. FOR

A) GENERAL

FLAMMABILITY OF FITTING MATERIALS MUST COMPLY WITH FMVSS 302 AND EG/EN 95/28 CERTIFICATION BY PLASTIC PELLETS SUPPLIER

SOLDERING PROCESS ON HALL PCB AND EMC PCB MUST COMPLY WITH EU-DIRECTIVE 2002/95/EC (ROHS), (LEAD FREE, ETC.)

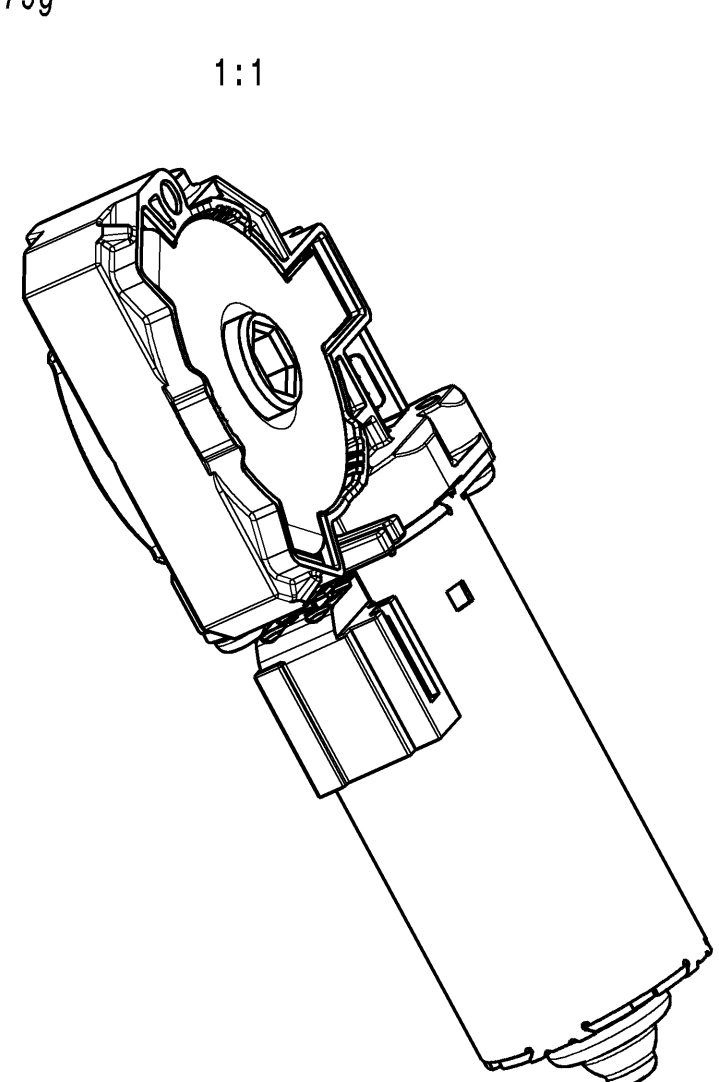
CONFORM TO EU-DIRECTIVE 2000/53/EG AND ANNEX II TO DIRECTIVE IN MOST RECENT VERSION

1. TEST VOLTAGE	UP = 24V DC
2. NO LOAD SPEED	n0 = SEE DIAGRAM
3. NO LOAD CURRENT	IO = SEE DIAGRAM
4. RFI SUPPRESSION	= SEE DIAGRAM
5. ISOLATION TEST	= TBD.
6. SELF LOCKING STATIC	≤ 10Nm IN CW DIRECTION
7. RADIAL LOAD ON DRIVE SHAFT	F = TBD.
8. AXIAL LOAD ON DRIVE SHAFT	F = TBD.
9. NOISE LEVEL	= CMS 406_314
10. TEMPERATURE	= 20°C TO +60°C
11. PROTECTION	IP = 20
12. VIBRATION	= NA

ADDITIONAL REQUIREMENTS, WHICH ARE NOT CONTENT OF THE ABOVE SPECIFICATION, HAVE TO BE SECURED BY THE CUSTOMER. FOR THIS ADDITIONAL REQUIREMENTS NIDEC CAN TAKE NO PRODUCT LIABILITY.

B) OTHER VALID DOCUMENTS

- DV PLAN CM3G
TOTAL ESTIMATED WEIGHT: APPROXIMATELY 375g



COPYRIGHT RESERVED BY ISO 16016 Nidec