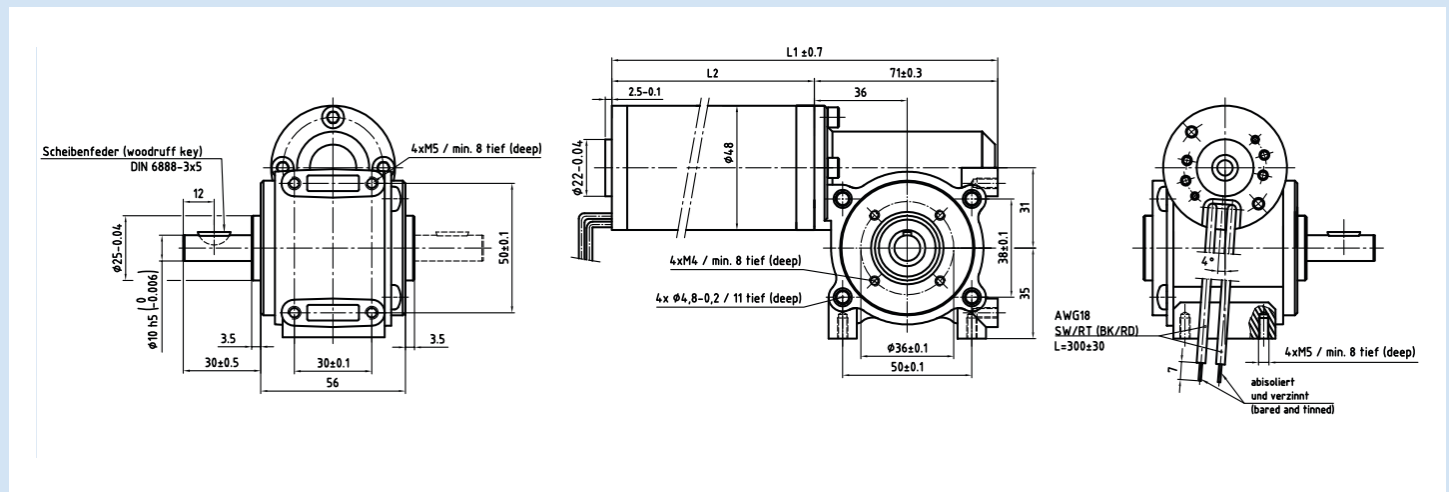


# Motor M48 with worm gear SN31

- zinc die-cast gearhousing, hardened steel worm wheel, permanent grease lubrication, output with ball bearing, optional second shaft or output shaft left
- Other reductions, output shaft or connection cable on request



## Gear reduction table M48xXX/I+ SN31

Application on request

| Gear reduction | Efficiency of the gear | Speed at motor-speed 3000rpm | Nominal torque in S1-operation |                        |                         |                         |
|----------------|------------------------|------------------------------|--------------------------------|------------------------|-------------------------|-------------------------|
|                |                        |                              | M48x25/I<br>L2 = 91 mm         | M48x28/I<br>L2 = 91 mm | M48x50/I<br>L2 = 116 mm | M48x60/I<br>L2 = 126 mm |
| [i = x:1]      | [%]                    | [1/min]                      | [Ncm]                          | [Ncm]                  | [Ncm]                   | [Ncm]                   |
| 7              | 69                     | 428,5                        | 24,15                          | 48,3                   | 48,3                    | 72,45                   |
| 10             | 66                     | 300                          | 33                             | 66                     | 66                      | 99                      |
| 15             | 62                     | 200                          | 46,5                           | 93                     | 93                      | 139,5                   |
| 25             | 52                     | 120                          | 65                             | 130                    | 130                     | 195                     |
| 38             | 46                     | 78,9                         | 87,4                           | 174,8                  | 174,8                   | 262,2                   |
| 50             | 40                     | 60                           | 100                            | 200                    | 200                     | 300                     |

| Gear reduction  | Efficiency of the gear | Speed at motor-speed 3000rpm | Nominal torque in S3-operation |                        |                         |                         |
|-----------------|------------------------|------------------------------|--------------------------------|------------------------|-------------------------|-------------------------|
|                 |                        |                              | M48x25/I<br>L2 = 91 mm         | M48x28/I<br>L2 = 91 mm | M48x50/I<br>L2 = 116 mm | M48x60/I<br>L2 = 126 mm |
| [i = x:1]       | [%]                    | [1/min]                      | [Ncm]                          | [Ncm]                  | [Ncm]                   | [Ncm]                   |
| 7               | 78                     | 428,5                        | 40,95                          | 81,9                   | 81,9                    | 122,86                  |
| 10 <sup>#</sup> | 79                     | 300                          | 59,25                          | 118,5                  | 118,5                   | 177,75                  |
| 15 <sup>#</sup> | 77                     | 200                          | 86,63                          | 173,25                 | 173,25                  | 259,88                  |
| 25              | 58                     | 120                          | 108,75                         | 217,5                  | 217,5                   | 326,25                  |
| 38              | 50                     | 78,9                         | 142,5                          | 285                    | 285                     | 427,5                   |
| 50              | 44                     | 60                           | 165                            | 330                    | 330                     | 496                     |

\*) Motor have to be operated with current limitation

#) plastic design

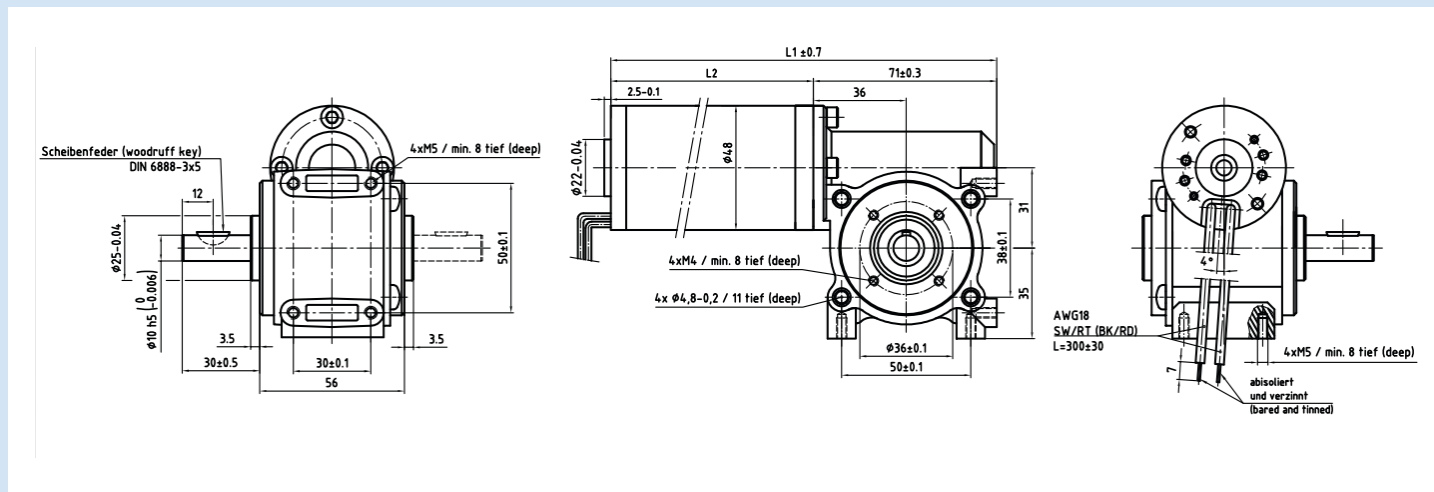
## General gear data

| Material worm wheel    |                         | Plastic   | Brass     |
|------------------------|-------------------------|-----------|-----------|
| Maximum torque         | [Ncm]                   | 800       | 1200      |
| Permissible shaft load | [N]<br>(axial / radial) | 200 / 500 | 200 / 500 |
| Gear length            | [mm]                    | 71        | 71        |

Stand: 24. Juli 2020 – changes reserved

# Motor M48 mit Schneckengetriebe SN31

- Gehäuse aus Zinkdruckguss, Schnecke aus gehärtetem Stahl, Fettdauerschmierung, Abtrieb kugellagert, optional zweites Wellenende oder Abtriebswelle links
- andere Untersetzungen, Abtriebswellen oder Anschlussleitungen auf Anfrage



## Untersetzungstabelle M48xXX/I+ SN31

Applikation auf Anfrage

| Untersetzung | Wirkungsgrad Getriebe | Drehzahl bei Motordrehzahl 3000 1/min | Nenn Drehmoment im S1-Betrieb |                        |                         |                         |
|--------------|-----------------------|---------------------------------------|-------------------------------|------------------------|-------------------------|-------------------------|
|              |                       |                                       | M48x25/I<br>L2 = 91 mm        | M48x28/I<br>L2 = 91 mm | M48x50/I<br>L2 = 116 mm | M48x60/I<br>L2 = 126 mm |
| [i = x:1]    | [%]                   | [1/min]                               | [Ncm]                         | [Ncm]                  | [Ncm]                   | [Ncm]                   |
| 7            | 69                    | 428,5                                 | 24,15                         | 48,3                   | 48,3                    | 72,45                   |
| 10           | 66                    | 300                                   | 33                            | 66                     | 66                      | 99                      |
| 15           | 62                    | 200                                   | 46,5                          | 93                     | 93                      | 139,5                   |
| 25           | 52                    | 120                                   | 65                            | 130                    | 130                     | 195                     |
| 38           | 46                    | 78,9                                  | 87,4                          | 174,8                  | 174,8                   | 262,2                   |
| 50           | 40                    | 60                                    | 100                           | 200                    | 200                     | 300                     |

| Untersetzung    | Wirkungsgrad Getriebe | Drehzahl bei Motordrehzahl 3000 1/min | Nenn Drehmoment im S3-Betrieb |                        |                         |                         |
|-----------------|-----------------------|---------------------------------------|-------------------------------|------------------------|-------------------------|-------------------------|
|                 |                       |                                       | M48x25/I<br>L2 = 91 mm        | M48x28/I<br>L2 = 91 mm | M48x50/I<br>L2 = 116 mm | M48x60/I<br>L2 = 126 mm |
| [i = x:1]       | [%]                   | [1/min]                               | [Ncm]                         | [Ncm]                  | [Ncm]                   | [Ncm]                   |
| 7               | 78                    | 428,5                                 | 40,95                         | 81,9                   | 81,9                    | 122,86                  |
| 10 <sup>#</sup> | 79                    | 300                                   | 59,25                         | 118,5                  | 118,5                   | 177,75                  |
| 15 <sup>#</sup> | 77                    | 200                                   | 86,63                         | 173,25                 | 173,25                  | 259,88                  |
| 25              | 58                    | 120                                   | 108,75                        | 217,5                  | 217,5                   | 326,25                  |
| 38              | 50                    | 78,9                                  | 142,5                         | 285                    | 285                     | 427,5                   |
| 50              | 44                    | 60                                    | 165                           | 330                    | 330                     | 496                     |

\*) Motor muss mit Strombegrenzung betrieben werden

#) Kunststoffausführung

## Allgemeine Getriebedaten

|                           |                         |            |           |
|---------------------------|-------------------------|------------|-----------|
| Material Schneckenrad     |                         | Kunststoff | Messing   |
| Max. Drehmoment           | [Ncm]                   | 800        | 1200      |
| Zulässige Wellenbelastung | [N]<br>(axial / radial) | 200 / 500  | 200 / 500 |
| Getriebelänge             | [mm]                    | 71         | 71        |

Stand: 9. Juni 2020 – Änderungen vorbehalten