

SERIES

SKA DDL 75.660 – 75.990

FORCE [N]

660/990

SINEWAVE FORM		SYMBOL	UNITS	TYPE OF WINDING XX = preferential winding		
				15	17	
MOTR SPEED	Vn drive 145 V (ac) 3phase		[m/s]	2	1.1	
	Vn drive 230 V (ac) 3phase		[m/s]	3	1.5	
	Vn drive 400 V (ac) 3phase		[m/s]	5	3	
COMMON RATINGS						
	Voltage constant ± 5%	Ke	[Vrms/m/s]	55	97	
	Pole pitch	P	[mm]		24	
	Temperature range	Tr	[°C]	0 ÷ 40°		
SKA DDL 75.660						
MOTOR RATINGS	Continuous force(0 m/s)	Fn0	[N]	660		
	Peak force	Fmax	[N]	1980		
	Force constant ± 5%	Kf	[N/Arms]	86	151	
	Rated current (0 m/s)	In0	[Arms]	7.7	4.38	
	Peak current	I fmax	[Arms]	30.78	17.5	
	Phase/phase res. ± 5% a 20°C	Rff	[Ohm]	2.3	7.5	
	Phase/phase inductance	Lff	[mH]	31	97	
	Electrical time constant	Te	[msec]		13	
	Attraction force	Fm	[N]	3143		
	Power loss	Pd	[W]	290		
	Thermal resistance	Rth	[°C/W]	0.31		
	Motor constant	Km	[N/√W]	39		
SKA DDL 75.990						
	Continuous force(0 m/s)	Fn0	[N]	990		
	Peak force	Fmax	[N]	2970		
	Force constant ± 5%	Kf	[N/Arms]	86	151	
	Rated current (0 m/s)	In0	[Arms]	11.54	6.57	
	Peak current	I fmax	[Arms]	46.17	26.25	
	Phase/phase res. ± 5% a 20°C	Rff	[Ohm]	1.53	5.0	
	Phase/phase inductance	Lff	[mH]	20	64	
	Electrical time constant	Te	[msec]		13	
	Attraction force	Fm	[N]	4663		
	Power loss	Pd	[W]	435		
	Thermal resistance	Rth	[°C/W]	0.21		
	Motor constant	Km	[N/√W]	47		
THERMAL PROTECTION	Type of thermal cut-off			N C : normally closed		
	Rated voltage	Vn	[Vac]	250		
	Rated current	In	[A]	2.5		
	Operative temperature	Tn	[°C]	130 °C ± 5%		
	Resetting temperature	Tr	[°C]	100 °C ± 15°C		
	Operative time		[ms]	1		
	Insulation class			F		

Datasheet n°: SKADDL- 2012-04-18

SERIES

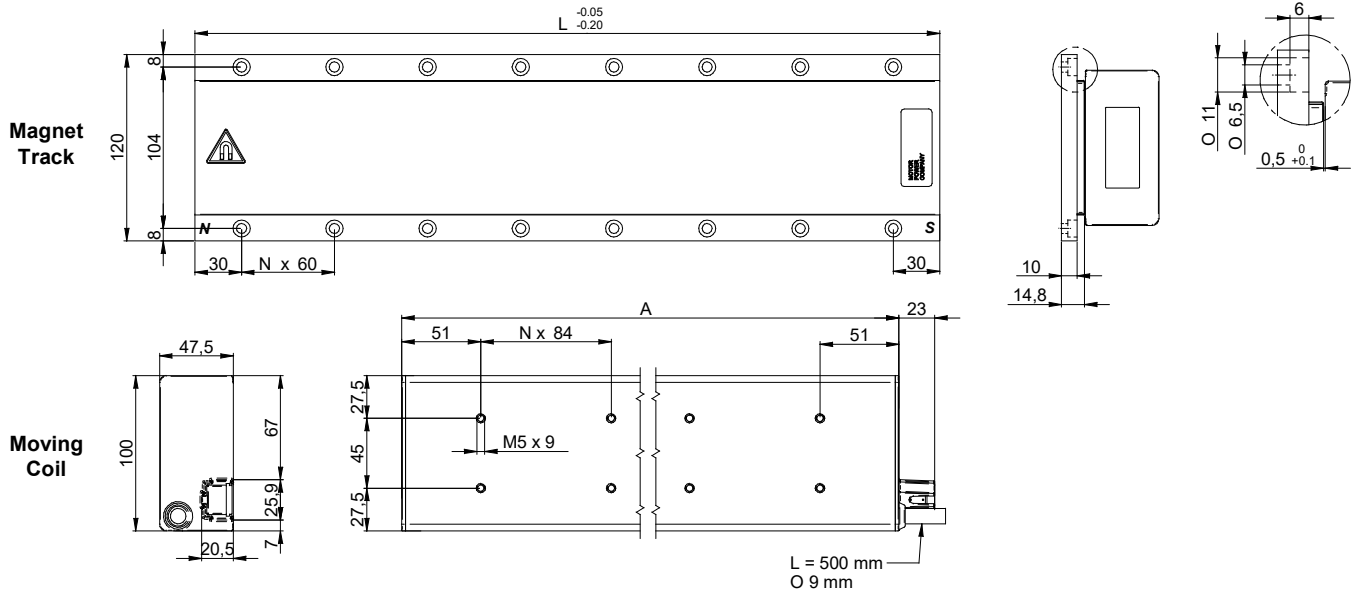
SKA

DDL 75

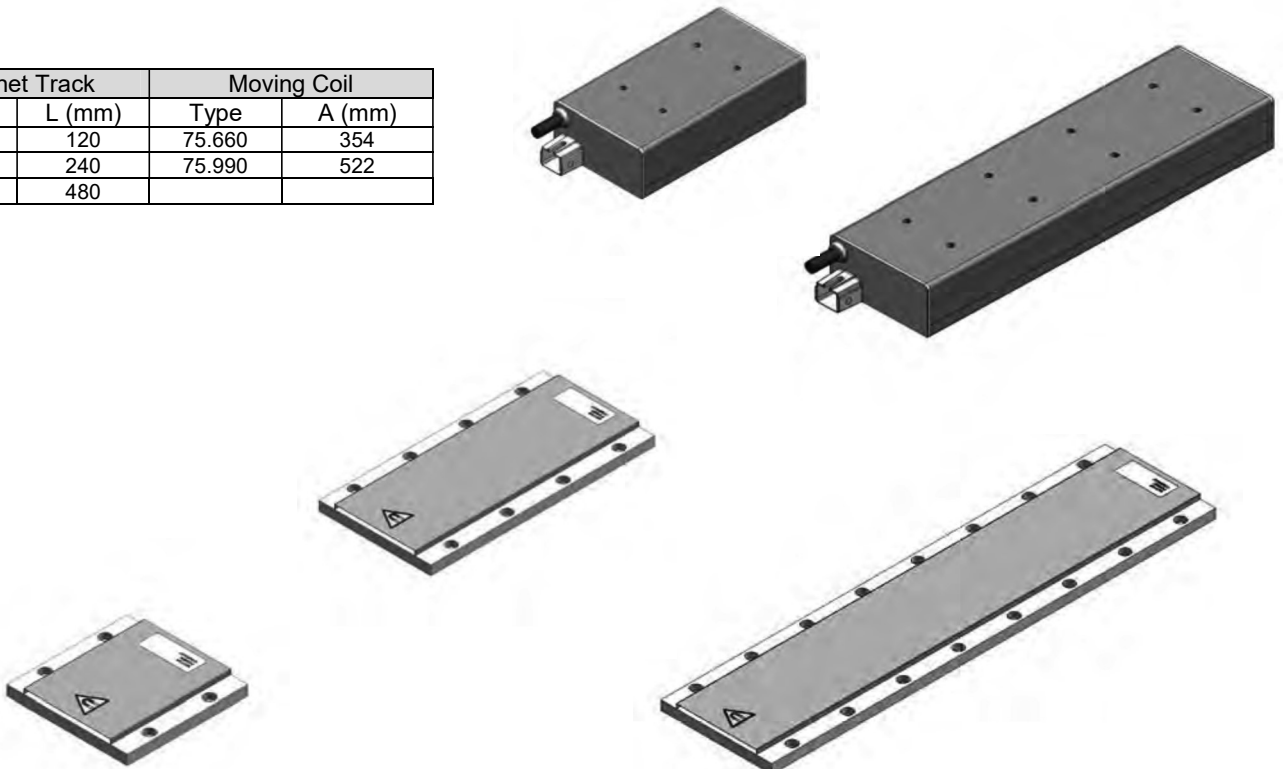
FORCE [N]

660/990

MOTOR DIMENSIONS



Magnet Track		Moving Coil	
Type	L (mm)	Type	A (mm)
75-120	120	75.660	354
75-240	240	75.990	522
75-480	480		



Datasheet n°: SKADDL-2008-03-00