

SERIES

FORCE [N]

# SKA DDL 50.75 – 50.150

# 75/150

SINEWAVE FORM		SYMBOL	UNITS	TYPE OF WINDING XX = preferential winding			
				12	15	16	17
MOTOR SPEED	Vn drive 145 V (ac) 3phase		[ m/s ]	4.5	2	1.5	1.1
	Vn drive 230 V (ac) 3phase		[ m/s ]		3	2	1.5
	Vn drive 400 V (ac) 3phase		[ m/s ]		5	4	3
<b>COMMON RATINGS</b>							
	Voltage constant ± 5%	Ke	[Vrms/m/s]	24	55	72	97
	Pole pitch	P	[mm]		12		
	Temperature range	Tr	[°C]		0 ÷ 40°		
<b>SKA DDL 50.75</b>							
MOTOR RATINGS	Continuous force( 0 m/s )	Fn0	[ N ]		75		
	Peak force	Fmax	[ N ]		247		
	Force constant ± 5%	Kf	[N/Arms]	40	91	121	
	Rated current ( 0 m/s )	In0	[Arms]	1.88	0.82	0.62	
	Peak current	I fmax	[Arms]	7.5	3.28	2.48	
	Phase/phase res. ± 5% a 20°C	Rff	[Ohm]	6.0	32	55	
	Phase/phase inductance	Lff	[mH]	21	111	190	
	Electrical time constant	Te	[msec]		3.5		
	Attraction force	Fm	[ N ]		430		
	Power loss	Pd	[ W ]		45		
	Thermal resistance	Rth	[°C/W]		2.0		
	Motor constant	Km	[N/√W]		11.2		
	<b>SKA DDL 50.150</b>						
	Continuous force( 0 m/s )	Fn0	[ N ]		150		
	Peak force	Fmax	[ N ]		495		
	Force constant ± 5%	Kf	[N/Arms]	40	91	161	
	Rated current ( 0 m/s )	In0	[Arms]	3.76	1.64	0.93	
	Peak current	I fmax	[Arms]	15	6.56	3.72	
	Phase/phase res. ± 5% a 20°C	Rff	[Ohm]	3.0	16	49	
	Phase/phase inductance	Lff	[mH]	11	55	172	
	Electrical time constant	Te	[msec]		3.5		
	Attraction force	Fm	[ N ]		860		
	Power loss	Pd	[ W ]		90		
	Thermal resistance	Rth	[°C/W]		1.0		
	Motor constant	Km	[N/√W]		15.8		
THERMAL PROTECTION	Type of thermal cut-off				N C : normally closed		
	Rated voltage	Vn	[ Vac ]		250		
	Rated current	In	[ A ]		2.5		
	Operative temperature	Tn	[ °C ]		130 °C ± 5%		
	Resetting temperature	Tr	[ °C ]		100 °C ± 15°C		
	Operative time		[ ms ]		1		
	Insulation class				F		

Datasheet n°: SKADDL-2012-04-17

SERIES

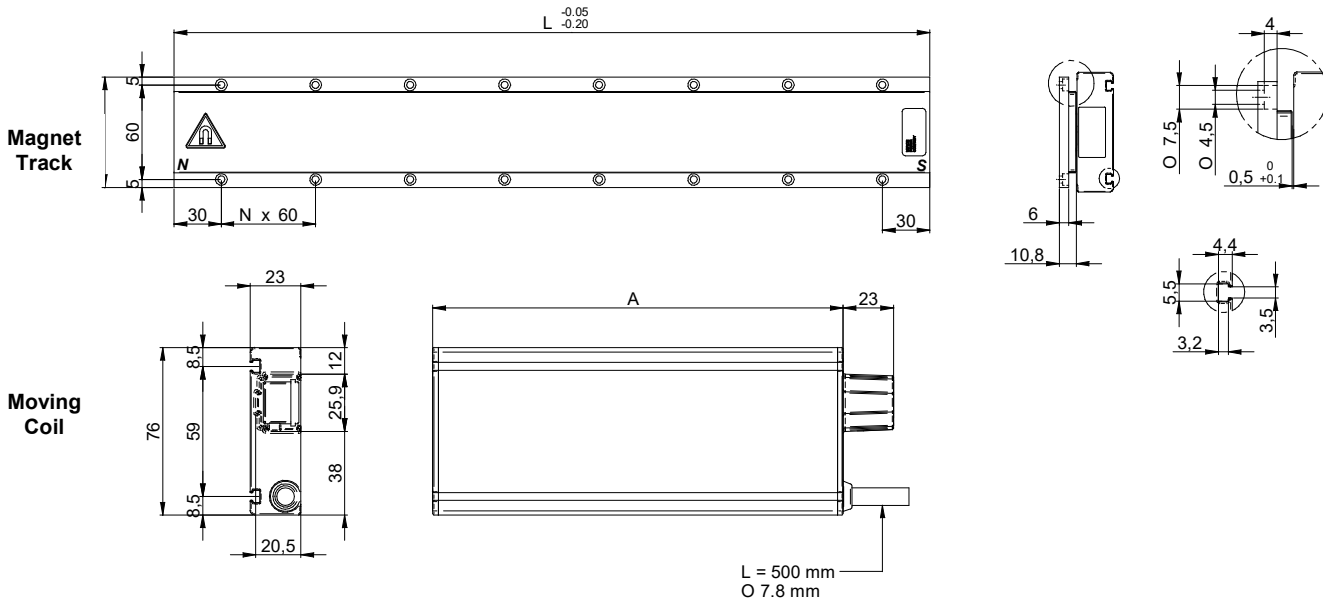
**SKA**

**DDL 50**

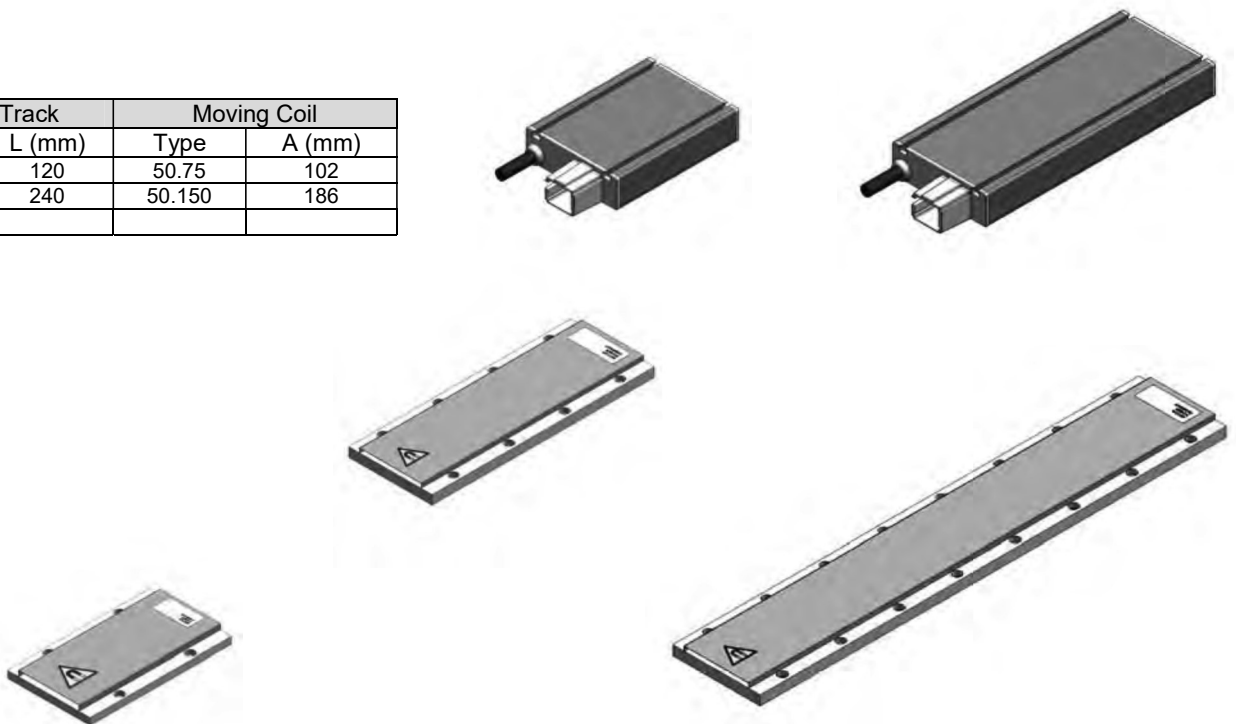
FORCE [N]

**75/150**

**MOTOR DIMENSIONS**



Magnet Track		Moving Coil	
Type	L (mm)	Type	A (mm)
50-120	120	50.75	102
50-240	240	50.150	186



Datasheet n°: SKADDL-2008-03-00