

SERIES

SKA DDL 30.40 – 30.80

FORCE [N]

40/80

SINEWAVE FORM		SYMBOL	UNITS	TYPE OF WINDING XX = preferential winding			
				12	14	15	16
MOTOR SPEED	Vn drive 145 V (ac) 3phase		[m/s]	4.5	3	2	1.5
	Vn drive 230 V (ac) 3phase		[m/s]		4.5	3	2
	Vn drive 400 V (ac) 3phase		[m/s]			5	4
COMMON RATINGS							
	Voltage constant ± 5%	Ke	[Vrms/m/s]	24	36	55	72
	Pole pitch	P	[mm]	12			
	Temperature range	Tr	[°C]	0 ÷ 40°			
SKA DDL 30.40							
MOTOR RATINGS	Continuous force(0 m/s)	Fn0	[N]	40			
	Peak force	Fmax	[N]	134.8			
	Force constant ± 5%	Kf	[N/Arms]	40	60	91	
	Rated current (0 m/s)	In0	[Arms]	1	0.67	0.44	
	Peak current	I fmax	[Arms]	4	2.7	1.76	
	Phase/phase res. ± 5% a 20°C	Rff	[Ohm]	12	26	58	
	Phase/phase inductance	Lff	[mH]	35	78	180	
	Electrical time constant	Te	[msec]	3.0			
	Attraction force	Fm	[N]	260			
	Power loss	Pd	[W]	26			
	Thermal resistance	Rth	[°C/W]	3.5			
	Motor constant	Km	[N/√W]	7.84			
SKA DDL 30.80							
	Continuous force(0 m/s)	Fn0	[N]	80			
	Peak force	Fmax	[N]	269.6			
	Force constant ± 5%	Kf	[N/Arms]	40	60	91	121
	Rated current (0 m/s)	In0	[Arms]	2	1.33	0.88	0.66
	Peak current	I fmax	[Arms]	8	5.33	3.51	2.64
	Phase/phase res. ± 5% a 20°C	Rff	[Ohm]	6.0	13	29	52
	Phase/phase inductance	Lff	[mH]	18	39	90	156
	Electrical time constant	Te	[msec]	3.0			
	Attraction force	Fm	[N]	520			
	Power loss	Pd	[W]	52			
	Thermal resistance	Rth	[°C/W]	1.75			
	Motor constant	Km	[N/√W]	11.1			
THERMAL PROTECTION	Type of thermal cut-off	N C : normally closed					
	Rated voltage	Vn	[Vac]	250			
	Rated current	In	[A]	2.5			
	Operative temperature	Tn	[°C]	130 °C ± 5%			
	Resetting temperature	Tr	[°C]	100 °C ± 15°C			
	Operative time		[ms]	1			
	Insulation class			F			

Datasheet n°: SKADDL-2012-04-17

SERIES

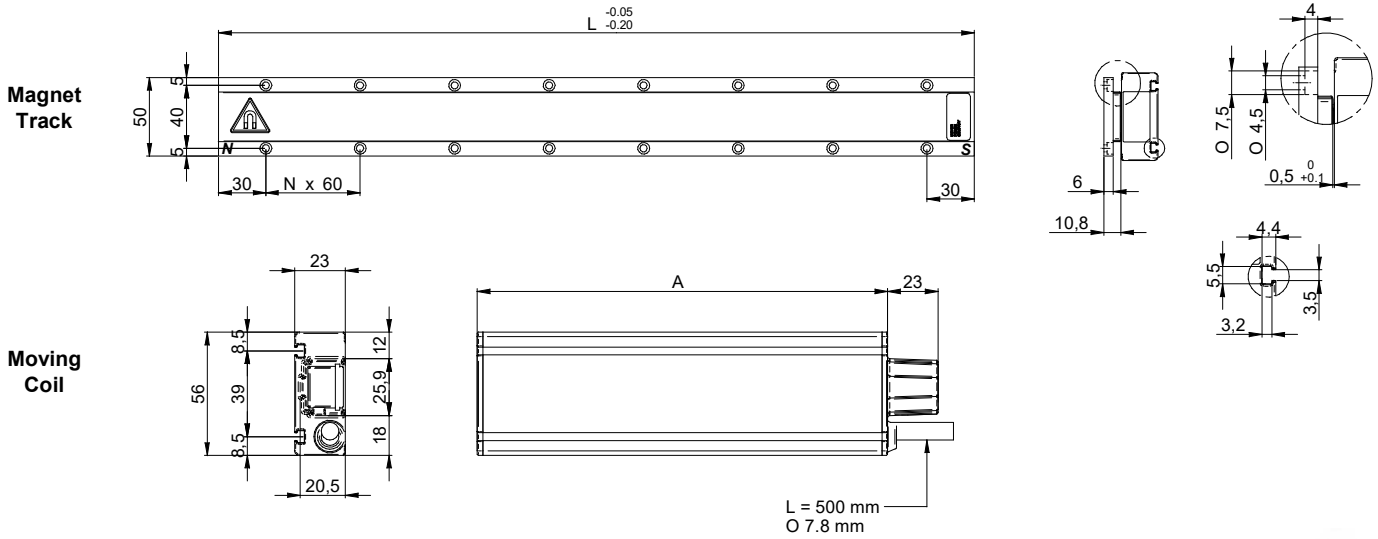
SKA

DDL 30

FORCE [N]

40/80

MOTOR DIMENSIONS



Magnet Track		Moving Coil	
Type	L (mm)	Type	A (mm)
30-120	120	30.40	102
30-240	240	30.80	186

