

SERIES

# SKA DDL 125.2000

FORCE [N]  
**2000**

SINEWAVE FORM		SYMBOL	UNITS	TYPE OF WINDING XX = preferential winding			
				17			
MOTR SPEED	Vn drive 145 V (ac) 3phase		[ m/s ]	1.1			
	Vn drive 230 V (ac) 3phase		[ m/s ]	1.5			
	Vn drive 400 V (ac) 3phase		[ m/s ]	3			

COMMON RATINGS							
	Voltage constant ± 5%	Ke	[Vrms/m/s]	97			
	Pole pitch	P	[mm]	24			
	Temperature range	Tr	[°C]	0 ÷ 40°			

SKA DDL 125.2000							
MOTOR RATINGS	Continuous force( 0 m/s )	Fn0	[ N ]	2000			
	Peak force	Fmax	[ N ]	6000			
	Force constant ± 5%	Kf	[N/Arms]	151			
	Rated current ( 0 m/s )	In0	[Arms]	13.57			
	Peak current	I fmax	[Arms]	52.9			
	Phase/phase res. ± 5% a 20°C	Rff	[Ohm]	1.55			
	Phase/phase inductance	Lff	[mH]	29			
	Electrical time constant	Te	[msec]	19			
	Attraction force	Fm	[ N ]	9826			
	Power loss	Pd	[ W ]	600			
	Thermal resistance	Rth	[°C/W]	0.15			
	Motor constant	Km	[N/√W]	81.6			

	Continuous force( 0 m/s )	Fn0	[ N ]				
	Peak force	Fmax	[ N ]				
	Force constant ± 5%	Kf	[N/Arms]				
	Rated current ( 0 m/s )	In0	[Arms]				
	Peak current	I fmax	[Arms]				
	Phase/phase res. ± 5% a 20°C	Rff	[Ohm]				
	Phase/phase inductance	Lff	[mH]				
	Electrical time constant	Te	[msec]				
	Attraction force	Fm	[ N ]				
	Power loss	Pd	[ W ]				
	Thermal resistance	Rth	[°C/W]				
	Motor constant	Km	[N/√W]				

THERMAL PROTECTION	Type of thermal cut-off			N C : normally closed
	Rated voltage	Vn	[ Vac ]	250
	Rated current	In	[ A ]	2.5
	Operative temperature	Tn	[ °C ]	130 °C ± 5%
	Resetting temperature	Tr	[ °C ]	100 °C ± 15°C
	Operative time		[ ms ]	1
	Insulation class			F

Datasheet n°: SKADDL – 2008-03-00

SERIES

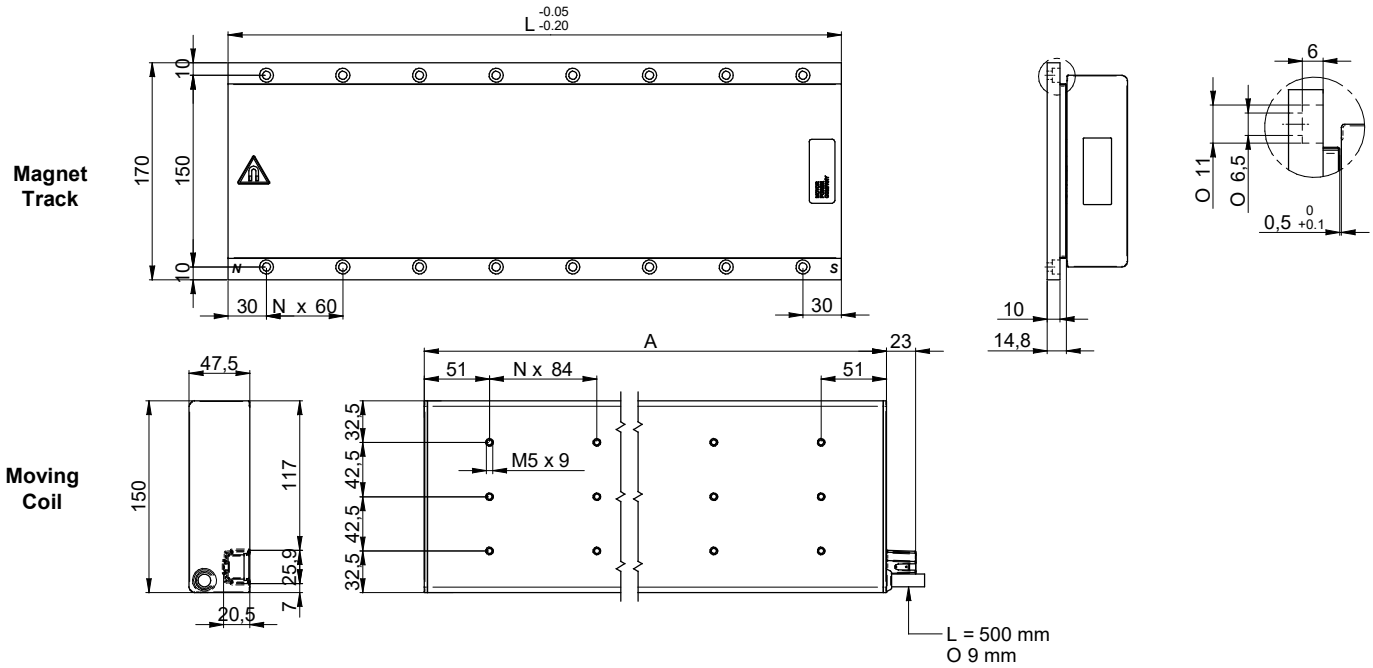
**SKA**

**DDL 125**

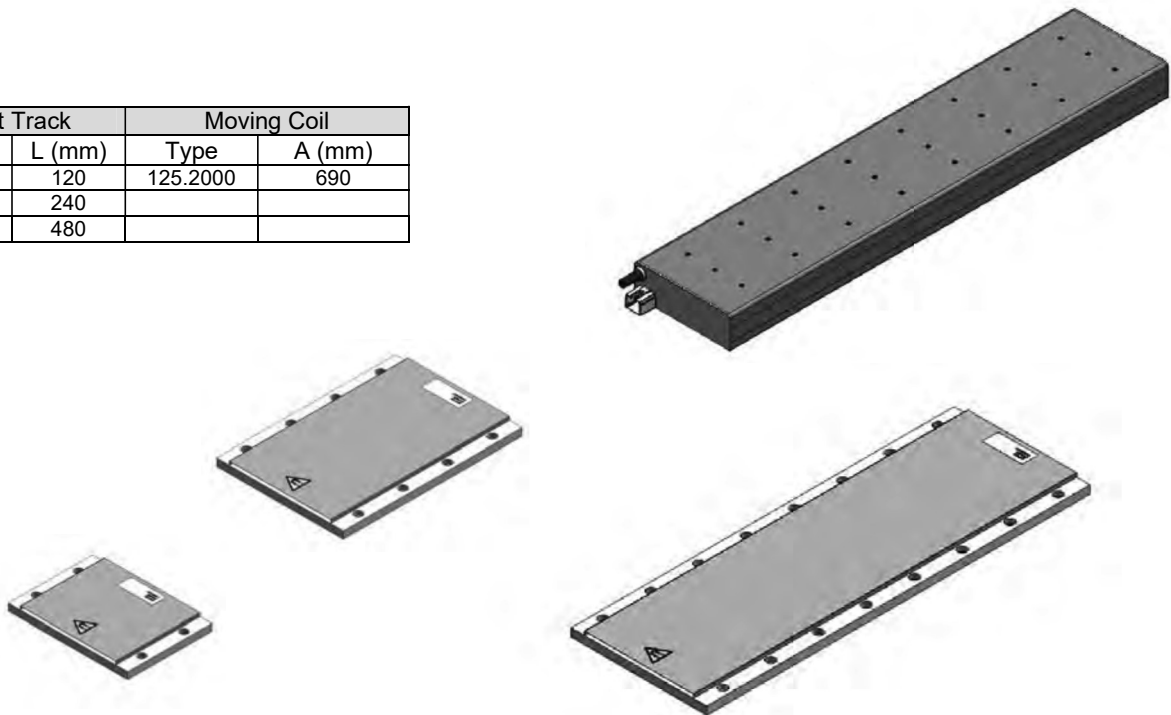
FORCE [N]

**2000**

**MOTOR DIMENSIONS**



Magnet Track		Moving Coil	
Type	L (mm)	Type	A (mm)
125-120	120	125.2000	690
125-240	240		
125-480	480		



Datasheet n°: SKADDL-2008-03-00