



ROK – WORM GEARMOTORS

A series of worm gearmotors directly equipped with d.c. motors, with an extraordinary durability, wear resistance and small dimensions. Featuring a casehardened and ground profile worm screw and an extremely silent, high-efficiency bronze-tin ring gear, allow to reach notable advantages.

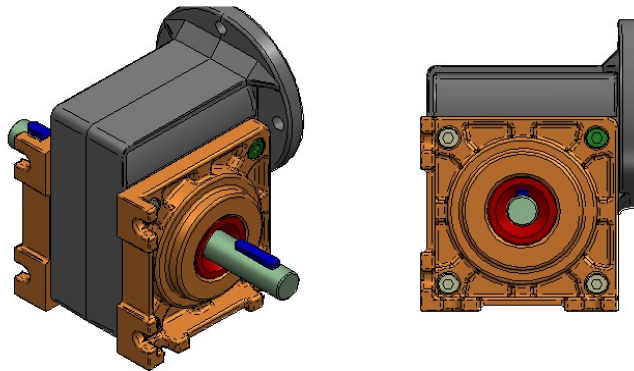
FEATURE

Worm gear center distance 31, 33, 40, 50 mm

CE certified

High efficiency

Direct coupling between motor and gearbox



<i>Gearbox type</i>	<i>Ratio</i>	<i>Rated torque (Nm)</i>	<i>Peak torque (Nm)</i>	<i>Rated speed input (Rpm)</i>	<i>Axial load (N)</i>	<i>Radial load (N)</i>
ROK 31	7 : 100	10	15	3000	80	120
ROK 33	7 : 75	13	20	3000	100	140
ROK 40	20-36-80	-	-	3000	-	-
ROK 50	35	-	-	3000	-	-

The worm gearboxes series ROK are exclusively available combined with Motor Power Company motors and servomotors.