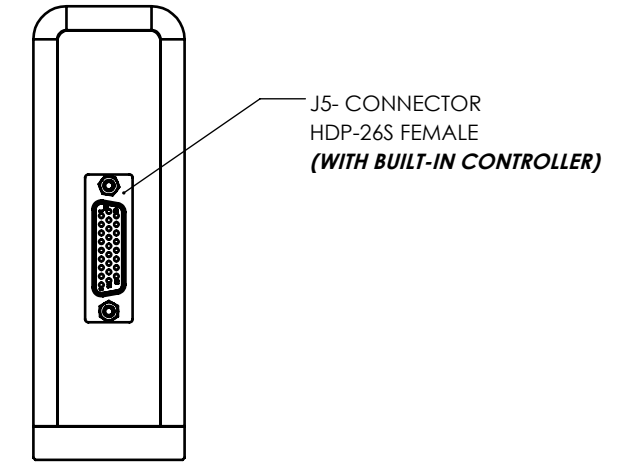
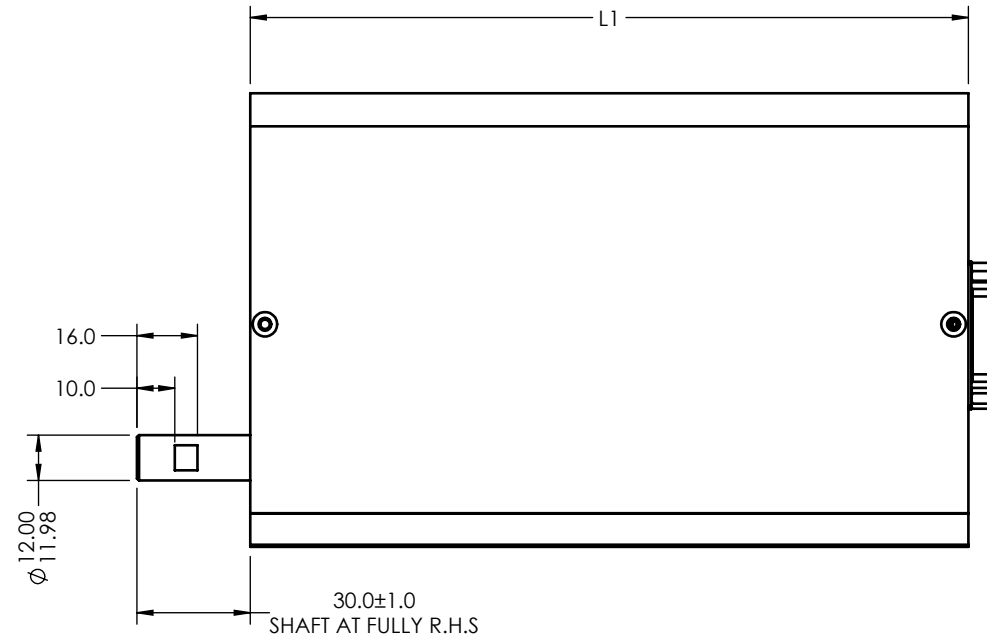
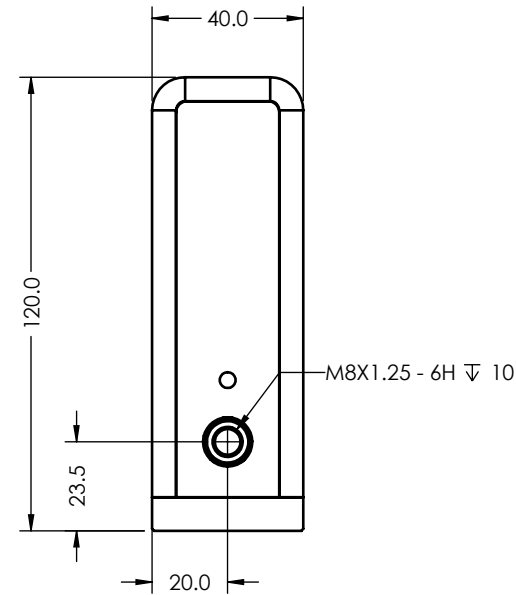


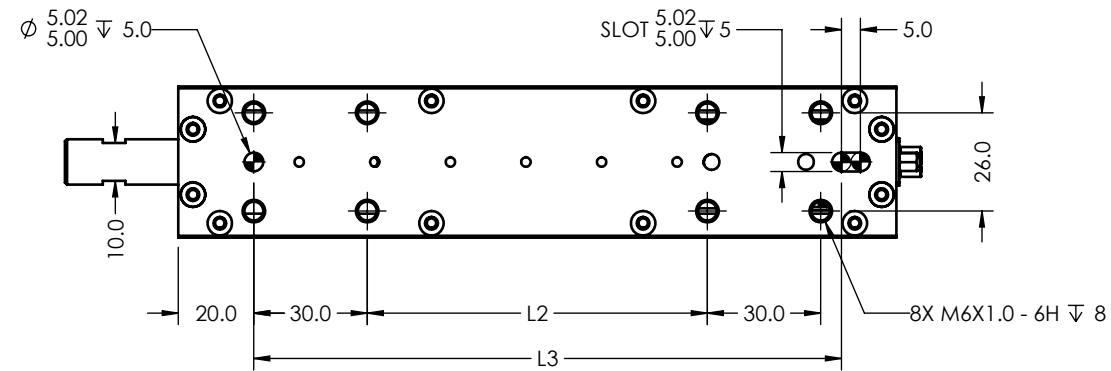
NOTES (UNLESS OTHERWISE SPECIFIED)

- 1. LINEAR SPECIFICATIONS:
  - ENC. RESOLUTION(+A/-A;+B/-B): 5, 1, 0.5 um
  - ENCODER REPEATABILITY: ± 3 encoder counts
  - INDEX LOCATION(+Z/-Z): 2 ± 1 TO R.H.S
  - OPERATING VOLTAGE: 48 Vdc
  - POLE PITCH: 47.8mm
- 2. VACUUM OPTION: YES
- 3. SPRING OPTION: TBD
- 4. OPERATING TEMPERATURE: 0°C TO 40°C
- 5. PLATING: BLACK CERAKOTE
- 6. ALL DIMENSIONS AND DETAIL SPECT MAY SUBJECT TO CHANGE WHEN PROTOTYPE

REVISIONS				
REV	ECR	DESCRIPTION	DATE	APPROVED
D	-	UPDATED PINOUT & FLAT LOCATION ON SHAFT	1/7/2022	HE



WITH BUILT-IN CONTROLLER	
J5- HDP-26S FEMALE CONN.	
PIN	DETAIL
1	STO1
2	AN_OUT
3	GPI0
4	GPI1
5	GPO0
6	GPO1
7	RS-232 GND
8	RX
9	TX
10	STO2
11	AN_IN+
12	AN_IN-
13	GPI2
14	GPI3
15	GPO2
16	GPO3
17	SUPPLY- (0V)
18	SUPPLY- (0V)
19	5V
20	GND
21	STO COMMON
22	INPUT COMMON (0V)
23	STO_FB
24	OUTPUT SOURCE VOLTAGE (+24V)
25	SUPPLY+ (+24V TO +48V)
26	SUPPLY+ (+24V TO +48V)



No	UNIT	DETAILS	LDL40C-025-3Y-3	LDL40C-050-3Y-3	LDL40C-075-3Y-3	LDL40C-100-3Y-3
1	mm	LINEAR STROKE	25	50	75	100
2	N	PEAK FORCE	90	90	90	90
3	N/A	FORCE CONST	40	40	40	40
4	A	PEAK CURRENT	2.5	2.5	2.5	2.5
5	Ohm	TERM. RESISTANCE	22	22	22	22
6	mH	INDUCTANCE	6	6	6	6
7	kg	MOVING MASS	0.45	0.47	0.49	0.51
8	kg	TOTAL MASS	4.0	4.5	5.2	5.6
9	mm	DMENSION L1	190	225	250	285
10	mm	DIMENSION L2	90	125	150	185
11	mm	DIMENSION L3	155.5	190.5	215.5	250.5

REF. NUMBER	LDL40C
CONTRACT	LDL40C

UNLESS OTHERWISE SPECIFIED  
 ALL DIMENSIONS ARE IN MM  
 BREAK EDGES AND REMOVE BURRS  
 TOLERANCES  
 X: ±0.5 X.X: ±0.1  
 X.XX: ±0.03 ANGLE: ±0.1°  
 CONCENTRICITY: ±0.025  
 ROUNDNESS: ±0.025  
 EDGE BREAKS: 0.2 MAX  
 ALL DIMENSIONS AND TOLERANCES ARE FINAL

MATERIAL:  
 FINISH:  
 MACHINE FINISH: 1.6  
 INTERPRET PER: ASME Y14.5-2009  
 THIRD ANGLE PROJECTION

NAME	DATE
DWN BY: TV	09/20/21
CHK BY: TV	09/20/21
ENG APP: TV	11/23/21
MFG APP:	
QA APP:	

**SMAC** 5807 VAN ALLEN WAY CARLSBAD CA, 92008 (760) 929-7588

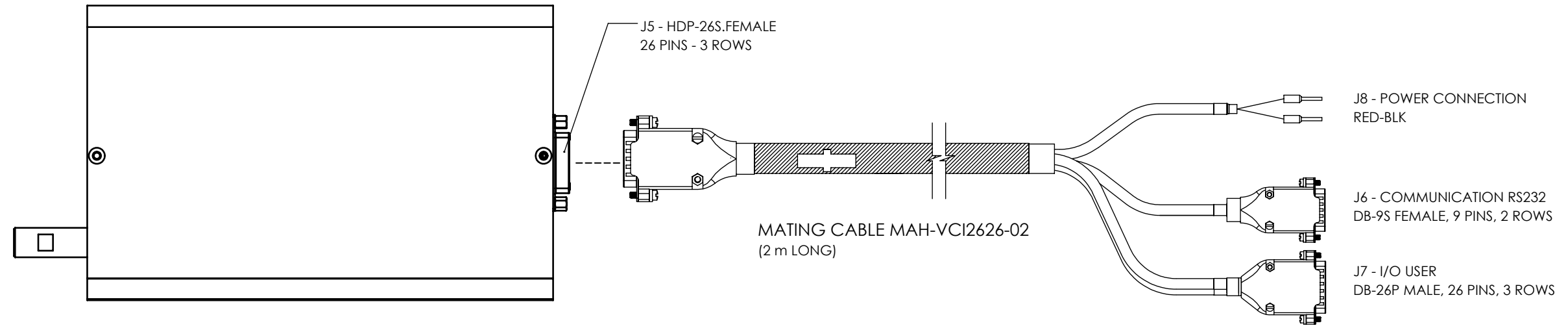
MOVING COIL ACTUATORS

LINEAR ACTUATOR WITH BUILT-IN CONTROLLER

SIZE: B PART NO: LDL40C-XXX-3Y-3 REV: D

SCALE: 1:2 DO NOT SCALE SHEET: 1 / 2

REVISIONS				
REV	ECR	DESCRIPTION	DATE	APPROVED
D	-	UPDATED PINOUT & FLAT LOCATION ON SHAFT	1/7/2022	HE



J5 - HDP-26S FEMALE CONN.	
PIN	DETAIL
1	STO1
2	AN_OUT
3	GPI0
4	GPI1
5	GPO0
6	GPO1
7	RS-232 GND
8	RX
9	TX
10	STO2
11	AN_IN+
12	AN_IN-
13	GPI2
14	GPI3
15	GPO2
16	GPO3
17	SUPPLY- (0V)
18	SUPPLY- (0V)
19	5V
20	GND
21	STO COMMON
22	INPUT COMMON (0V)
23	STO_FB
24	OUTPUT SOURCE VOLTAGE (+24V)
25	SUPPLY+ (+24V TO +48V)
26	SUPPLY+ (+24V TO +48V)

J7 - HDP-26P MALE CONN.	
PIN	DETAIL
1	INPUT COMMON (0V)
2	OUTPUT SOURCE VOLTAGE (+24V)
3	GPI2
4	GPI0
5	GND
6	STO_FB
7	AN_OUT
8	GPO2
9	GPO0
10	STO2
11	STO1
12	GPI3
13	GPI1
14	GND
15	NC
16	NC
17	GPO3
18	GPO1
19	+5V
20	+5V
21	+5V
22	+5V
23	GND
24	AN_IN+
25	AN_IN-
26	STO COMMON

J6 - DB-9S CONN.	
PIN	DETAIL
1	NC
2	TX
3	RX
4	NC
5	GND
6	NC
7	NC
8	NC
9	NC

J8 - FERRULE	
COLOR	DETAIL
RED	POWER +
BLK	POWER -

REF. NUMBER	LDL40C
CONTRACT	LDL40C

<p><b>UNLESS OTHERWISE SPECIFIED</b></p> <p>ALL DIMENSIONS ARE IN MM BREAK EDGES AND REMOVE BURRS</p> <p>TOLERANCES X: ±0.5 X.X: ±0.1 X.XX: ±0.03 ANGLE: ±0.1° CONCENTRICITY: ±0.025 ROUNDNESS: ±0.025 EDGE BREAKS: 0.2 MAX</p> <p>ALL DIMENSIONS AND TOLERANCES ARE FINAL</p>	MATERIAL:	NAME	DATE	<p><b>SMAC</b></p> <p>5807 VAN ALLEN WAY CARLSBAD CA, 92008 (760) 929-7588</p>
	FINISH:	DWN BY	TV 09/20/21	
	MACHINE FINISH: 1.6	CHK BY	TV 09/20/21	
	INTERPRET PER: ASME Y14.5-2009	ENG APP	TV 11/23/21	
THIRD ANGLE PROJECTION	<p>PROPRIETARY AND CONFIDENTIAL</p> <p>THE INFORMATION CONTAINED IN THIS DRAWING IS THE SOLE PROPERTY OF SMAC. ANY REPRODUCTION IN PART OR AS A WHOLE WITHOUT THE WRITTEN PERMISSION OF SMAC IS PROHIBITED.</p>		<p>SIZE: B</p> <p>PART NO: LDL40C-XXX-3Y-3</p> <p>SCALE: 1:1.25</p> <p>DO NOT SCALE</p>	<p>REV: D</p> <p>SHEET: 2 / 2</p>