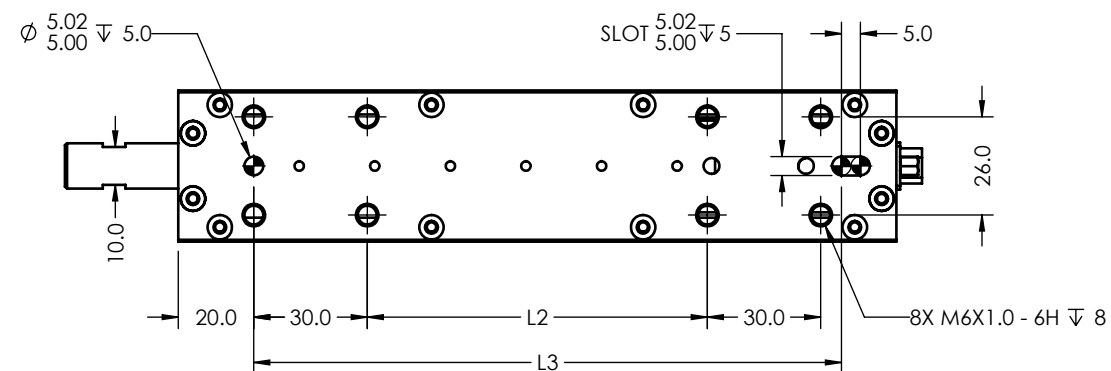
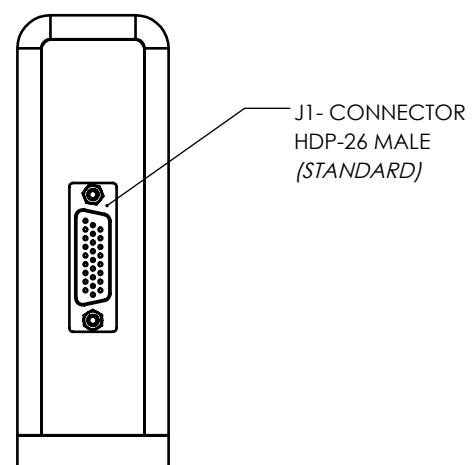
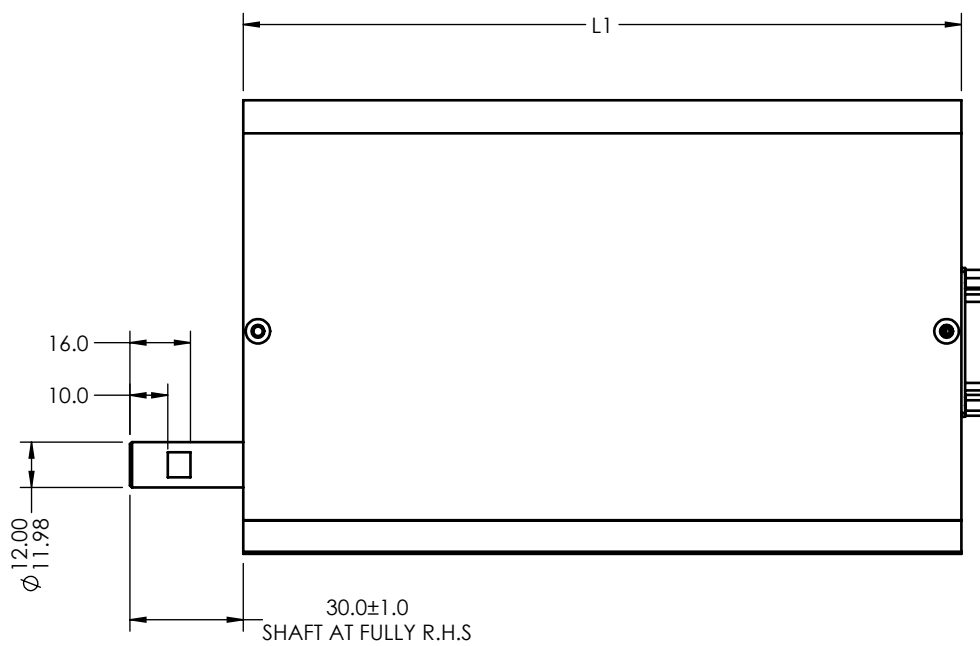
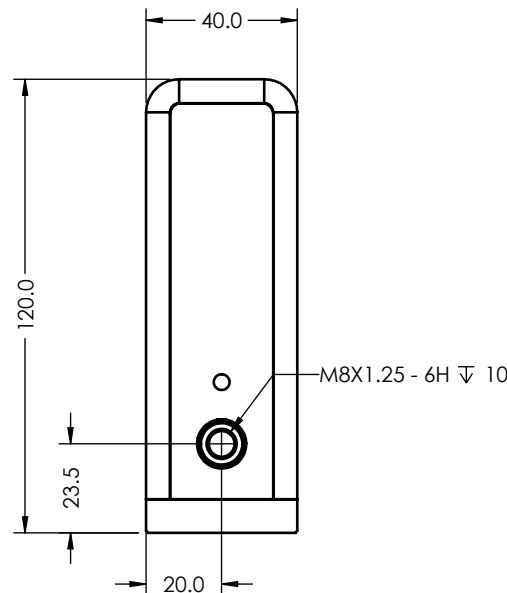


NOTES (UNLESS OTHERWISE SPECIFIED)

- 1. LINEAR SPECIFICATIONS:
 - ENC. RESOLUTION(+A/-A;+B/-B): 5, 1, 0.5 um
 - ENCODER REPEATABILITY: ± 3 encoder counts
 - INDEX LOCATION(+Z/-Z): 2 ± 1 TO R.H.S
 - OPERATING VOLTAGE: 48 Vdc
 - POLE PITCH: 47.8mm
- 2. VACUUM OPTION: YES
- 3. SPRING OPTION: TBD
- 4. OPERATING TEMPERATURE: 0°C TO 40°C
- 5. PLATING: BLACK CERAKOTE
- 6. ALL DIMENSIONS AND DETAIL SPECT MAY SUBJECT TO CHANGE WHEN PROTOTYPE

REVISIONS				
REV	ECR	DESCRIPTION	DATE	APPROVED
D	-	UPDATED PINOUT & FLAT LOCATION ON SHAFT	1/7/2022	HE



J1- HDP-26P MALE CONN.	
PIN No	HDB-26P
1	(L) PH. A+
2	(L) PH. B+
3	(L) PH. Z+
4	NC
5	NC
6	NC
7	NC
8	NC
9	NC
10	(L) PH. A-
11	(L) PH. B-
12	(L) PH. Z-
13	NC
14	NC
15	NC
16	NC
17	NC
18	NC
19	+5 VDC
20	5V RTN
21	NC
22	L. COIL (U)
23	L. COIL (V)
24	L.COIL (W)
25	NC
26	NC

No	UNIT	DETAILS	LDL40-025-3Y-3	LDL40-050-3Y-3	LDL40-075-3Y-3	LDL40-100-3Y-3
1	mm	LINEAR STROKE	25	50	75	100
2	N	PEAK FORCE	90	90	90	90
3	N/A	FORCE CONST	40	40	40	40
4	A	PEAK CURRENT	2.5	2.5	2.5	2.5
5	Ohm	TERM. RESISTANCE	22	22	22	22
6	mH	INDUCTANCE	6	6	6	6
7	kg	MOVING MASS	0.45	0.47	0.49	0.51
8	kg	TOTAL MASS	4.0	4.0	4.5	5.2
9	mm	DMENSION L1	190	190	225	250
10	mm	DIMENSION L2	90	90	125	150
11	mm	DIMENSION L3	155.5	155.5	190.5	215.5

REF. NUMBER	LDL40
CONTRACT	LDL40

UNLESS OTHERWISE SPECIFIED
 ALL DIMENSIONS ARE IN MM
 BREAK EDGES AND REMOVE BURRS
 TOLERANCES
 X: ±0.5 X.X: ±0.1
 X.XX: ±0.03 ANGLE: ±0.1°
 CONCENTRICITY: ±0.025
 ROUNDNESS: ±0.025
 EDGE BREAKS: 0.2 MAX
 ALL DIMENSIONS AND TOLERANCES ARE FINAL

MATERIAL:	NAME	DATE
FINISH:	DWN BY	TV 09/20/21
MACHINE FINISH: 1.6/	CHK BY	TV 09/20/21
INTERPRET PER: ASME Y14.5-2009	ENG APP	TV 11/23/21
THIRD ANGLE PROJECTION	MFG APP	
	QA APP	

SMAC 5807 VAN ALLEN WAY CARLSBAD CA, 92008 (760) 929-7588

MOVING COIL ACTUATORS

LINEAR ACTUATOR

SIZE: B PART NO: LDL40-XXX-3Y-3 REV: D

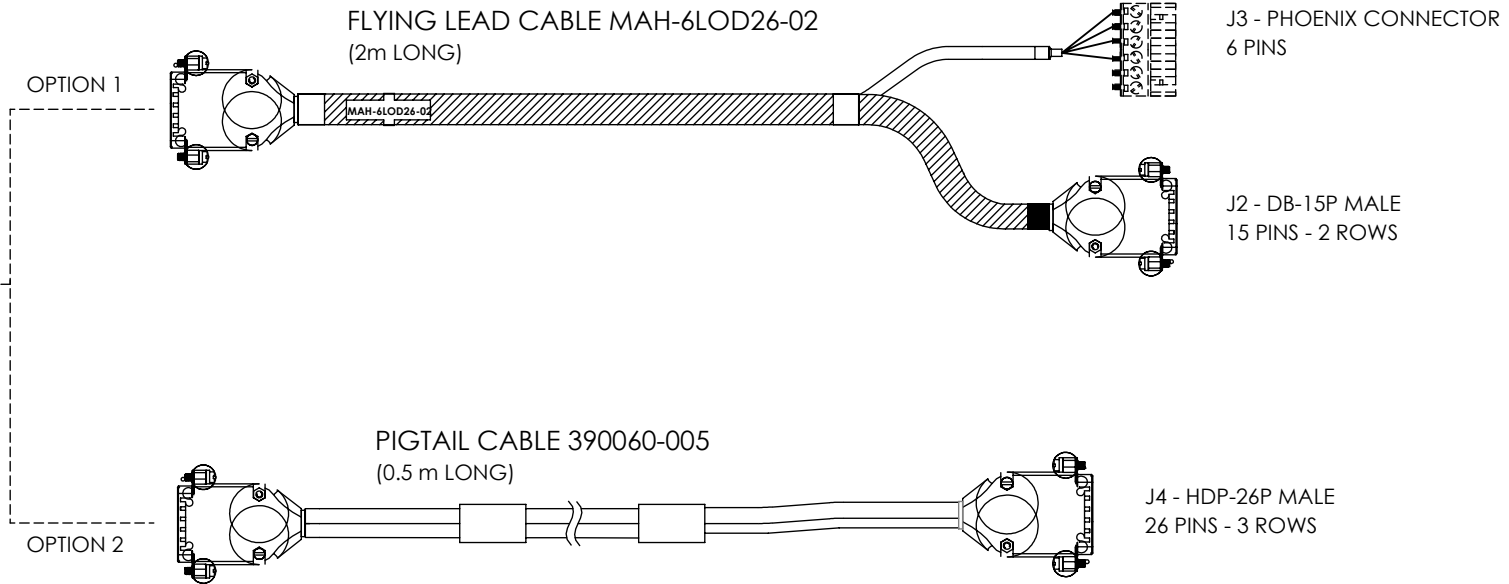
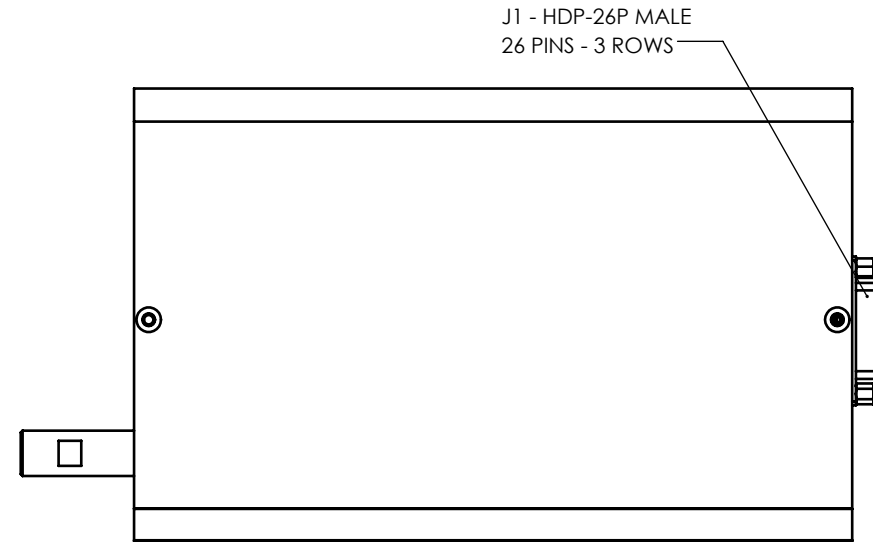
SCALE: 1:2 DO NOT SCALE SHEET: 1 / 2

REVISIONS				
REV	ECR	DESCRIPTION	DATE	APPROVED
D	-	UPDATED PINOUT & FLAT LOCATION ON SHAFT	1/7/2022	HE

CABLE OPTION

1. FLYING LEAD CABLE WITH D-SUB 26 (2 METER LG)
2. PIGTAIL EXTENSION CABLE (FROM HDP-26S FE. TO HDP-26P M.) (0.5 METER LG)
3. FLYING LEAD CABLE WITH D-SUB 15 (2 METER LG) (USE MOD)
4. PIGTAIL EXTENSION CABLE (FROM HDP-15S FE. TO HDP-26P M.) (0.5 METER LG) (USE MOD)
5. M12 CONNECTOR (CONSULT FACTORY)

ACTUATOR WITH D-SUB 26 PINS CONNECTOR



J1 & J4 - HDP-26P CONN.

PIN	DETAIL
1	PH. A+
2	PH. B+
3	PH. Z+
4	NC
5	NC
6	NC
7	NC
8	NC
9	NC
10	PH. A-
11	PH. B-
12	PH. Z-
13	NC
14	NC
15	NC
16	NC
17	NC
18	NC
19	+5VDC
20	5V RTN
21	NC
22	MU
23	MV
24	MW
25	NC
26	NC

J2 - DB-15P CONN.

PIN	DETAIL
1	A+
2	Z+
3	B+
4	+5VDC
5	NC
6	NC
7	NC
8	NC
9	A-
10	Z-
11	B-
12	5V RTN
13	NC
14	NC
15	NV

J3 - PHOENIX CONN.

PIN	DETAIL
1	GND
2	+V
3	MU
4	MV
5	MW
6	GND (SHIELD)

<p>UNLESS OTHERWISE SPECIFIED</p> <p>ALL DIMENSIONS ARE IN MM</p> <p>BREAK EDGES AND REMOVE BURRS</p> <p>TOLERANCES</p> <p>X: ±0.5 X.X: ±0.1</p> <p>XXX: ±0.03 ANGLE: ±0.1°</p> <p>CONCENTRICITY: ±0.025</p> <p>ROUNDNESS: ±0.025</p> <p>EDGE BREAKS: 0.2 MAX</p> <p>ALL DIMENSIONS AND TOLERANCES ARE FINAL</p>	MATERIAL:	NAME	DATE	<p>SMAC</p> <p>5807 VAN ALLEN WAY</p> <p>CARLSBAD CA, 92008</p> <p>(760) 929-7588</p>
	FINISH:	DWN BY	TV 09/20/21	
	MACHINE FINISH: 1.6	CHK BY	TV 09/20/21	
	INTERPRET PER: ASME Y14.5-2009	ENG APP	TV 11/23/21	
THIRD ANGLE PROJECTION	<p>PROPRIETARY AND CONFIDENTIAL</p> <p>THE INFORMATION CONTAINED IN THIS DRAWING IS THE SOLE PROPERTY OF SMAC. ANY REPRODUCTION IN PART OR AS A WHOLE WITHOUT THE WRITTEN PERMISSION OF SMAC IS PROHIBITED.</p>		<p>TITLE: LINEAR ACTUATOR</p> <p>SIZE: B PART NO: LDL40-XXX-3Y-3 REV: D</p> <p>SCALE: 1:1.25 DO NOT SCALE SHEET: 2 / 2</p>	

REF. NUMBER	LDL40
CONTRACT	LDL40