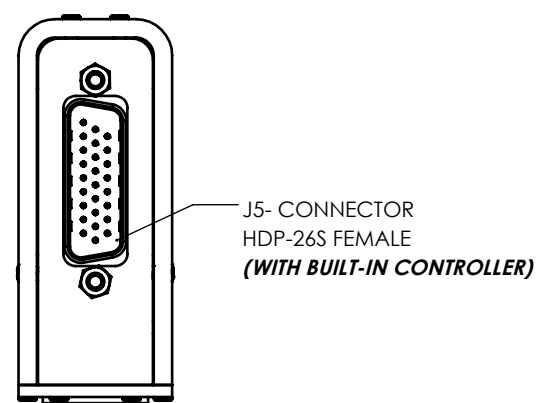
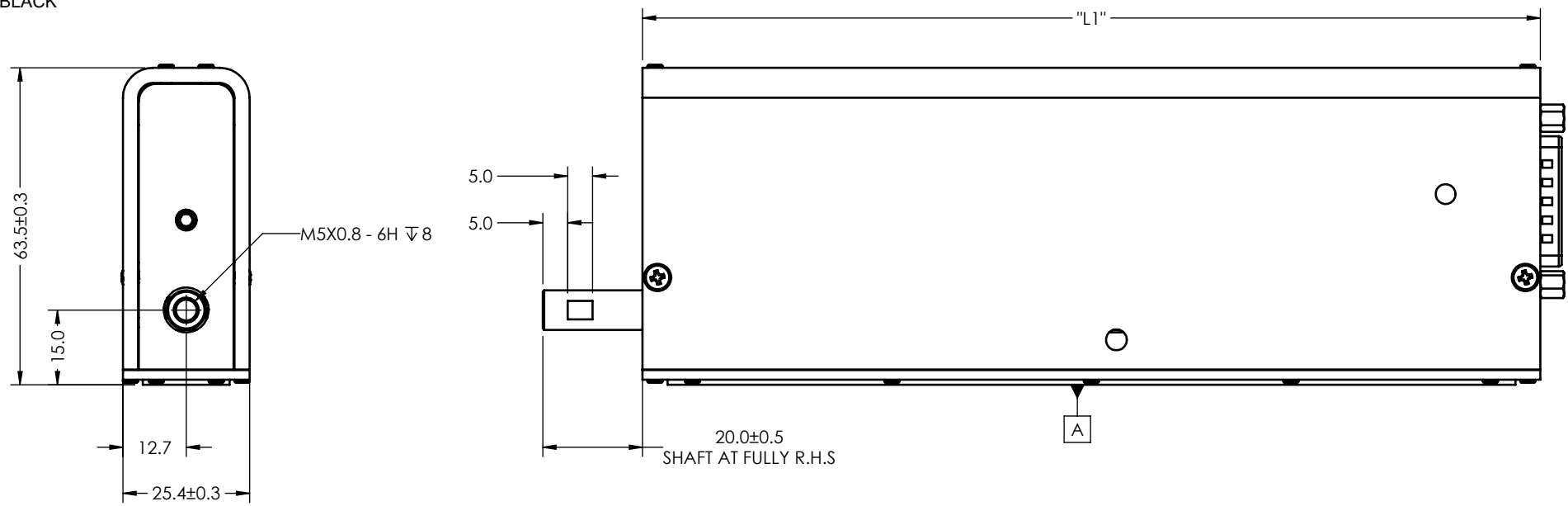


NOTES (UNLESS OTHERWISE SPECIFIED)

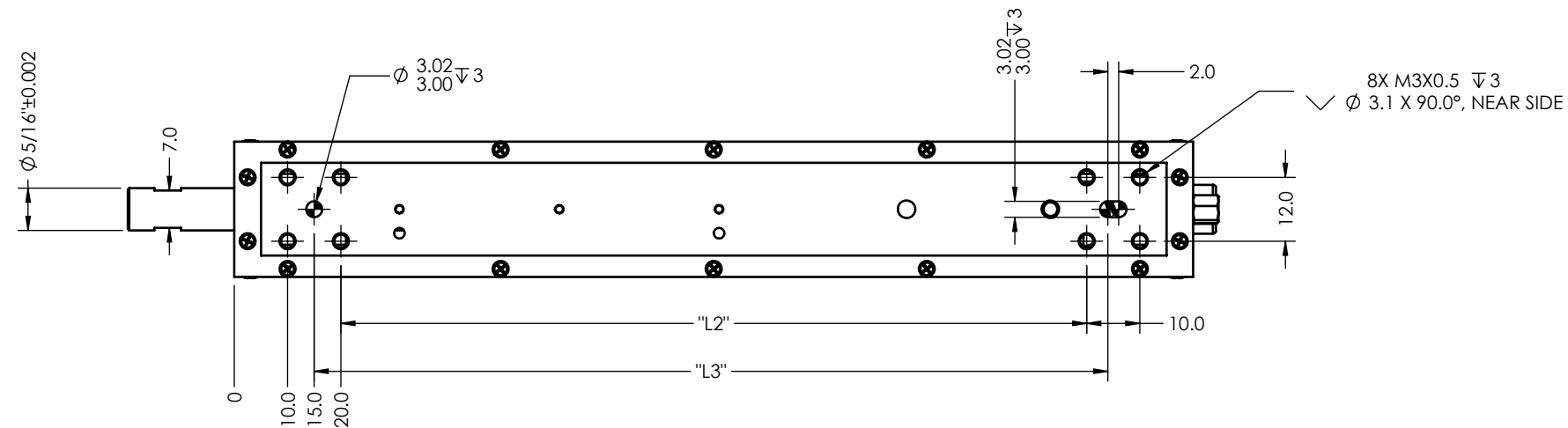
- 1. LINAR SPECIFICATIONS:
ENC. RESOLUTION(+A/-A;+B/-B): 5,1 um
ENCODER REPEATABILITY: 10, 2 um
INDEX LOCATION(+Z/-Z): 1.5 - 3.5 mm R.H.S
- 2. MAGNET POLE PITCH: 18.3 mm
- 3. OPERATING TEMPERATURE: 0°C TO 40°C
- 4. PLATING: CERAKOTE, COLOR BLACK

REVISIONS				
REV	ECR	DESCRIPTION	DATE	APPROVED
A3	-	UPDATED THE COIL SPECS	4/29/2021	TV
B	-	UPDATED SHAFT DIAMETER	5/11/2021	HE
C	-	UPDATED CABLE PINOUT	5/24/2021	VH
D	-	UPDATED DATA SHEET, ADDED 75MM STROKE	6/21/2021	HE
E	-	UPDATED DATA SHEET & PINOUT	11/18/2021	HE



WITH BUILT-IN CONTROLLER	
J5- HDP-26S FEMALE CONN.	
PIN	DETAIL
1	STO1
2	AN_OUT
3	GPI0
4	GPI1
5	GPO0
6	GPO1
7	RS-232 GND
8	RX
9	TX
10	STO2
11	AN_IN+
12	AN_IN-
13	GPI2
14	GPI3
15	GPO2
16	GPO3
17	SUPPLY- (0V)
18	SUPPLY- (0V)
19	5V
20	GND
21	STO COMMON
22	INPUT COMMON (0V)
23	STO_FB
24	OUTPUT SOURCE VOLTAGE (+24V)
25	SUPPLY+ (+24V TO +48V)
26	SUPPLY+ (+24V TO +48V)

VACCUM ** (FACTORY CHECK)



WITH BUILT-IN CONTROLLER								
No	DETAILS	UNIT	LDL25C-010-3X-6	LDL25C-025-3X-6	LDL25C-050-3X-6	LDL25C-075-3X-6	LDL25C-100-3X-6	
1	Linear stroke	mm	10	25	50	75	100	
2	Peak force	N	30	30	30	30	30	
3	Force constant	N/A	8.4	8.4	8.4	8.4	8.4	
4	Peak current	A	3.6	3.6	3.6	3.6	3.6	
5	Terminal resistance	Ohm	12.1	12.1	12.1	12.1	12.1	
6	Coil inductance	mH	1.1	1.1	1.1	1.1	1.1	
7	Moving mass	Kg	0.1	0.1	0.11	0.12	0.13	
8	Total mass	Kg	1.1	1.1	1.3	1.5	1.7	
9	Vacuum option		YES(**)	YES(**)	YES(**)	YES(**)	YES(**)	
10	Spring return opt		YES	YES	YES	YES	YES	
11	Dimension L1	mm	180	180	220	260	300	
12	Dimension L2	mm	140	140	180	220	260	
13	Dimension L3	mm	149	149	189	229	269	

REF. NUMBER	LDL25C
CONTRACT	STD

UNLESS OTHERWISE SPECIFIED
ALL DIMENSIONS ARE IN MM
BREAK EDGES AND REMOVE BURRS
TOLERANCES
X: ±0.5 X.X: ±0.1
X.XX: ±0.03 ANGLE: ±0.1°
CONCENTRICITY: ±0.025
ROUNDNESS: ±0.025
EDGE BREAKS: 0.2 MAX
ALL DIMENSIONS AND TOLERANCES ARE FINAL

MATERIAL:		NAME	DATE
FINISH:		DWN BY	HE 8/17/2021
MACHINE FINISH:	1.6	CHK BY	TV 8/17/2021
INTERPRET PER:	ASME Y14.5-2009	ENG APP	TV
		MFG APP	
		QA APP	

SMAC 5807 VAN ALLEN WAY CARLSBAD CA, 92008 (760) 929-7588

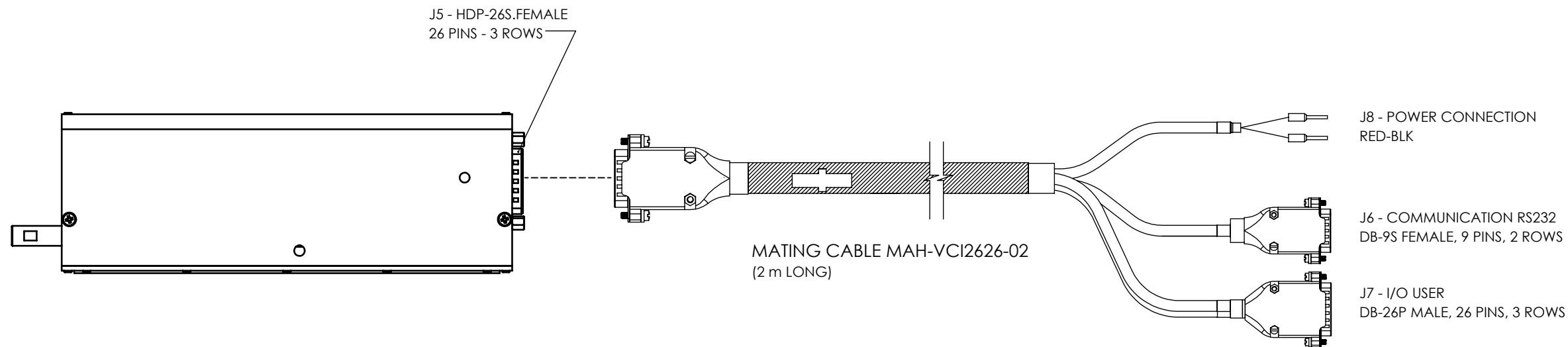
MOVING COIL ACTUATORS

TITLE: **LINEAR ACTUATOR WITH BUILT-IN CONTROLLER**

SIZE: **B** PART NO: **LDL25C-XXX-YY-6F** REV: **E**

SCALE: 1:1.25 **DO NOT SCALE** SHEET: 2 / 4

REVISIONS				
REV	ECR	DESCRIPTION	DATE	APPROVED
A3	-	UPDATED THE COIL SPECS	4/29/2021	TV
B	-	UPDATED SHAFT DIAMETER	5/11/2021	HE
C	-	UPDATED CABLE PINOUT	5/24/2021	VH
D	-	UPDATED DATA SHEET, ADDED 75MM STROKE	6/21/2021	HE
E	-	UPDATED DATA SHEET & PINOUT	11/18/2021	HE



J5 - HDP-26S FEMALE CONN.	
PIN	DETAIL
1	STO1
2	AN_OUT
3	GPI0
4	GPI1
5	GPO0
6	GPO1
7	RS-232 GND
8	RX
9	TX
10	STO2
11	AN_IN+
12	AN_IN-
13	GPI2
14	GPI3
15	GPO2
16	GPO3
17	SUPPLY- (0V)
18	SUPPLY- (0V)
19	5V
20	GND
21	STO COMMON
22	INPUT COMMON (0V)
23	STO_FB
24	OUTPUT SOURCE VOLTAGE (+24V)
25	SUPPLY+ (+24V TO +48V)
26	SUPPLY+ (+24V TO +48V)

J7 - HDP-26P MALE CONN.	
PIN	DETAIL
1	INPUT COMMON (0V)
2	OUTPUT SOURCE VOLTAGE (+24V)
3	GPI2
4	GPI0
5	GND
6	STO_FB
7	AN_OUT
8	GPO2
9	GPO0
10	STO2
11	STO1
12	GPI3
13	GPI1
14	GND
15	NC
16	NC
17	GPO3
18	GPO1
19	+5V
20	+5V
21	+5V
22	+5V
23	GND
24	AN_IN+
25	AN_IN-
26	STO COMMON

J6 - DB-9S CONN.	
PIN	DETAIL
1	NC
2	TX
3	RX
4	NC
5	GND
6	NC
7	NC
8	NC
9	NC

J8 - FERRULE	
COLOR	DETAIL
RED	POWER +
BLK	POWER -

REF. NUMBER	LDL25C
CONTRACT	STD

UNLESS OTHERWISE SPECIFIED
 ALL DIMENSIONS ARE IN MM
 BREAK EDGES AND REMOVE BURRS
 TOLERANCES
 X: ±0.5 X.X: ±0.1
 X.XX: ±0.03 ANGLE: ±0.1°
 CONCENTRICITY: ±0.025
 ROUNDNESS: ±0.025
 EDGE BREAKS: 0.2 MAX
 ALL DIMENSIONS AND TOLERANCES ARE FINAL

MATERIAL:
 FINISH:
 MACHINE FINISH: 1.6
 INTERPRET PER: ASME Y14.5-2009
 THIRD ANGLE PROJECTION

NAME	DATE
HE	8/17/2021
CHK BY	8/17/2021
ENG APP	TV
MFG APP	
QA APP	

SMAC 5807 VAN ALLEN WAY
 CARLSBAD CA, 92008
 (760) 929-7588

TITLE: **LINEAR ACTUATOR WITH BUILT-IN CONTROLLER**

SIZE: B PART NO: **LDL25C-XXX-YY-6F** REV: **E**

SCALE: 1:1.25 **DO NOT SCALE** SHEET: 4 / 4