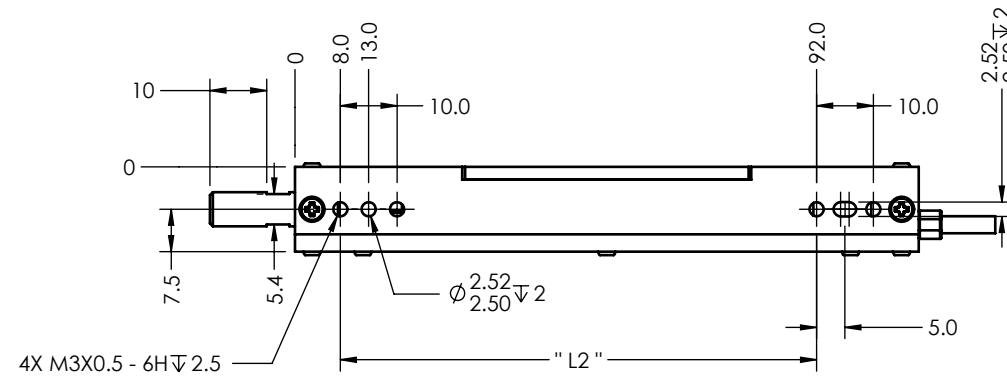
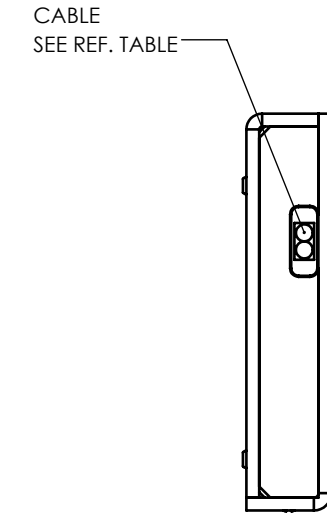
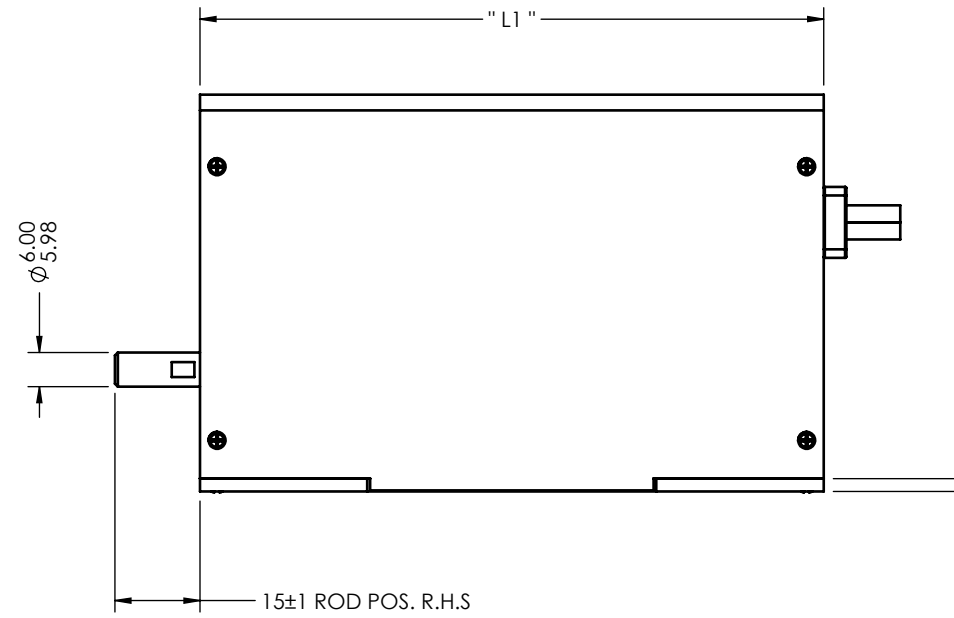
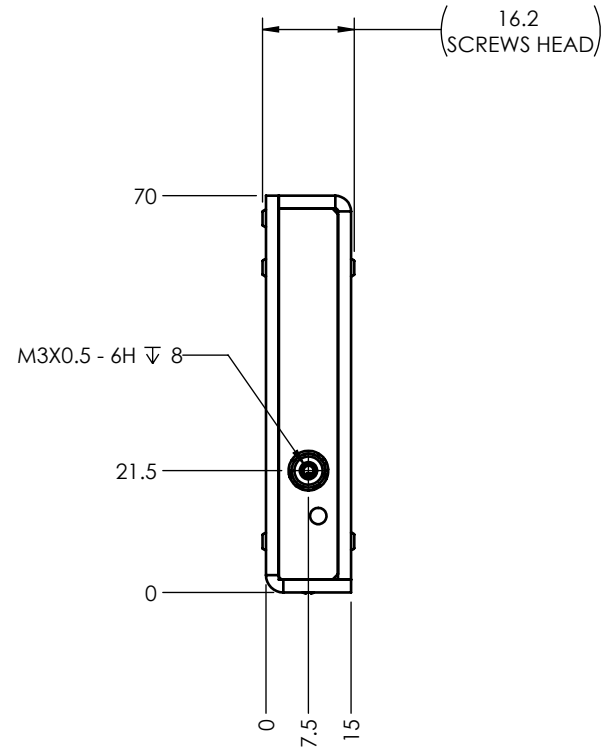


NOTES (UNLESS OTHERWISE SPECIFIED)

- 1. LINEAR SPECIFICATIONS:
ENC. RESOLUTION(+A/-A;+B/-B): 5,1 um
ENCODER REPEATABILITY: 20 um
INDEX LOCATION(+Z/-Z): 2mm, R.H.S
- 2. VACUUM OPTION: TBD
- 3. SPRING OPTION: OPTIONAL
- 4. OPERATING TEMPERATURE: 0°C TO 40°C
- 5. PLATING: BLACK CERAKOTE

REVISIONS				
REV	ECR	DESCRIPTION	DATE	APPROVED



CABLE PIG-TAIL (0.5m LG)

PIN No	HDB-26P
1	(L) PH. A+
2	(L) PH. B+
3	(L) PH. Z+
4	NC
5	NC
6	NC
7	NC
8	NC
9	NC
10	(L) PH. A-
11	(L) PH. B-
12	(L) PH. Z-
13	NC
14	NC
15	NC
16	NC
17	NC
18	NC
19	+5 VDC
20	5V RTN
21	(L) MOTOR+
22	(L) MOTOR+
23	(L) MOTOR-
24	(L) MOTOR-
25	NC
26	NC

No	UNIT	DETAILS	LDL15-010-5X-3	LDL15C-010-5X-3
1	mm	LINEAR STROKE	10	10
2	N	PEAK FORCE	15	15
3	N/A	FORCE CONST	4.4	4.4
4	A	PEAK CURRENT	3.4	3.4
5	Ohm	TERM. RESISTANCE	6.5	6.5
6	mH	INDUCTANCE	TBD	TBD
7	kg	MOVING MASS	0.070	0.075
8	kg	TOTAL MASS	0.500	0.680
9	mm	DMENSION L1	110	160
10	mm	DIMENSION L2	84	134

REF. NUMBER	LDL15-3X
CONTRACT	LDL15-010

UNLESS OTHERWISE SPECIFIED
ALL DIMENSIONS ARE IN MM
BREAK EDGES AND REMOVE BURRS
TOLERANCES
X: ±0.5 X.X: ±0.1
X.XX: ±0.03 ANGLE: ±0.1°
CONCENTRICITY: ±0.025
ROUNDNESS: ±0.025
EDGE BREAKS: 0.2 MAX
ALL DIMENSIONS AND TOLERANCES ARE FINAL

MATERIAL:	NAME	DATE
FINISH:	DWN BY	TV 11/10/21
MACHINE FINISH: 1.6/	CHK BY	TV 11/10/21
INTERPRET PER: ASME Y14.5-2009	ENG APP	TV 12/09/21
THIRD ANGLE PROJECTION	MFG APP	
	QA APP	

PROPRIETARY AND CONFIDENTIAL
THE INFORMATION CONTAINED IN THIS DRAWING IS THE SOLE PROPERTY OF SMAC. ANY REPRODUCTION IN PART OR AS A WHOLE WITHOUT THE WRITTEN PERMISSION OF SMAC IS PROHIBITED.

SMAC 5807 VAN ALLEN WAY
CARLSBAD CA, 92008
(760) 929-7588

MOVING COIL ACTUATORS

TITLE: **LDL15-XXX-YZ-3F**

SIZE: B PART NO: **LDL15-XXX-YZ-3F** REV: **D**

SCALE: 1:1 **DO NOT SCALE** SHEET: 1 / 2

REVISIONS				
REV	ECR	DESCRIPTION	DATE	APPROVED

CABLE: FLYING LEAD (3m LG)

J2 - DB-15P CONN.		J3 - PHOENIX CONN.	
PIN	DETAIL	PIN	DETAIL
1	A+	1	GND
2	Z+	2	+V
3	B+	3	MU
4	+5VDC	4	MV
5	NC	5	MW
6	NC	6	GND (SHIELD)
7	NC		
8	NC		
9	A-		
10	Z-		
11	B-		
12	5V RTN		
13	NC		
14	NC		
15	NV		

CABLE: FLYING LEAD (3m LG) BUILD-IN CONTROLLER

J7 - HDP-26P MALE CONN.		J6 - DB-9S CONN.		J8 - FERRULE	
PIN	DETAIL	PIN	DETAIL	COLOR	DETAIL
1	INPUT COMMON (0V)	1	NC	RED	POWER +
2	OUTPUT SOURCE VOLTAGE (+24V)	2	TX	BLK	POWER -
3	GPI2	3	RX		
4	GPI0	4	NC		
5	GND	5	GND		
6	STO_FB	6	NC		
7	AN_OUT	7	NC		
8	GPO2	8	NC		
9	GPO0	9	NC		
10	STO2				
11	STO1				
12	GPI3				
13	GPI1				
14	GND				
15	NC				
16	NC				
17	GPO3				
18	GPO1				
19	+5V				
20	+5V				
21	+5V				
22	+5V				
23	GND				
24	AN_IN+				
25	AN_IN-				
26	STO COMMON				

UNLESS OTHERWISE SPECIFIED ALL DIMENSIONS ARE IN MM BREAK EDGES AND REMOVE BURRS TOLERANCES X: ±0.5 X.X: ±0.1 X.XX: ±0.03 ANGLE: ±0.1° CONCENTRICITY: ±0.025 ROUNDNESS: ±0.025 EDGE BREAKS: 0.2 MAX ALL DIMENSIONS AND TOLERANCES ARE FINAL	MATERIAL:	NAME	DATE	SMAC 5807 VAN ALLEN WAY CARLSBAD CA, 92008 (760) 929-7588 MOVING COIL ACTUATORS
	FINISH:	DWN BY	TV 11/10/21	
	MACHINE FINISH: 1.6/√	CHK BY	TV 11/10/21	
	INTERPRET PER: ASME Y14.5-2009	ENG APP	TV 12/09/21	
	PROPRIETARY AND CONFIDENTIAL	MFG APP		TITLE:
		QA APP		SIZE: B PART NO:
	THIRD ANGLE PROJECTION			SCALE: 1:1 DO NOT SCALE
				REV: D SHEET: 2 / 2