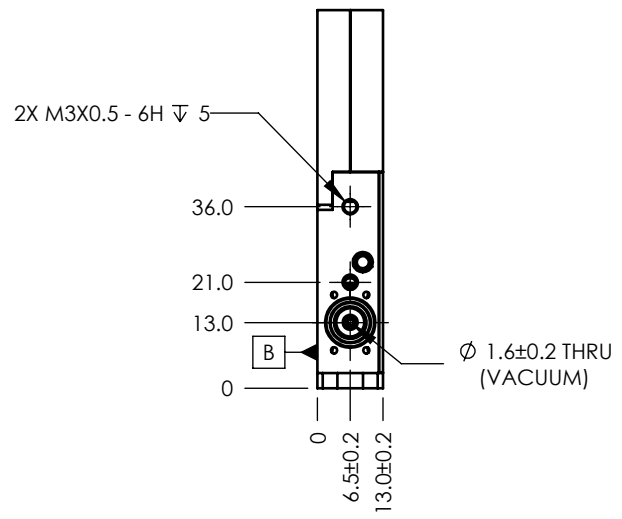
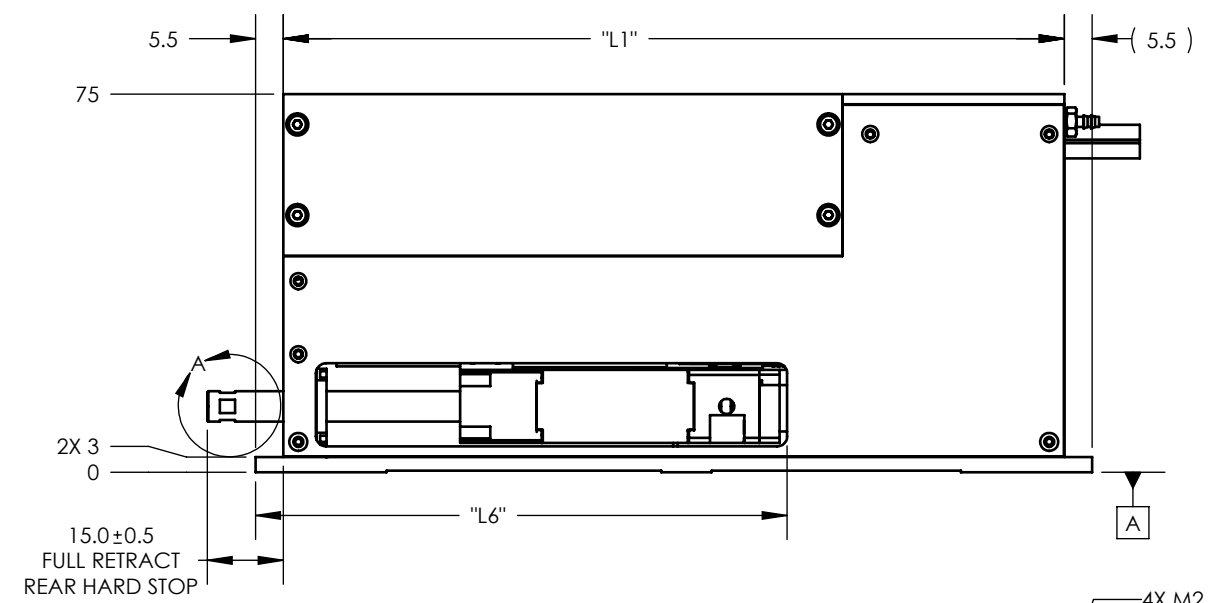
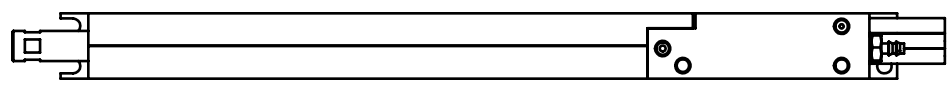


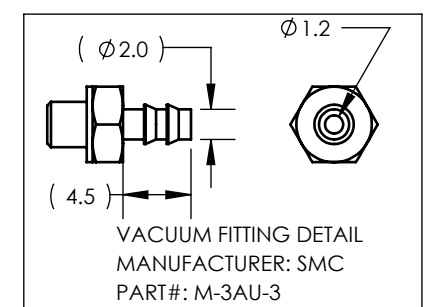
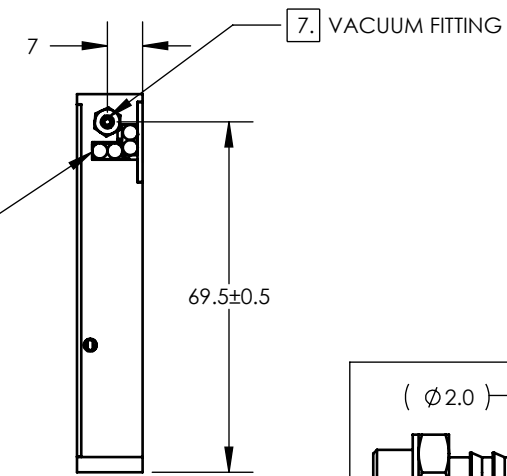
SPECIFICATIONS:

1. ROTARY SPECIFICATION:
 ROTARY ENCODER: 24K counts/Rev.
 PEAK TORQUE: 47mNm (24Vdc)
 RATED TORQUE: 15mNm
 MAXIMUM SPEED: 1000 RPM
 TS4862 (5w)
2. ENCODER INDEX: 2 ± 1mm FROM REAR STOP (LINEAR AXIS)
3. LINEAR POLE PITCH: 18.3mm (LINEAR AXIS)
4. OPERATING TEMPERATURE: 0°C TO 40°C
5. INNER FLUSH NOSE BUSHING
6. ALL DIMENSIONS ARE IN mm
7. ONLY FOR VACUUM OPTION

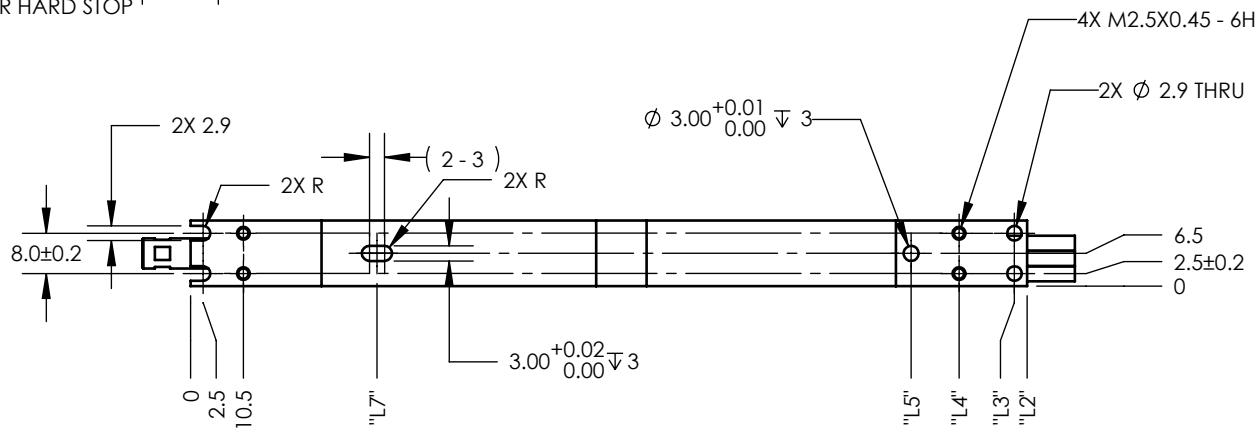
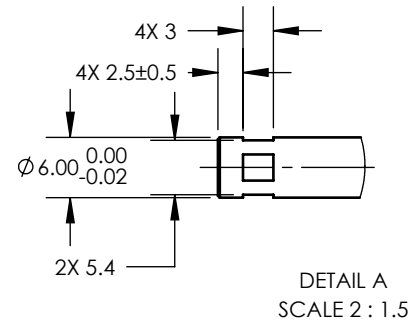
REVISIONS				
REV	ECR	DESCRIPTION	DATE	APPROVED
B1		UPDATE	1/31/2017	TMV
C	6052	REMOVE THE HOLES ON TOP OF LCR	4/6/2017	BJC
D		ADDED EXT NOSE BUSHING	5/21/2018	BJC
E		DWG UPDATE	2/20/2019	TMV
F	6727	CORRECTED DIMENSION "L6", REDRAWN	4/10/2019	TW
G	6739	CORRECTED DIMENSION "L6"	4/18/2019	TW



CABLE OPTION:
 PIGTAIL (LG=0.5m) DB-26P
 FLYING LEAD (LG=3m)
 2x-DB-15P



SHAFT OPTION:
 FEMALE: M3 ∇ 4
 MALE: M4 X 7



PIGTAIL

1X (-6)		1X (-2)	
PIN No	DB-26P	PIN No	DB-26P
1	(L) PH. A+	1	(L) PH. A+
2	(L) PH. B+	2	(L) PH. B+
3	(L) PH. Z+	3	(L) PH. Z+
4	NC	4	NC
5	NC	5	(L) MOTOR+
6	NC	6	NC
7	(R) PH. B+	7	(R) PH. B+
8	(R) PH. A+	8	(R) PH. A+
9	(R) PH. Z+	9	(R) PH. Z+
10	(L) PH. A-	10	(L) PH. A-
11	(L) PH. B-	11	(L) PH. B-
12	(L) PH. Z-	12	(L) PH. Z-
13	NC	13	NC
14	NC	14	NC
15	NC	15	NC
16	(R) PH. B-	16	(R) PH. B-
17	(R) PH. A-	17	(R) PH. A-
18	(R) PH. Z-	18	(R) PH. Z-
19	+5 VDC	19	+5 VDC
20	5V RTN	20	5V RTN
21	(R) MOTOR (U)	21	(R) MOTOR (U)
22	(L) COIL (U)	22	(L) MOTOR+
23	(L) COIL (V)	23	(L) MOTOR -
24	(L) COIL (W)	24	(L) MOTOR -
25	(R) MOTOR (V)	25	(R) MOTOR (V)
26	(R) MOTOR (W)	26	(R) MOTOR (W)

FLYING LEAD

2X (-2 & -6)		2X (-2 & -6)	
PIN No	DB-15P	PIN No	PHOENIX. 6P
1	PH. A+	1	GND
2	PH. Z+	2	+V
3	PH. B+	3	MOTOR U (MOTOR +)
4	+5 Vdc	4	MOTOR V (MOTOR -)
5	NC	5	MOTOR W
6	NC	6	NC
7	NC		
8	NC		
9	PH. A -		
10	PH. Z -		
11	PH. B -		
12	5V RTN		
13	NC		
14	NC		
15	NC		

TABLE					
No	UNIT	DETAILS	LCR13-025-55-2	LCR13-035-15-6	LCR13-050-15-6
1	mm	LINEAR STROKE	25	35	50
2	N	PEAK FORCE	7	14	14
3	N/A	FORCE CONSTANT	2.5	9.4	9.4
4	micron	ENCODER RESOLUTION	5, 1	5, 1	5, 1
5	A	MAXIMUM CURRENT	3	1.5	1.5
6	Ohm	COIL RESISTANCE	8.1	13.5	13.5
7	mH	COIL INDUCTANCE	0.93	0.95	0.95
8	kg	MOVING MASS	0.110	0.150	0.155
9	kg	TOTAL MASS	0.430	0.550	0.620
10		VACUUM OPTION	YES	YES	YES
11		SPRING OPTION	YES	YES	YES
12	mm	DIMENSION L1	155	180	210
13	mm	DIMENSION L2	166	191	221
14	mm	DIMENSION L3	163.5	188.5	218.5
15	mm	DIMENSION L4	152.5	180.5	207.5
16	mm	DIMENSION L5	143	153	198.0
17	mm	DIMENSION L6	105.5±0.5	116.8±0.5	132.5±0.5
18	mm	DIMENSION L7	37	42.5	42.5

UNLESS OTHERWISE SPECIFIED:
 ALL DIMENSIONS ARE IN MM
 BREAK EDGES AND REMOVE BURRS
 TOLERANCES:
 X: ±0.5 X.X: ±0.1
 X.XX: ±0.03 ANGLE: ±0.1°
 CONCENTRICITY: ±0.025
 ROUNDNESS: ±0.025
 EDGE BREAKS: 0.2 MAX
 ALL DIMENSIONS AND TOLERANCES ARE FINAL

MATERIAL: SEE BOM
 FINISH: SEE BOM
 MACHINE FINISH: 1.6
 INTERPRET PER: ASME Y14.5-2009
 THIRD ANGLE PROJECTION

NAME: BJC DATE: 1/27/2017
 DWN BY: BJC
 CHK BY: TMV 2/01/2017
 ENG APP: TMV 2/01/2017
 MFG APP: QA APP

SMAC
 MOVING COIL ACTUATORS
 5807 VAN ALLEN WAY
 CARLSBAD CA, 92008
 (760) 929-7588

TITLE: LINEAR ROTARY ACTUATOR

REF. NUMBER: LCR13 CONTRACT: STD

THE INFORMATION CONTAINED IN THIS DRAWING IS THE SOLE PROPERTY OF SMAC. ANY REPRODUCTION IN PART OR AS A WHOLE WITHOUT THE WRITTEN PERMISSION OF SMAC IS PROHIBITED.

PROPRIETARY AND CONFIDENTIAL

SIZE: B PART NO: LCR13-XXX-YY-Z REV: G
 SCALE: 2:3 DO NOT SCALE SHEET: 1 / 1