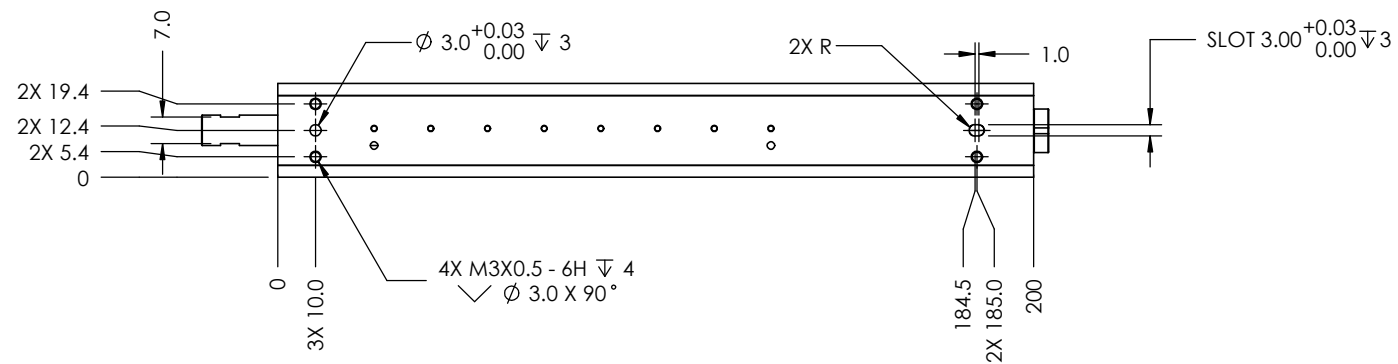
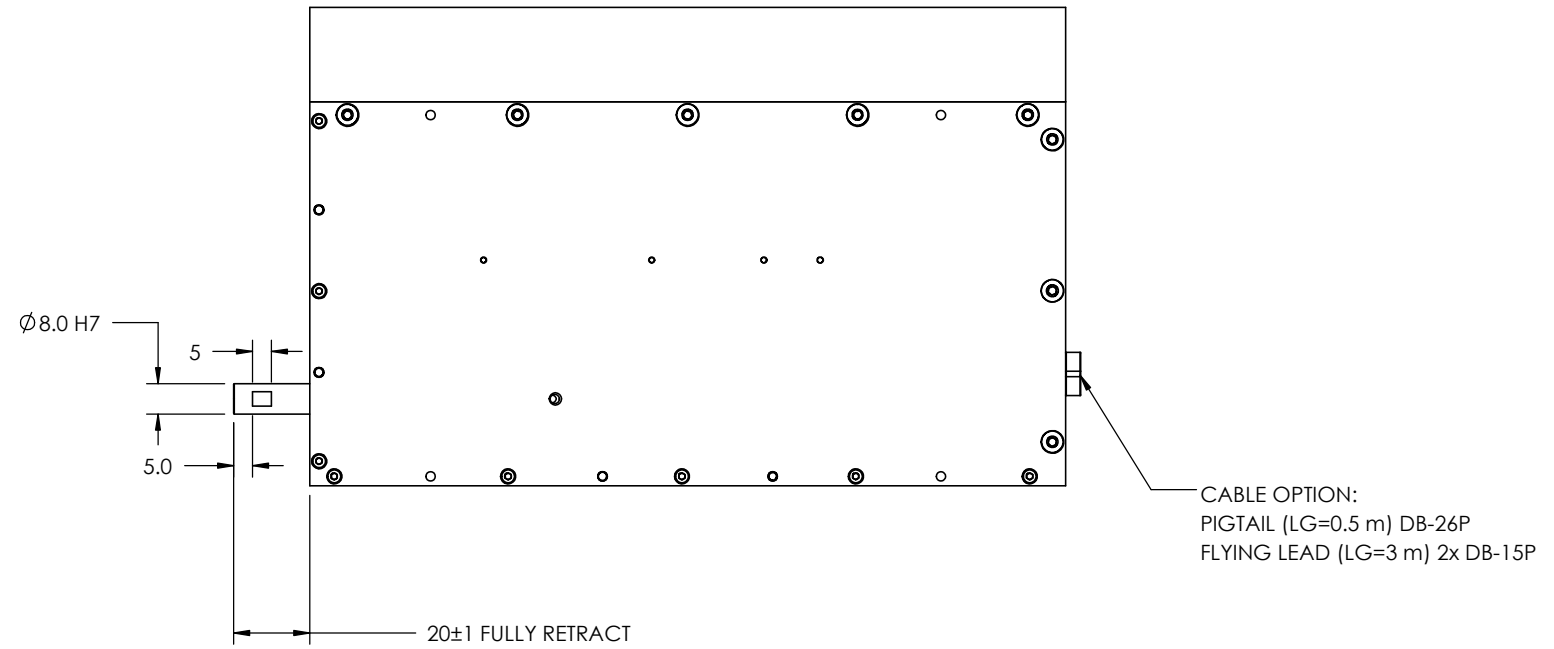
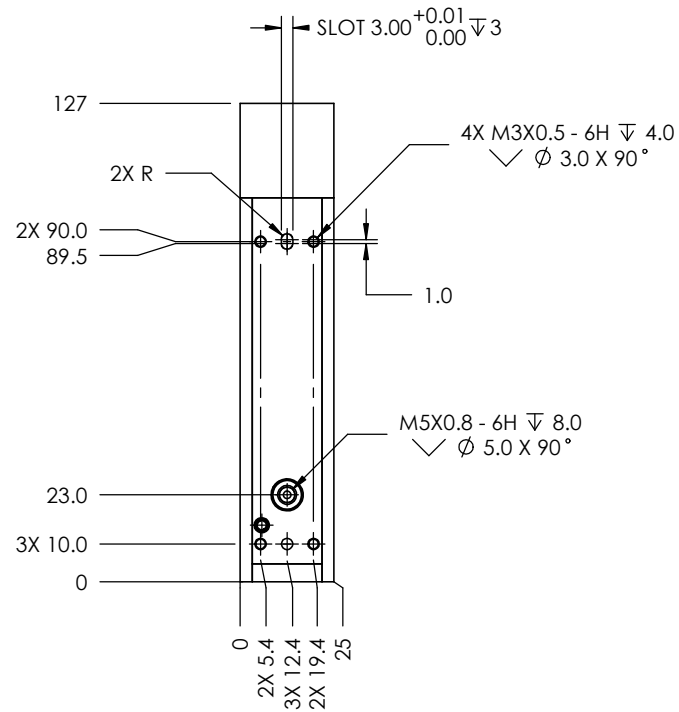


NOTES (UNLESS OTHERWISE SPECIFIED)

- ALL DIMENSIONS ARE IN mm UNLESS OTHERWISE NOTED.
- STROKE: 50 ± 1 mm
- ENCODER RESOLUTION: 5, 1 µm
- MOVING MASS: 0.19 KG
- TOTAL MASS: TBD
- OPERATING TEMPERATURE: 0 °C TO 40 °C
- VOLTAGE: 48 Vdc
- PEAK FORCE: 70N @2.5 A
- FORCE CONSTANT: 31.2 N/A
- COIL RESISTANCE: 19.3 Ω/PHASE

REVISIONS				
REV	ECR	DESCRIPTION	DATE	APPROVED
C	6980	UPDATE TOP PLATE AND DRAWING	11/15/19	AD
D		REVISED DIMENSIONS AND NOTES	2/26/20	CP



CABLE OPTION:
PIGTAIL (LG=0.5 m) DB-26P
FLYING LEAD (LG=3 m) 2x DB-15P

PIN No	DB-26P
1	(L) PH. A+
2	(L) PH. B+
3	(L) PH. Z+
4	NC
5	NC
6	NC
7	NC
8	NC
9	NC
10	(L) PH. A-
11	(L) PH. B-
12	(L) PH. Z-
13	NC
14	NC
15	NC
16	NC
17	NC
18	NC
19	+5 VDC
20	5V RTN
21	NC
22	L. COIL (U)
23	L. COIL (V)
24	L.COIL (W)
25	NC
26	NC

PIN No	DB-15P
1	PH. A+
2	PH. Z+
3	PH. B+
4	+5 Vdc
5	NC
6	NC
7	NC
8	NC
9	PH. A -
10	PH. Z -
11	PH. B -
12	5V RTN
13	NC
14	NC
15	NC

PIN No	PHOENIX. 6P
1	POWER - (GND)
2	POWER +
3	MOTOR U (MOTOR+)
4	MOTOR V (MOTOR-)
5	MOTOR W
6	NC

REF. NUMBER	LBL25-050
CONTRACT	STD

UNLESS OTHERWISE SPECIFIED
ALL DIMENSIONS ARE IN MM
BREAK EDGES AND REMOVE BURRS
TOLERANCES
X: ±0.5 XX: ±0.1
XXX: ±0.03 ANGLE: ±0.1°
CONCENTRICITY: ±0.025
ROUNDNESS: ±0.025
EDGE BREAKS: 0.2 MAX
ALL DIMENSIONS AND TOLERANCES ARE FINAL

MATERIAL: SEE BOM
FINISH:
MACHINE FINISH:
INTERPRET PER: ASME Y14.5-2009
THIRD ANGLE PROJECTION

NAME	CP	DATE	2/26/20
DWN BY			
CHK BY			
ENG APP			
MFG APP			
QA APP			

SMAC 5807 VAN ALLEN WAY
CARLSBAD CA, 92008
(760) 929-7588
TITLE: MOVING COIL ACTUATORS
L25-050-3X-3
SIZE: B PART NO: LBL25-025-3X-3 REV: D
SCALE: 1:5 DO NOT SCALE SHEET: 1 / 1