

NOTES (UNLESS OTHERWISE SPECIFIED)

1. LINEAR SPECIFICATIONS:

- LINEAR STROKE: 15 +1/-0 mm
- ENC. RESOLUTION(+A/-A;+B/-B): 0.5, 1 & 5 um
- ENCODER REPEATABILITY: ±4 COUNT
- OPERATING VOLTAGE: 48Vdc
- COIL RESISTANCE: 26.5 Ohm
- PEAK FORCE: 84 N @ 1.7A (48Vdc)
- FORCE CONSTANT: 53 N/A
- MOVING MASS: .9 kg
- TOTAL MASS: 3.5 kg

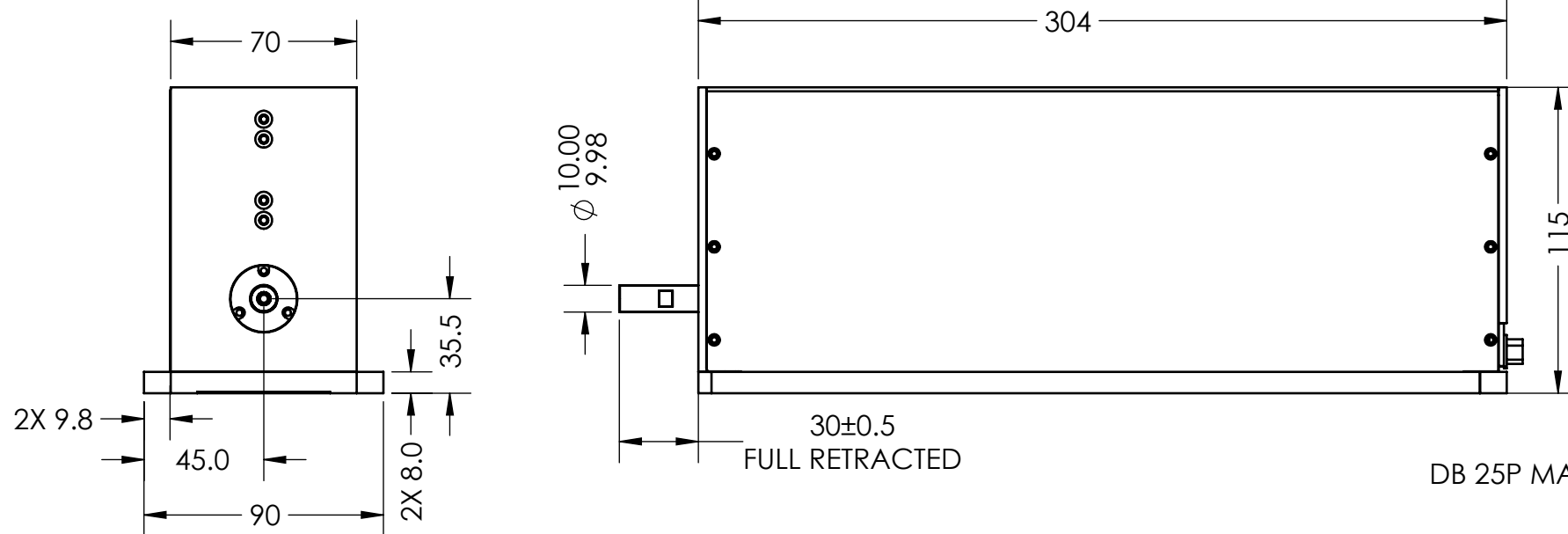
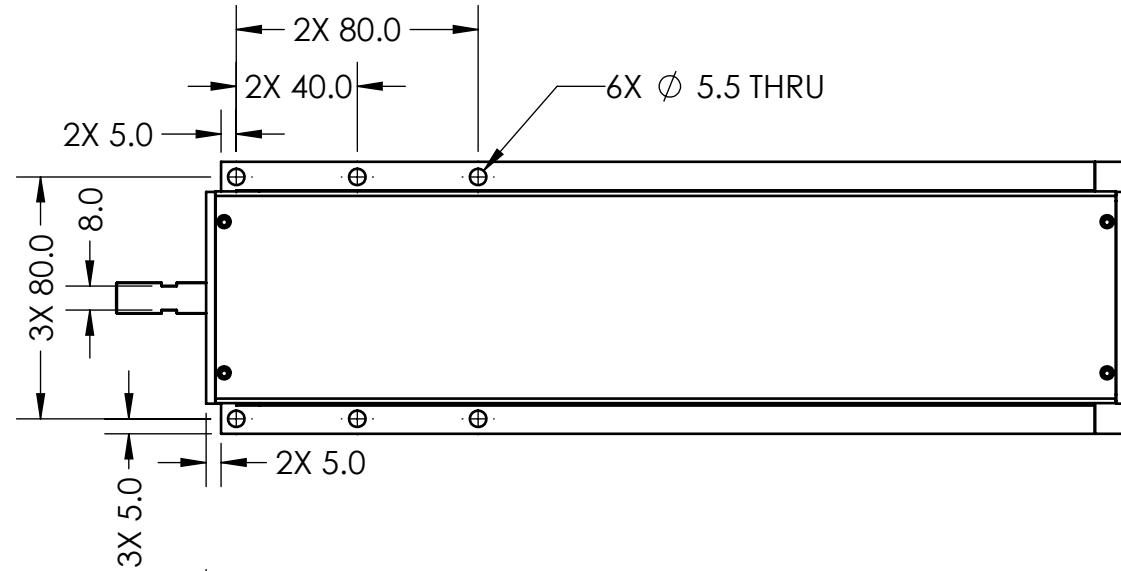
2. ROTARY SPECIFICATIONS: SEE TABLE

3. VACUUM OPTION: N/A

4. SPRING OPTION: N/A

5. OPERATING TEMPERATURE: 0°C TO 40°C

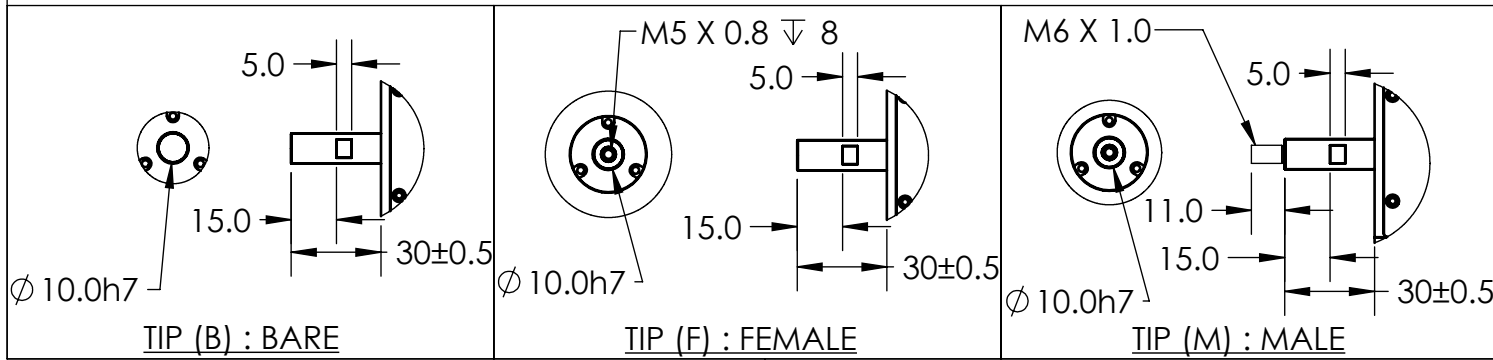
REVISIONS				
REV	ECR	DESCRIPTION	DATE	APPROVED
A	2809	INITIAL RELEASE	05/12/2003	BR
B	3041	UPDATE SHAFT END DIM. ADD FRONT LIMIT	01/28/2004	SEK
C	3113	SEE ECN	03/19/2004	SMH
D	3485	SEE ECN	02/16/2005	CAW
E	5688	PART NUMBER CHANGE	01/20/2016	SB
F	6787	UPDATED GEAR SPECS/OPTION	07/09/2019	DLL
G	7575	UPDATED SPECS AND OPTIONS	05/24/2021	DL



PIN No	DB-25P
1	+5 Vdc
2	5V RTN
3	(R) MOTOR -
4	(L) PH. A-
5	NC
6	LIMIT RTN (OPTION)
7	(L) MOTOR+
8	(L) MOTOR+
9	(L) PH. B -
10	(R) MOTOR+
11	(L) LIMIT+ (OPTION)
12	(L) LIMIT - (OPTION)
13	(R) PH. B -
14	(L) PH. A+
15	(R) PH. A+
16	(L) PH. B+
17	(R) PH. B+
18	(L) PH. Z+
19	(L) MOTOR -
20	(L) MOTOR -
21	(R) PH. A -
22	(R) INDEX (COARSE)
23	(L) PH. Z -
24	(R) PH. Z+
25	(R) PH. Z -

SIGNATURE NEEDED FOR ORDER APPROVAL
 SIGN _____ DATE _____
 APPROVAL NOT RECIEVED WITHIN
 48 HOURS MAY AFFECT DELIVERY

STANDARD OPTION SPEC	DIRECT DRIVE	4:1 GEAR	16:1 GEAR
ENC. RESOLUTION (+A/-A, +B/-B)	2000 CPR	4 X 2000 CPR	16 X 2000 CPR
FINE INDEX (+Z/-Z)	YES	YES	YES
MOTOR TYPE:	DC BRUSH (HANSEN 40mm)	DC BRUSH (HANSEN 40mm)	DC BRUSH (HANSEN 40mm)
PEAK TORQUE: Nm@VDC, A	0.26 Nm @ 48VDC, 4A	0.96 Nm @ 48VDC, 4A	3.6 Nm @ 48VDC, 4A
TORQUE CONSTANT: Nm/A	0.069 Nm/A	0.25 Nm/A	0.34 Nm/A
MAXIMUM SPEED: RPM	4500 RPM (WITH 0 LOAD & NON VACUUM) 500 RPM (WITH 0 LOAD & VACUUM)	1000 RPM (WITH 0 LOAD & NON VACUUM) 500 RPM (WITH 0 LOAD & VACUUM)	240 RPM (WITH 0 LOAD)
GEAR BACK LASH:	N/A	LESS THAN 20 arcmin	LESS THAN 35 arcmin



UNLESS OTHERWISE SPECIFIED ALL DIMENSIONS ARE IN MM BREAK EDGES AND REMOVE BURRS TOLERANCES X: ±0.5 X.X: ±0.1 X.XX: ±0.03 ANGLE: ±0.1° CONCENTRICITY: ±0.025 ROUNDNESS: ±0.025 EDGE BREAKS: 0.2 MAX ALL DIMENSIONS AND TOLERANCES ARE FINAL	MATERIAL: SEE BOM	NAME DL	DATE 05/24/21	SMAC MOVING COIL ACTUATORS 5807 VAN ALLEN WAY CARLSBAD CA, 92008 (760) 929-7588
	FINISH: SEE BOM	CHK BY TMV		
	MACHINE FINISH: 1.6	MFG APP		
	INTERPRET PER: ASME Y14.5-2009	QA APP		
REF. NUMBER LAR95-015	CONTRACT STD	THE INFORMATION CONTAINED IN THIS DRAWING IS THE SOLE PROPERTY OF SMAC. ANY REPRODUCTION IN PART OR AS A WHOLE WITHOUT THE WRITTEN PERMISSION OF SMAC IS PROHIBITED.		TITLE: LAR95-015-7X-1
		SIZE: B	PART NO: LAR95-015-7X-1	REV: G
		SCALE: 1:5 DO NOT SCALE		SHEET: 1 / 1