

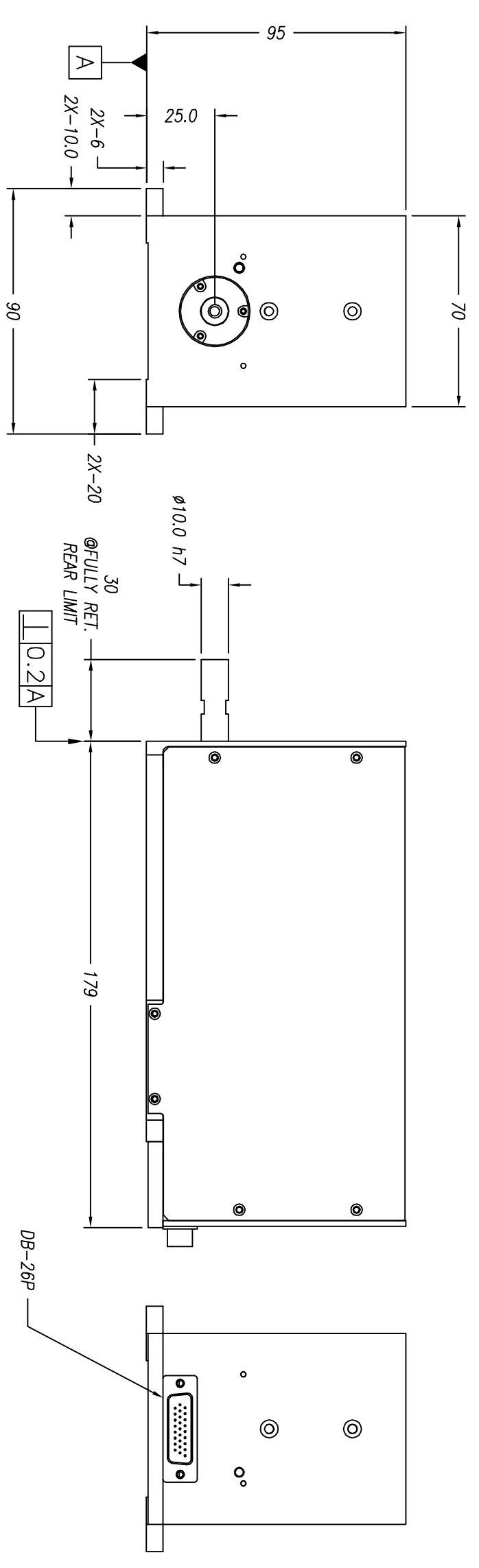
NOTES: (UNLESS OTHERWISE SPECIFIED)

- ALL DIMENSIONS ARE IN MILLIMETERS.
- LINEAR SPECIFICATION:

- LINEAR STROKE: 25 +1.0/-0 mm
- FORCE CONSTANT: 52.0 N/AMP
- PEAK FORCE: 162 N @ 3.1 AMPS (48VDC)
- CONTINUOUS FORCE : 105 N @ 2 AMPS (48 VDC)
- COIL DC RESISTANCE: 13.3 OHMS @ 22°C
- COIL INDUCTANCE: TBDmH @ 1 KHz
- ENCODER RESOLUTION: 1 MICROMETERS
- ENCODER ACCURACY: ± 4 COUNTS
- MOVING MASS: 580 GRAMS
- TOTAL MASS: 3750 GRAMS
- OPERATING TEMPERATURE: 0°C TO +65°C

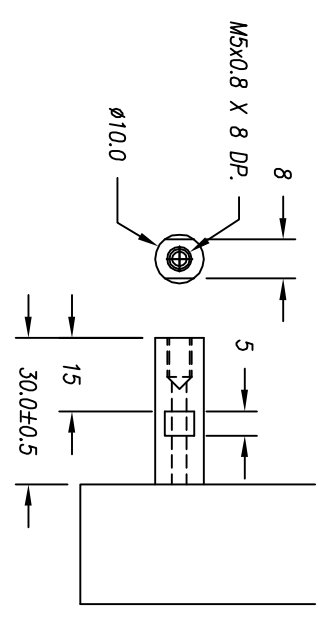
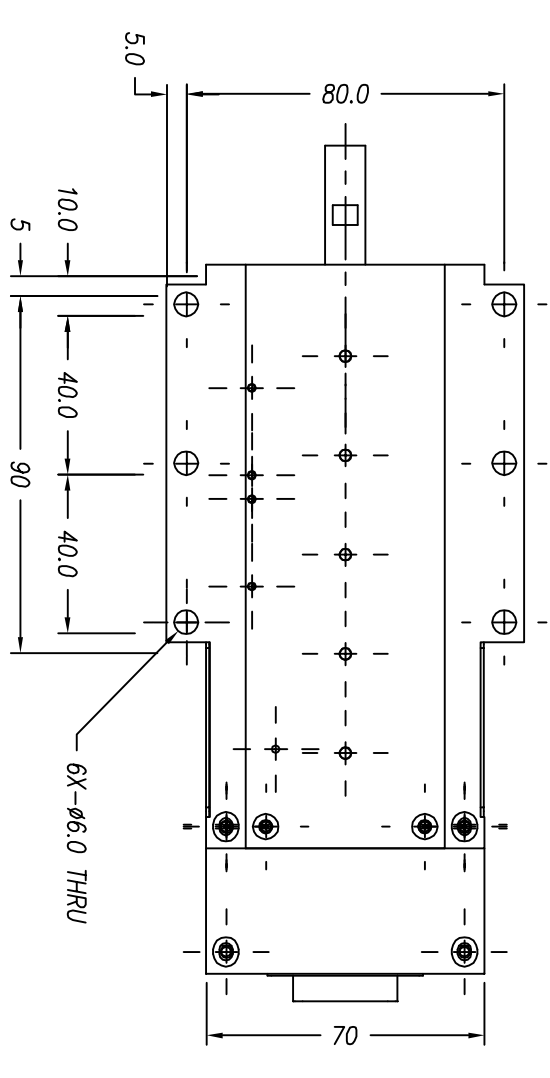
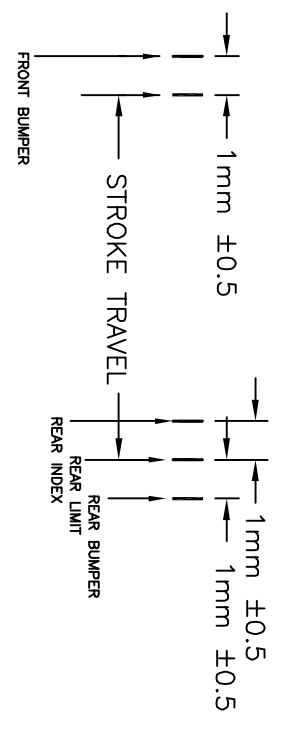
SIGNATURE NEEDED FOR ORDER APPROVAL
 SIGN _____ DATE _____
 APPROVAL NOT RECEIVED WITHIN
 48 HOURS MAY AFFECT DELIVERY

REVISIONS				
REV	DATE	ECN	DESCRIPTION	APP
A	5/26/06	3944	INITIAL RELEASE	LR
B	10/1/13	5288	SEE ECN	KGS
C	1/19/16	5688	PART NUMBER CHANGE	SB



DB-26P PINOUT

1	(L) PH. A+
2	(L) PH. B+
3	(L) PH. Z+
4	NC
5	NC
6	I/O RTN
7	NC
8	NC
9	NC
10	(L) PH. A-
11	(L) PH. B-
12	(L) PH. Z-
13	NC/(R) HOME
14	LIMIT +
15	LIMIT -
16	NC
17	NC
18	NC
19	+5VDC
20	5V RTN
21	(L) COIL +
22	(L) COIL +
23	(L) COIL -
24	(L) COIL -
25	NC
26	NC



TOLERANCES ARE: X. ± 0.50 X.X ± 0.1 X.XX ± 0.05 X.XXX ± 0.1* ANGULARITY ± 0.1° CONCENTRIC ± 0.01 ROUNDNESS ± 0.05 EDGE BREAK 0.2 MAX CHAMFER 0.2 MAX		MATERIAL: ALUMINUM		REF. NUMBER LAL95-025-8	
HEAT TREAT: / RC		DESIGNED BY: L. RAKOW		CHECKED BY:	
MACHINE FINISH: 1.6 /		DRAWN BY: KARL STOCKS		APPROVED BY:	
EXCEPT NOTED.		PART NAME: LAL95-025-7X-2		DATE:	
PROTECTIVE FINISH ELECTROLESS NICKEL		SCALE: NONE		DWG SIZE: B	
FILE NAME: LAL95-025-8_B		SPEC. NUMBER:		PART NUMBER: LAL95-025-7X-2	
				CONTRACT: STD	
				SHEET NUMBER: 1 of 1	
				REVISION: C	