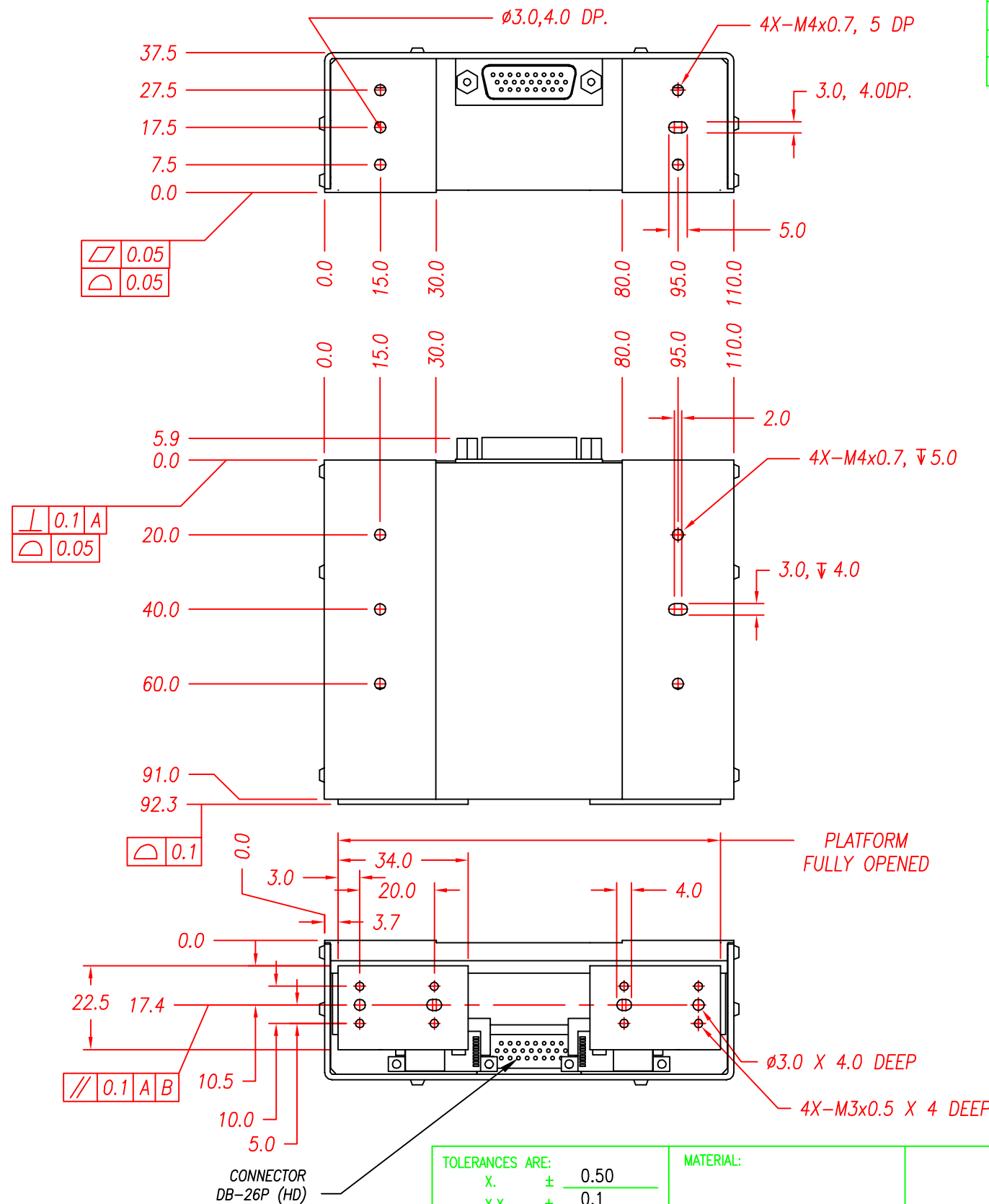
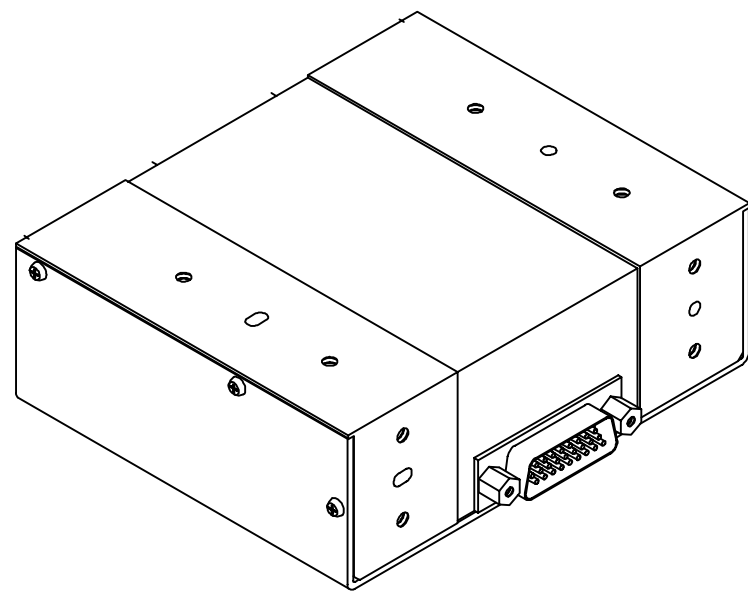


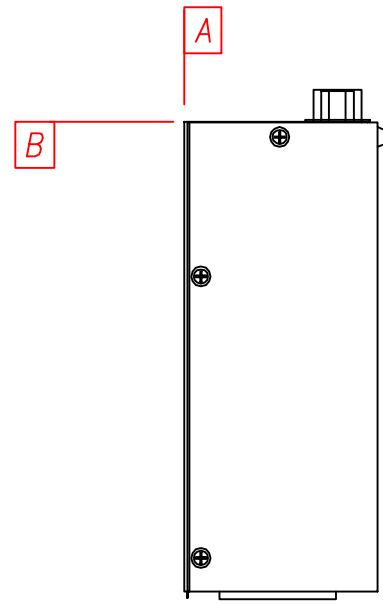
NOTES: (UNLESS OTHERWISE SPECIFIED)

- ALL DIMENSIONS ARE IN MM OTHERWISE NOTED.
- ALL DIMENSION APPLY AFTER PLATING.
- ACTUATOR SPECIFICATIONS:
 LINEAR STROKE: 15 MM/ PER FINGER (TOTAL 30 mm OPEN MIN.)
 FORCE CONSTANT: 13.8 N /AMP/ PER AXIS
 PEAK FORCE: 26.4 N / 1.9 AMPS (48 VDC)
 COIL DC RESISTANCE: 22.5 OHMS @ 22°C
 COIL INDUCTANCE: TBD mH @ 1KHz
 MAXIMUM POWER DISSIPATE TO COIL: 36 WATTS/ AXIS
- COIL HEAT RISE COEFFICIENCE: TBD°C/WATT @ 22°C
 LINEAR ENCODER RESOLUTION: 1 MICRON-METER (NON-CONTACT)
 ENCODER ACCURACY: ±20 MICRON-METER
 ESTIMATE MOVING MASS: 100 GRAMS/ PER AXIS
 ESTIMATE TOTAL MASS: 1.2 KGRAMS
 MAXIMUM ACCELERATION: 25 G (W/ NO LOAD)
- OPERATING TEMPERATURE: -20°C TO +45°C



REVISIONS				
REV	DATE	ECN	DESCRIPTION	APP
A	4/14/05	3592	INITIAL RELEASE	JN
B	1/21/16	5688	PART NUMBER CHANGE	SB

SIGNATURE NEEDED FOR ORDER APPROVAL
 SIGN _____ DATE _____
 APPROVAL NOT RECEIVED WITHIN
 48 HOURS MAY AFFECT DELIVERY



DB-26P PINOUT

1	(AXIS 1) PH. A+
2	(AXIS 1) PH. B+
3	(AXIS 1) PH. Z+
4	NC
5	NC
6	I/O RTN
7	(AXIS 2) PH. B+
8	(AXIS 2) PH. A+
9	(AXIS 2) PH. I+
10	(AXIS 1) PH. A-
11	(AXIS 1) PH. B-
12	(AXIS 1) PH. Z-
13	(AXIS 2) LIMIT-
14	NC
15	(AXIS 1) LIMIT -
16	(AXIS 2) PH. B-
17	(AXIS 2) PH. A-
18	(AXIS 2) PH. I-
19	+5VDC
20	5V RTN
21	(AXIS 1) COIL +
22	(AXIS 1) COIL +
23	(AXIS 1) COIL -
24	(AXIS 1) COIL -
25	(AXIS 2) MOTOR -
26	(AXIS 2) MOTOR +

TOLERANCES ARE: X. ± 0.50 X.X ± 0.1 X.XX ± 0.05 X.XXX ± ANGULARITY ± 0.1° CONCENTRIC ± 0.01 ROUNDNESS ± 0.05 EDGE BREAK 0.2 MAX CHAMFER 0.1 MAX	MATERIAL: HEAT TREAT: _____ RC _____ DEEP MACHINE FINISH: 1.6 ✓ EXCEPT NOTED. PROTECTIVE FINISH FILE NAME: GRP35-30-07 SPEC. NUMBER:	SMAC		REF. NUMBER GRP35-030-7	
		DESIGNED BY: TOAN VU	DATE: 01/10/01	CHECKED BY:	DATE:
		DRAWN BY: TOAN VU	DATE: 01/10/01	APPROVED BY:	DATE:
		PART NAME: GRP35-030-7X-1 OUTLINE			SHEET NUMBER: 1 OF 1
		SCALE: NONE	DWG SIZE: B	PART NUMBER: GRP35-030-7X-1	REVISION: B
		DO NOT SCALE DWG			