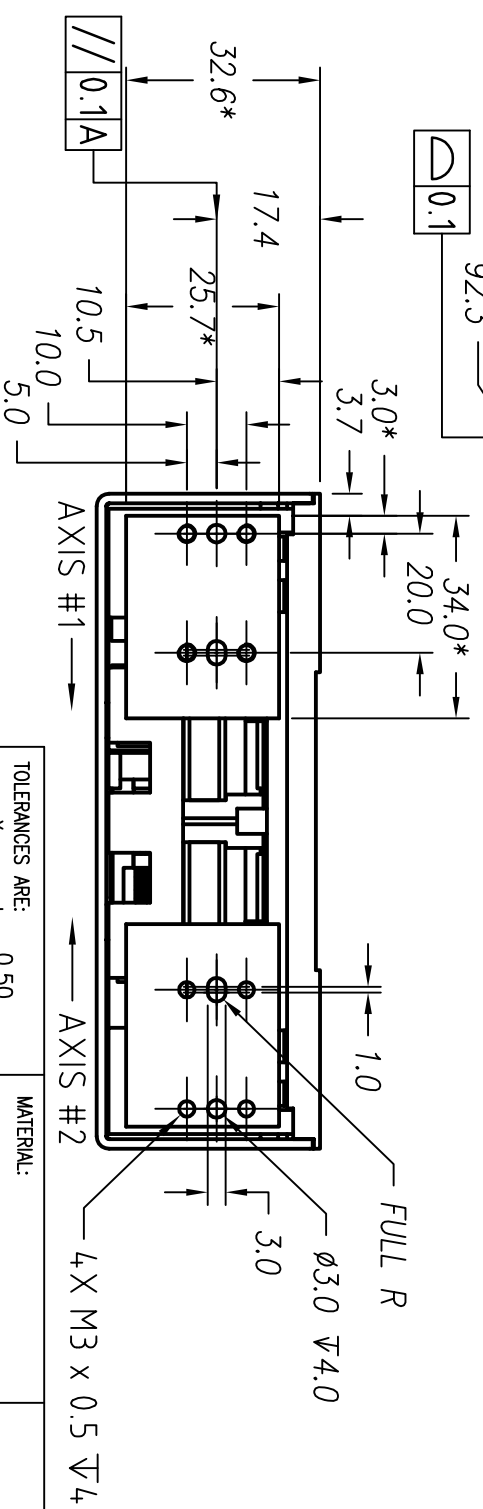
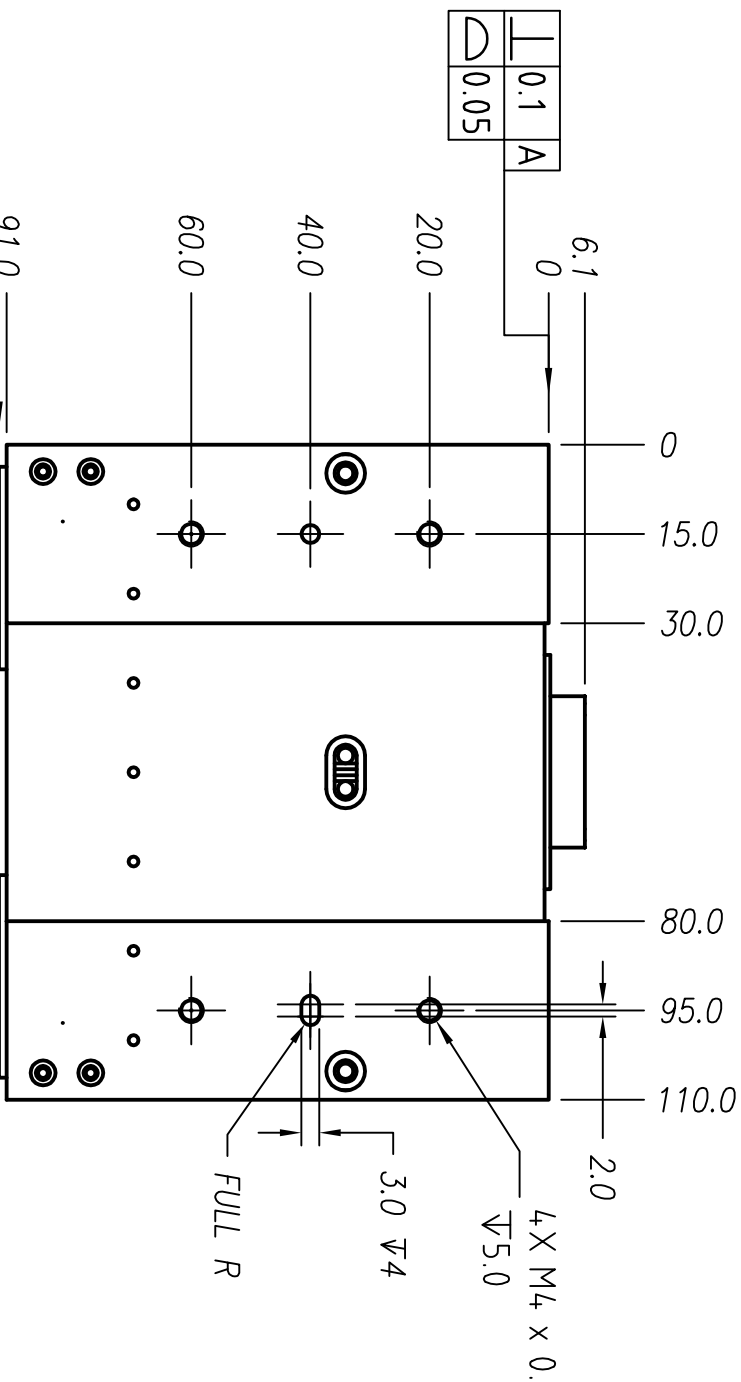
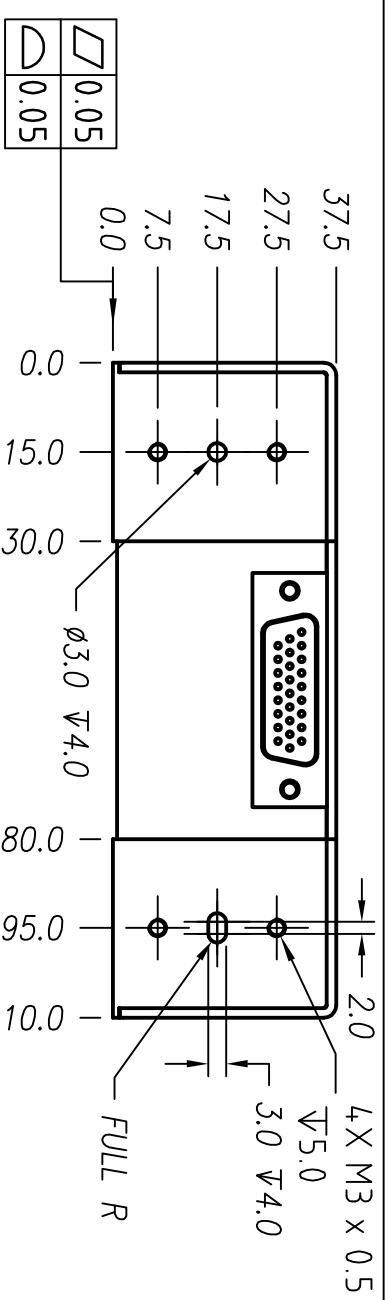
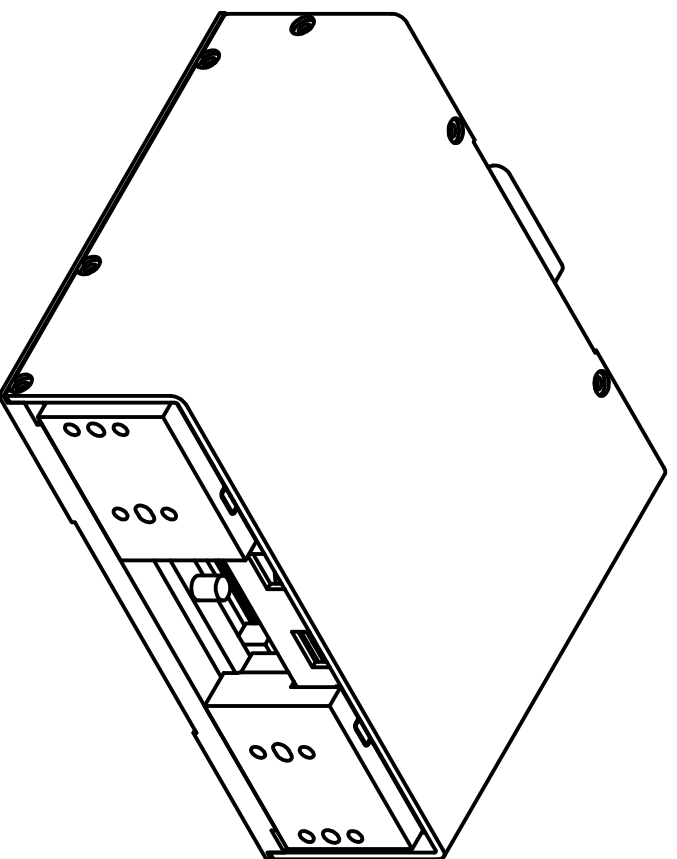


NOTES: (UNLESS OTHERWISE SPECIFIED)

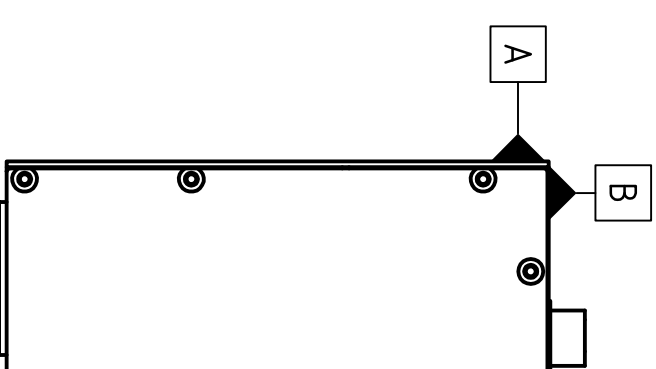
1. ALL DIMENSIONS ARE IN MM OTHERWISE NOTED.
2. ALL DIMENSION APPLY AFTER PLATING.
3. ACTUATOR SPECIFICATIONS:
 LINEAR STROKE: 15 MM/ PER FINGER (TOTAL 30 mm OPEN MIN.)
 FORCE CONSTANT: 16 N /AMP/ PER AXIS
 PEAK FORCE: 18 N / 1.5 A (24 VDC)
 COIL DC RESISTANCE: 15.0 OHMS @ 22°C
 MAXIMUM POWER DISSIPATE TO COIL: 36 WATTS/ AXIS
 LINEAR ENCODER RESOLUTION: 5 MICRON-METER (NON-CONTACT)
 ENCODER ACCURACY: ±20 MICRON-METER
 ESTIMATE MOVING MASS: 100 GRAMS/ PER AXIS
 ESTIMATE TOTAL MASS: 1.5 KGRAMS
 MAXIMUM ACCELERATION: 25 G (W/ NO LOAD)
 OPERATING TEMPERATURE: -20°C TO +45°C

DB-26-HD PINOUT	
1	(AXIS 1) PH. A+
2	(AXIS 1) PH. B+
3	(AXIS 1) PH. I+
4	OVERHEAT
5	HM/OH/LIM RTN
6	
7	(AXIS 2) PH. B+
8	(AXIS 2) PH. A+
9	(AXIS 2) PH. I+
10	(AXIS 1) PH. A-
11	(AXIS 1) PH. B-
12	(AXIS 1) PH. I-
13	COARSE HOME
14	LIMIT +
15	LIMIT -
16	(AXIS 2) PH. B-
17	(AXIS 2) PH. A-
18	(AXIS 2) PH. I-
19	+5VDC
20	COMMON
21	(AXIS 1) COIL +
22	(AXIS 2) COIL +
23	(AXIS 1) COIL -
24	(AXIS 1) COIL -
25	(AXIS 2) COIL -
26	(AXIS 2) COIL +



REVISIONS				
REV	DATE	ECN	DESCRIPTION	APP
A	10/3/02	2603	INITIAL RELEASE	SMH
B	6/28/06	3970	PINOUT DIAGRAM & SEE*	NI
C	1/21/16	5688	PART NUMBER CHANGE	SB
D	10/24/19	6931	UPDATED ACTUATOR SPEC'S	DL

SIGNATURE NEEDED FOR ORDER APPROVAL
 SIGN _____ DATE _____
 APPROVAL NOT RECEIVED WITHIN
 48 HOURS MAY AFFECT DELIVERY



TOLERANCES ARE: X. ± 0.50 X.X ± 0.1 X.XX ± 0.05 X.XXX ± 0.1* ANGULARITY ± 0.01 CONCENTRIC ± 0.05 ROUNDNESS ± 0.2 MAX EDGE BREAK 0.1 MAX CHAMFER		MATERIAL: HEAT TREAT: / RC MACHINE FINISH: 1.6 / DEEP EXCEPT NOTED. ✓ PROTECTIVE FINISH		DESIGNED BY: TOAN VU DATE: 01/10/01 DRAWN BY: N. ITAKURA DATE: 6/28/06		CHECKED BY: DATE: _____ APPROVED BY: DATE: _____		REF. NUMBER: GRP35-030-5 CONTRACT: STD SHEET NUMBER: 1 of 1	
FILE NAME: GRP35-030-5_B SPEC. NUMBER:		SCALE: NONE DWG SIZE: B		PART NAME: GRP35-030-5X-1 OUTLINE		PART NUMBER: GRP35-030-5X-1		REVISION: D	