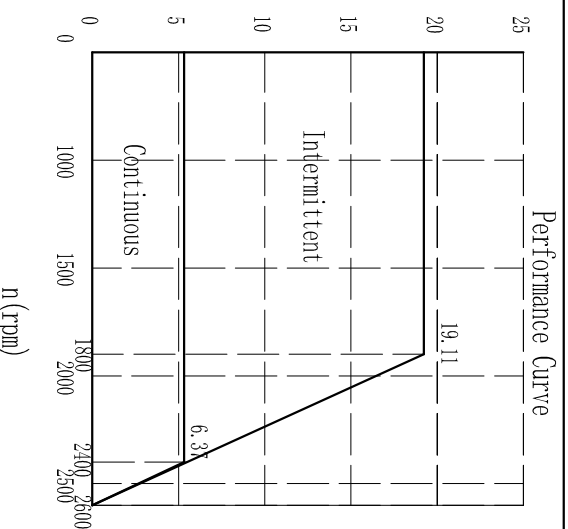
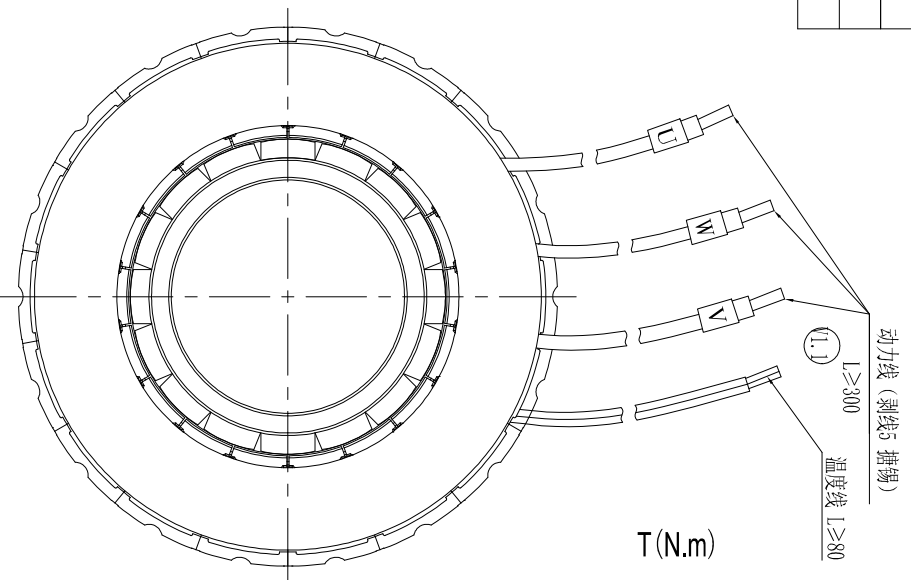
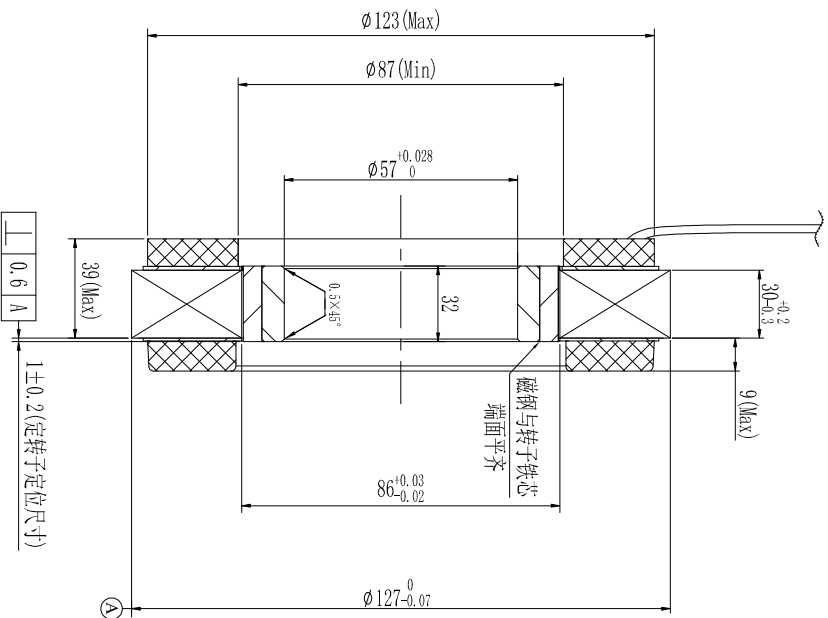


定义 FUNCTION	颜色 COLOR	FUNCTION	COLOR
U相 MOTOR U	黄 YELLOW (13AWG)	PT1000	黑 BLACK (26AWG)
V相 MOTOR V	红 RED (13AWG)		红 BLACK (26AWG)
W相 MOTOR W	黑 BLAK (13AWG)		

动力线 Power Wire

温度线 Temperature Wire



Technical Data

极数 No. of poles	16
直流母线电压 DC Link Voltage U _{dc} (V)	48
额定功率 Rated Power P _n (W)	1600
额定转矩 Rated Torque T _n (N.m)	6.37
额定转速 Rated Speed n _n (rpm)	2400
额定电流 Rated Current I _n (A)	35.5
最大转矩 Max Torque T _{max} (N.m)	19.11
最大电流 Max Current I _{max} (A)	110
线电阻 Resistance terminal-terminal R (Ω)	0.035
线电感 Inductance terminal-terminal L _l (mH)	0.145
电气时间常数 Electrical time constant T _e (ms)	4.14
机械时间常数 Mechanical time constant T _m (ms)	1.14
反电势常数 Voltage constant K _v (V/krpm)	11.4
转矩常数 Torque constant K _t (Nm/A)	0.2
转动惯量 Rotor moment of inertia J _m (kg.cm ²)	6.7
绝缘等级 Insulation class	F
重量 Weight (kg)	2.18

VER	DESCRIPTION OF CHANGE	VER	KJ220459	CHANGE	ZT
VI.1	线长由≥100改为≥300	VI.3	ECN NO.		
VI.2	线长由≥300改为≥750	FINAL TOLERANCE REFERENCE GB/T 1804-m Unit:mm			
VI.3	线长由≥750改为≥300	≤6	±0.1	>6~30	±0.2
		>30~120	±0.3	>120~400	±0.5

SL	22-11-22	DESIGN	DATE	P/NO.	307080345SS
AP/D	DATE	CHECK	ZZJ	22-08-10	Outside Drawing
MATERIAL		WJD	22-08-10	USED ON	PMC12730-0160-2457N-80S00
		APPROVE	SL	22-08-10	SCALE:
					VER: VI.3

FIRST ANGLE PROJECTION SHEET OF KINCO MOTOR