

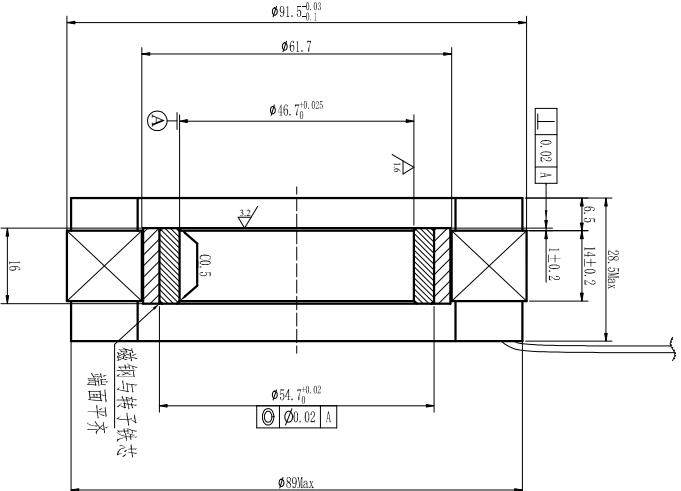
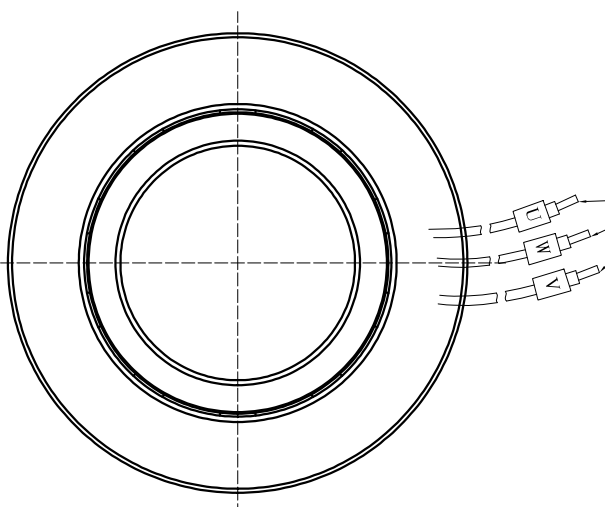
FUNCTION	COLOR
MOTOR U	BLUE (S&M)
MOTOR V	BROWN (S&M)
MOTOR W	PURPLE (S&M)

Power Wire

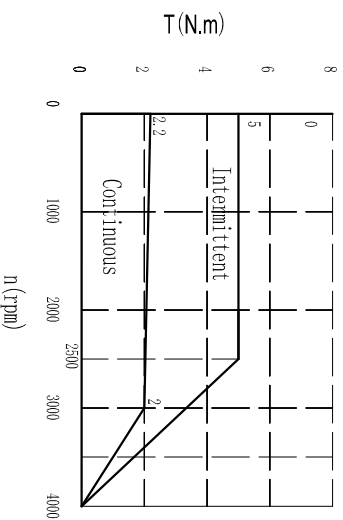
技术要求:  
定子引出线按GB/T 7345-2008要求:  
对定子三相线, 每根引出线应能承受9.0N的拉力;  
引出线不能断开, 绝缘层和线芯不能损坏。

动力线端子: (剥线5 搪锡)

L ≥ 100



Performance Curve



**DC BRUSHLESS SERVO MOTOR**  
FMC09114-0063-3046N-8DS00

W	630	V	48
A	16.2	M	2
RPM	3000	Ins	F

Kinavo Servo Motor (Changzhou) Ltd.  
MADE IN CHINA  
S/N: 307080XXXXYYDDNNNN



Technical Data

No. of poles	16
DC Link Voltage U <sub>c</sub> (DC Link)	48
Rated Power P <sub>N</sub> (W)	630
Rated torque T <sub>N</sub> (N.m)	2
Rated Speed n (rpm)	3000
Rated Current I <sub>N</sub> (A)	16.2
Maximum torque T <sub>M</sub> (N.m)	5
Maximum Current I <sub>M</sub> (A)	43.5
Standstill torque T <sub>S</sub> (N.m)	2.2
Standstill current I <sub>S</sub> (A)	17.8
Resistance line-line R <sub>L</sub> (Ω)	0.12
Inductance line-line L <sub>L</sub> (mH)	0.22
Electrical time constant τ <sub>e</sub> (ms)	1.83
Mechanical time constant τ <sub>m</sub> (ms)	1.39
Voltage constant K <sub>v</sub> (V/rpm)	7.9
Torque constant K <sub>t</sub> (Nm/A)	0.130
Rotor moment of inertia J <sub>m</sub> (kg.cm <sup>2</sup> )	1.14
Insulation class	F
Weight (kg)	0.78

V1.3	KMZ02066	ZT	SL	22.07.15	DESIGN	DATE	P.N.	3070803355
REV	ECN NO.	DRN	APP D	DATE	CHECK	DATE	TITLE	外形图
UNLESS OTHERWISE SPECIFIED TOLERANCES				MATERIAL		CONTR.		USED ON
DECIMALS: ±0.5				ANGULAR: ±0°30'		LSJ		FMC09114-0063-3046N-8DS00
.xx ±0.25				SCALE		SL		DWG NO.
.xxx ±0.1				FIRST ANGLE PROJECTION		SCALE		REV
UNIT: mm				SHEET		OF		V1.0
DO NOT SCALE DRAWING				KINAVO MOTOR				