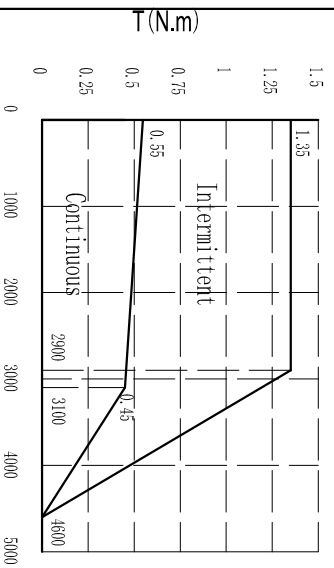
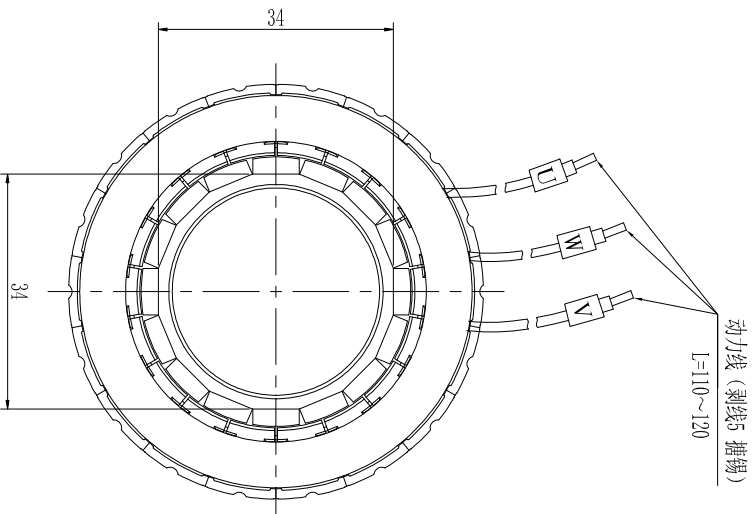
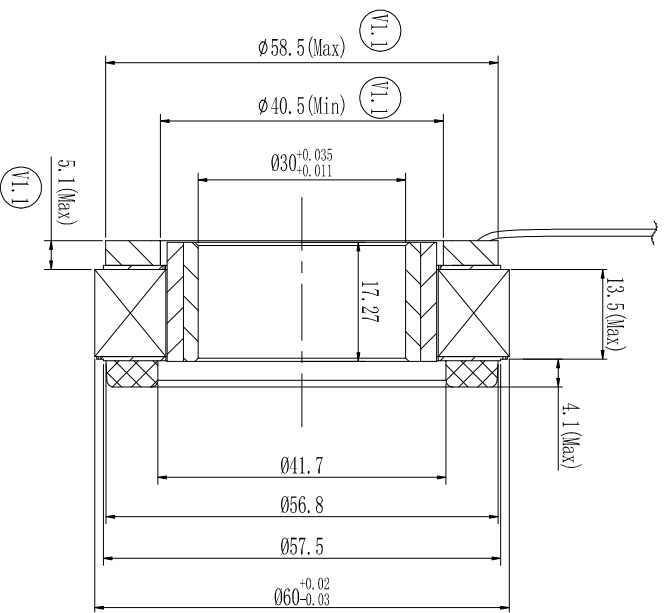


定义 FUNCTION	颜色 COLOR
U相 MOTOR U	兰 BLUE (18AWG)
V相 MOTOR V	棕 BROWN (18AWG)
W相 MOTOR W	紫 PURPLE (18AWG)

动力线 Power Wire



Performance Curve

技术要求:
 定子引出线按GB/T 7345-2008要求:
 对定子三相线, 每根引出线应能承受9N的拉力,
 试验后, 引出线不能断开, 绝缘层和线芯不能损坏。

VER	DESCRIPTION OF CHANGE	VER	ECN NO.	CHANGE	ZT
(V1.1)	增加出线端子包外圆与内圆尺寸 调整出线端子包最大高度	V1.3	KK220349		
V1.2	增加性能曲线	FINAL TOLERANCE REFERENCE GB/T 1804-m Unit:mm			
V1.3	改规格型号	≤6	±0.1	>6~30	±0.2
		>30~120	±0.3	>120~400	±0.5
		LINER			

Technical Data

No. of poles	16
DC Link Voltage U _{dc} (DC Link)	48
Rated Power P _n (W)	146
Rated Torque T _n (N.m)	0.45
Rated Speed n _n (rpm)	3100
Rated Current I _n (A)	4.2
Maximum torque T _m (N.m)	1.35
Maximum Current I _m (A)	13.4
Standstill torque T _s (N.m)	0.55
Standstill current I _s (A)	4.62
Resistance line-line R (Ω)	±10% 0.51at 25°C
Inductance line-line L _s (mH)	±20% 0.497
Electrical time constant τ _e (ms)	0.975
Mechanical time constant τ _m (ms)	0.9
Voltage constant K _v (V/krpm)	±5% 7.1
Torque constant K _t (Nm/A)	0.117
Rotor moment of inertia J _m (kg·cm ²)	0.141
Insulation class	F
Weight (Kg)	0.24

Feed back device	
Temperature Sensor	
Cooling method	Totally enclosed non-ventilated
Environmental conditions	guarantee the measured winding temperature is between -20°C and 120°C Below 90%RH (No dewing)
Installation altitude	for any active gas, combustible gas, oil drop, ash UP TO 1000m; rated power, above 1000m: 1.5% power decreasing per 100m, max. 1000m

SL	22.9.1	DESIGN	DATE	P/NO.	307070048SS
AP ^P D	DATE	SL	DATE	TITLE	Outside Drawing
CHECK	WJD	APPROVE	PHX	USED ON	FKM06013-0014-3130V-80K00
DESIGN	DATE	SCALE:	VER:	KINAVO MOTOR	
DATE	20-04-20		V1.3	SHEET OF	