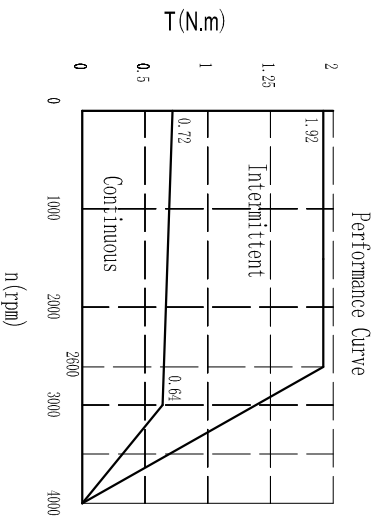
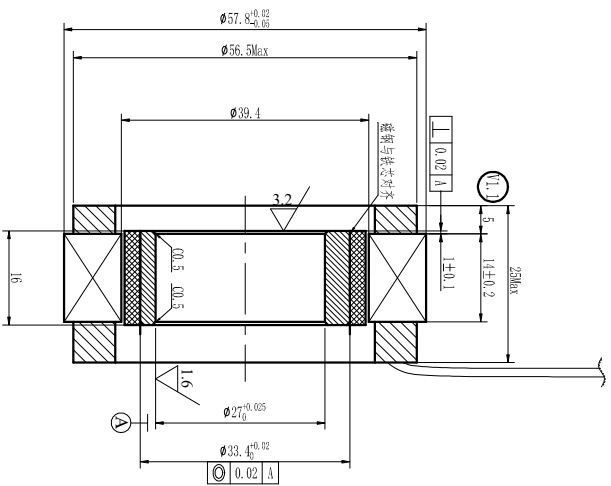
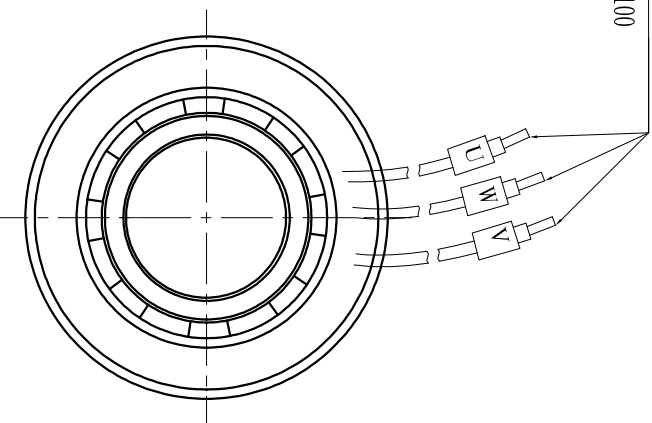


FUNCTION	COLOR
MOTOR U	BLUE (ZANMO)
MOTOR V	BROWN (ZANMO)
MOTOR W	PURPLE (ZANMO)

Power Wire

技术要求:
 定子引出线按GB/T 7345-2008要求:
 对定子三相线, 每根引出线应能承受9.0N的拉力;
 引出线不能断开, 绝缘层和线芯不能损坏。

动力线 (剥线5 搪锡)
 $L \geq 100$



DC BRUSHLESS SERVO MOTOR
FMC05714-0020-3027N-8DS00

W	200	V	48
A	3.1	Ma	0.64
RPM	3000	Ins	F

Kinavo Servo Motor (Changzhou) Ltd.
 MADE IN CHINA
 S/N: 307080XXXXYYDDNNNN

Technical Data

No. of poles	16
DC Link Voltage U _c (DC Link)	48
Rated Power P _N (W)	200
Rated torque T _N (N.m)	0.64
Rated Speed n (rpm)	3000
Rated Current I _N (A)	5.1
Maximum torque T _M (N.m)	1.92
Maximum Current I _M (A)	15.6
Standstill torque T _S (N.m)	0.72
Standstill current I _S (A)	5.74
Resistance line-line R _L (Ω)	±10% 0.72
Inductance line-line L _L (mH)	±20% 0.85
Electrical time constant τ _e (ms)	1.18
Mechanical time constant τ _m (ms)	1.47
Voltage constant K _v (V/rpm)	±5% 8
Torque constant K _t (Nm/A)	0.132
Rotor moment of inertia J _m (kg·cm ²)	0.206
Insulation class	F
Weight (kg)	0.21
Feet back device	
Temperature Sensor	
Cooling method	Totally enclosed non-ventilated
Environmental conditions	guarantee the measured winding temperature is between -20°C and 120°C
Humidity	Below 90%RH (No dewing)
Environment	For any active gas, combustible gas, oil drop, ash
Installation altitude	IP 10 1000m-rated power, above 1000m: 1.5% power decreasing per 100m max. 3000m

V1.1	K1220216	ZT	SL	22.8.16	DESIGN DATE	307080333SS
REV	ECN NO.	DRN	APP D	DATE	CHECK	TITLE
UNLESS OTHERWISE SPECIFIED		MATERIAL		CONTR.		外形图
TOLERANCES		ANGULAR		APPD		FMC05714-0020-3027N-8DS00
.x ±0.5		±0° 30'		SL		REV
.xx ±0.25				SCALE		V1.1
.xxx ±0.1				SHEET		
UNIT: mm				OF		
DO NOT SCALE DRAWING				KINAVO MOTOR		