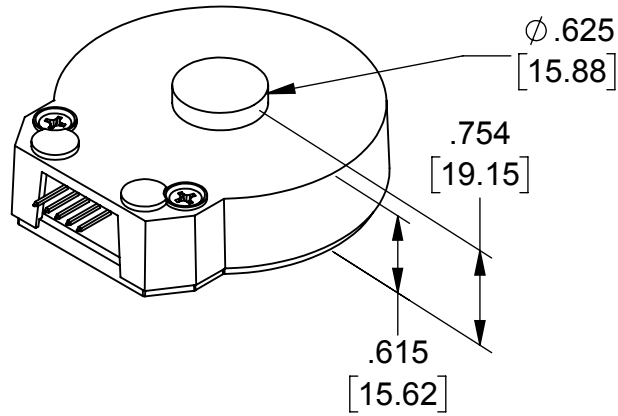


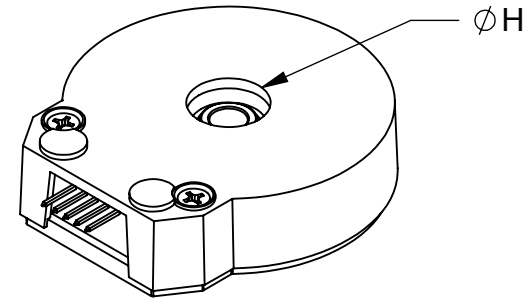
E3 Optical Kit Encoder (Base & Cover Options)

RELEASE DATE: 7/8/2019

E-OPTION COVER
(EXTENSION FOR SHAFT
LENGTHS UP TO .670 [17.02])

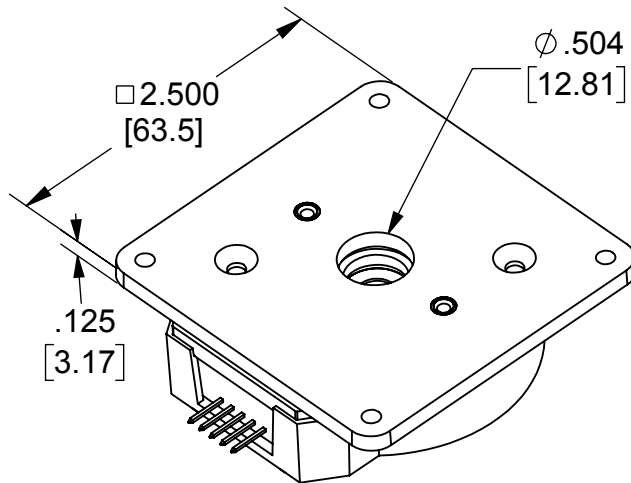


H-OPTION COVER (HOLE
FOR SHAFT LENGTHS
OVER .670 [17.02])



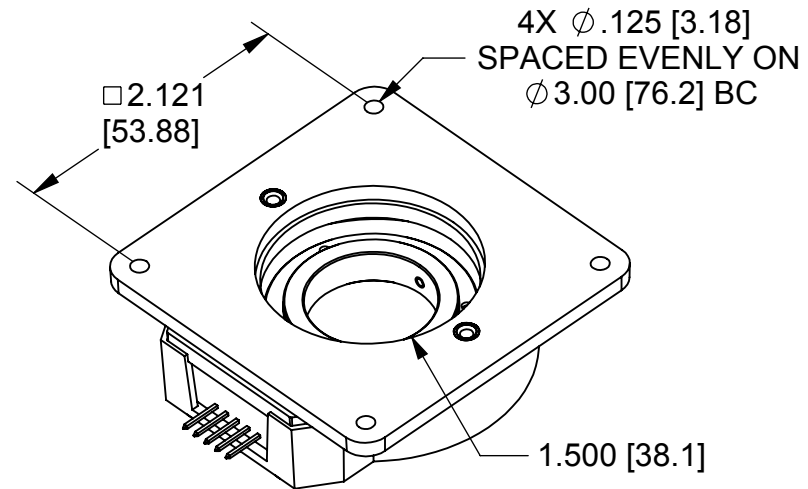
H = .550 [13.97] FOR SHAFT SIZES $\leq \phi .500 [12.7]$
H = 1.050 [26.67] FOR SHAFT SIZES $> \phi .500 [12.7]$

M-OPTION BASE
(MOUNTING PLATE)



FOR SHAFTS $\leq \phi .394 [10]$

REQUIRES AN ADDITIONAL .125 [3.18] SHAFT LENGTH



FOR SHAFTS $> \phi .394 [10]$



1400 NE 136th Avenue
Vancouver, Washington 98684, USA

info@usdigital.com
www.usdigital.com

Local: 360.260.2468
Toll-free: 800.736.0194

UNITS: INCHES [MM]
METRIC SHOWN FOR REFERENCE ONLY