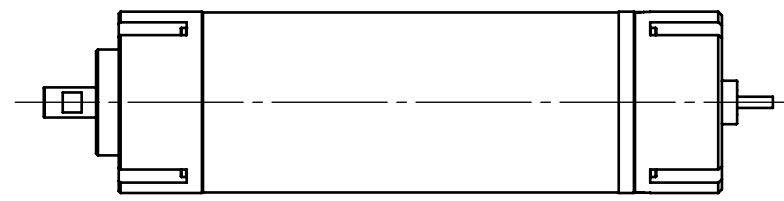
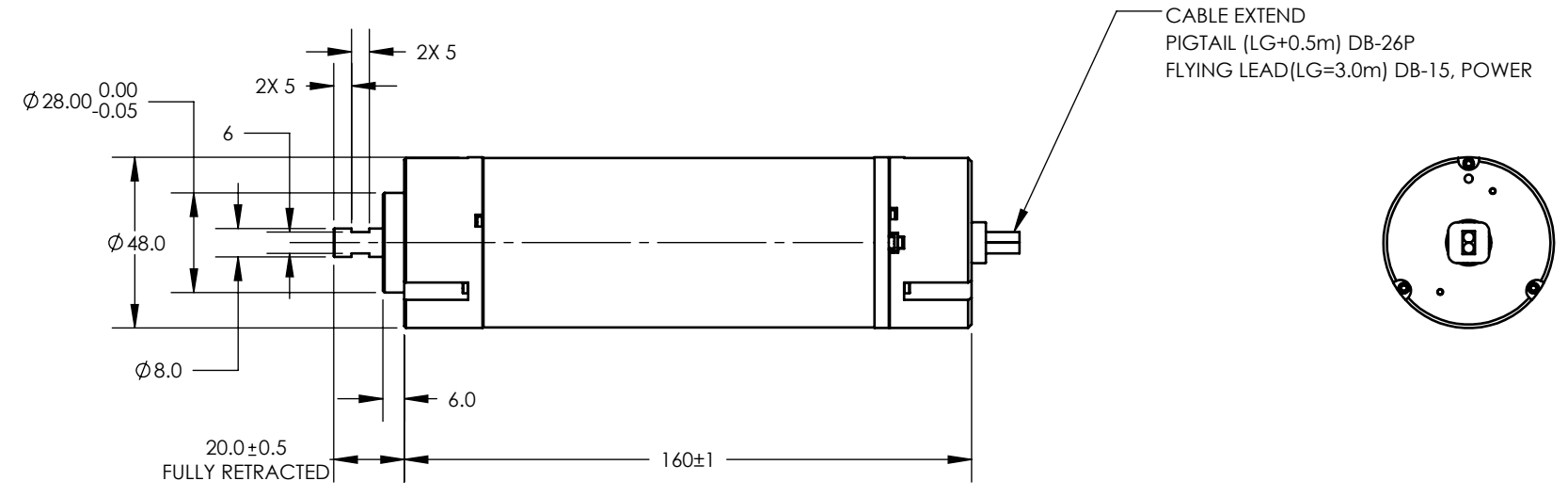
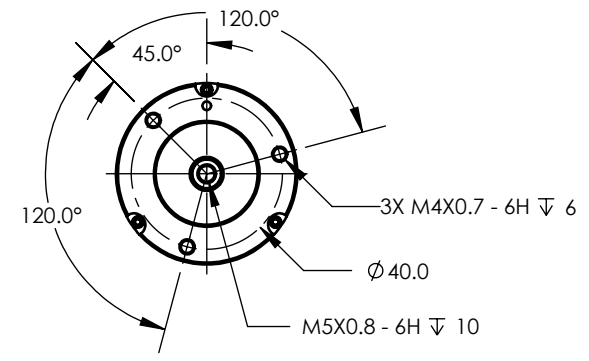


NOTES (UNLESS OTHERWISE SPECIFIED)

- 1. LINEAR SPECIFICATIONS:  
 LINEAR STROKE: 10 +1.5/0 mm  
 ENC. RESOLUTION(+A/-A;+B/-B): 1, 5  $\mu$ m  
 ENCODER REPEATABILITY:  $\pm$  4 COUNTS  
 INDEX LOCATION(+Z/-Z): 2.0 $\pm$ 0.5 FROM REAR STOP  
 OPERATING VOLTAGE: 24 Vdc / 48Vdc SINGLE PHASE  
 COIL RESISTANCE: 13.0 $\pm$ 1.3 Ohm (48V, THRU 3m FLYING LEAD)  
 PEAK FORCE: 47 N MIN.@ 48Vdc  
 FORCE CONSTANT: 12.7 N/A (48V)  
 MOVING MASS: 0.19 kg  
 TOTAL MASS: 1.1 kg (W/O CABLES), 1.3kg (W FLYING LEAD CABLE)
- 2. VACUUM OPTION: NO
- 3. SPRING OPTION: YES
- 4. OPERATING TEMPERATURE: 0°C TO 40°C
- 5. TOLERANCES  
 X.:  $\pm$ 0.5  
 X.X: 0.25

REVISIONS				
REV	ECR	DESCRIPTION	DATE	APPROVED
E	6558	REDRAWN, INITIAL RELEASE	10/30/2018	TW
F	6626	CHANGED INTERNAL PARTS, ADDED TOLERANCE TO SHAFT LENGTH	12/6/2018	TW
G	6694	CHANGED SHAFT, UPDATED SPEC.	2/27/2019	TW



DB-26P

PIN No	DB-26P
1	(L) PH. A+
2	(L) PH. B+
3	(L) PH. Z+
4	NC
5	NC
6	NC
7	NC
8	NC
9	NC
10	(L) PH. A-
11	(L) PH. B-
12	(L) PH. Z-
13	NC
14	NC
15	NC
16	NC
17	NC
18	NC
19	+5 VDC
20	5V RTN
21	(L) MOTOR+
22	(L) MOTOR+
23	(L) MOTOR-
24	(L) MOTOR-
25	NC
26	NC

DB-15P

PIN No	DB-15P
1	PH. A+
2	PH. Z+
3	PH. B+
4	+5 Vdc
5	NC
6	NC
7	NC
8	NC
9	PH. A -
10	PH. Z -
11	PH. B -
12	5V RTN
13	NC
14	NC
15	NC

POWER

PIN No	PHOENIX. 4P
1	GND
2	+V
3	MOTOR +
4	MOTOR -

UNLESS OTHERWISE SPECIFIED ALL DIMENSIONS ARE IN MM BREAK EDGES AND REMOVE BURRS TOLERANCES X: $\pm$ 0.5 X.X: $\pm$ 0.1 X.XX: $\pm$ 0.03 ANGLE: $\pm$ 0.1° CONCENTRICITY: $\pm$ 0.025 ROUNDNESS: $\pm$ 0.025 EDGE BREAKS: 0.2 MAX ALL DIMENSIONS AND TOLERANCES ARE FINAL	MATERIAL: SEE BOM	NAME TW	DATE 6/11/2018	<b>SMAC</b> 5807 VAN ALLEN WAY CARLSBAD CA, 92008 (760) 929-7588 <b>MOVING COIL ACTUATORS</b>
	FINISH: SEE BOM	DWN BY TW	6/11/2018	
	MACHINE FINISH: 1.6 ✓	CHK BY TMV	6/11/2018	
	INTERPRET PER: ASME Y14.5-2009	ENG APP TMV	6/11/2018	
REF. NUMBER CONTRACT	CTL50-010 STD	THE INFORMATION CONTAINED IN THIS DRAWING IS THE SOLE PROPERTY OF SMAC. ANY REPRODUCTION IN PART OR AS A WHOLE WITHOUT THE WRITTEN PERMISSION OF SMAC IS PROHIBITED.		TITLE: <b>ELECTRIC CYLINDER</b>
SIZE: B PART NO: CTL50-010-XX-2				REV: <b>G</b>
SCALE: 1:2 DO NOT SCALE				SHEET: 1 / 1