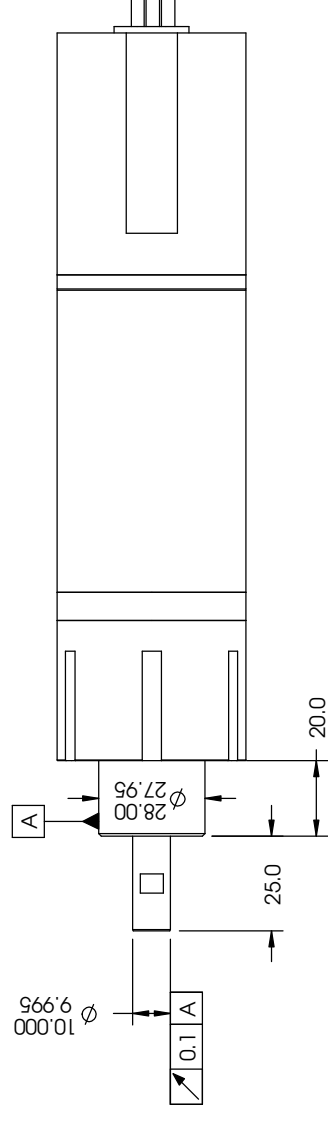
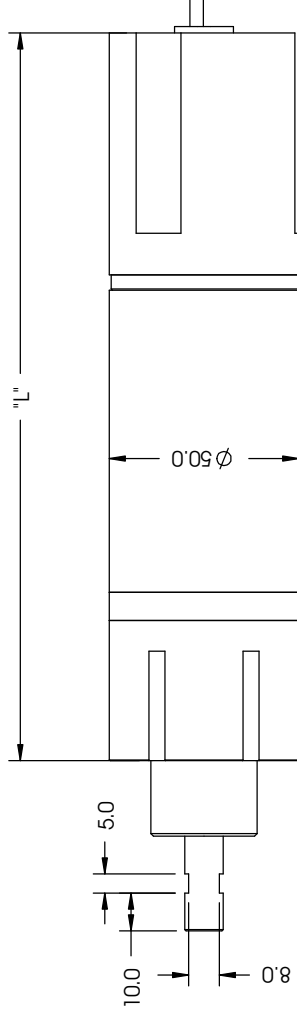
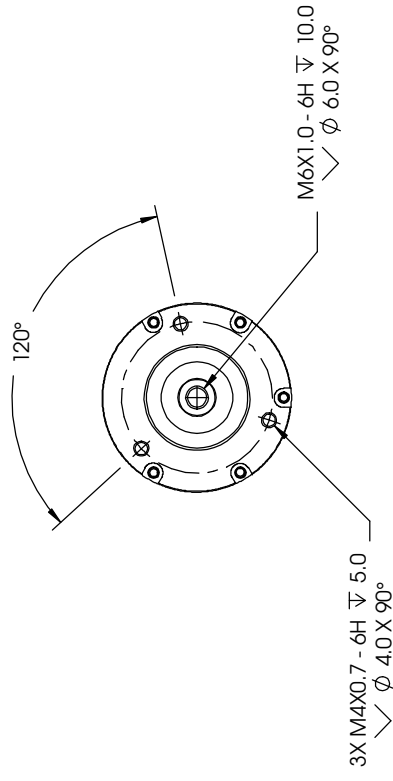
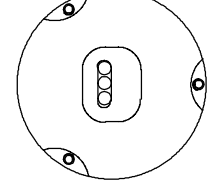


LINEAR SPECIFICATIONS:

ENCODER RESOLUTION: 5, 1µm
 ENCODER REPEATABILITY: ±4 COUNTS
 OPERATING TEMPERATURE: 0°C TO 65°C



REVISIONS				
REV	ECR	DESCRIPTION	DATE	APPROVED
A		INITIAL RELEASE	10/9/2014	MAC
B		UPDATE	7/20/2017	MAC
C		UPDATE	8/17/2017	MAC
D		UPDATED SPECIFICATION TABLE	10/3/2017	BJC



CBL50C-0XX-YY

No	DETAILS	UNIT	CBL50C-010-5X-1	CBL50C-010-5X-2	CBL50C-010-7X-1	CBL50C-010-7X-2	CBL50C-025-5X-1	CBL50C-025-5X-2	CBL50C-025-7X-1	CBL50C-025-7X-2
1	LINEAR STROKE	mm	10	10	10	10	25	25	25	25
2	PEAK FORCE	N	33	49	40	100	23	40	40	70
3	FORCE CONSTANT	N/A	22	16	26	33	15	13	26	23
4	MAXIMUM CURRENT	A	1.5	3	1.5	3	1.5	3	1.5	3
5	COIL RESISTANCE	Ohm	15	8	29	15	15	8	29	15
6	MOVING MASS	kg	0.14	0.21	0.14	0.21	0.15	0.24	0.15	0.24
7	TOTAL MASS	kg	1.29	1.8	1.29	1.8	1.38	2.25	1.38	2.25
8	DIMENSION "L"	mm	177.5	220.5	177.5	220.5	192.5	255.5	192.5	255.5
9	COIL INDUCTANCE	mH	1.98				2.17			

SMAC
 5807 VAN ALLEN WAY
 CARLSBAD CA, 92008
 (760) 929-7588

MATERIAL:
 UNLESS OTHERWISE SPECIFIED
 ALL DIMENSIONS ARE IN MM
 BREAK EDGES AND REMOVE BURRS
 TOLERANCES
 X: ±0.5 XX: ±0.1
 XXX: ±0.03 ANGLE: ±0.1°
 CONCENTRICITY: ±0.025
 ROUNDNESS: ±0.025
 EDGE BREAKS 0.2 MAX
 ALL DIMENSIONS AND TOLERANCES
 ARE FINAL

FINISH:
 MACHINE FINISH: 1.6/
 INTERPRET PER: ASME Y14.5-2009
 THIRD ANGLE PROJECTION

NAME: MAC
DATE: 4/14/2018
MOVING COIL ACTUATORS

PROPRIETARY AND CONFIDENTIAL

REV: B
SCALE: 1:2
DO NOT SCALE

REV: D
SCALE: 1:1