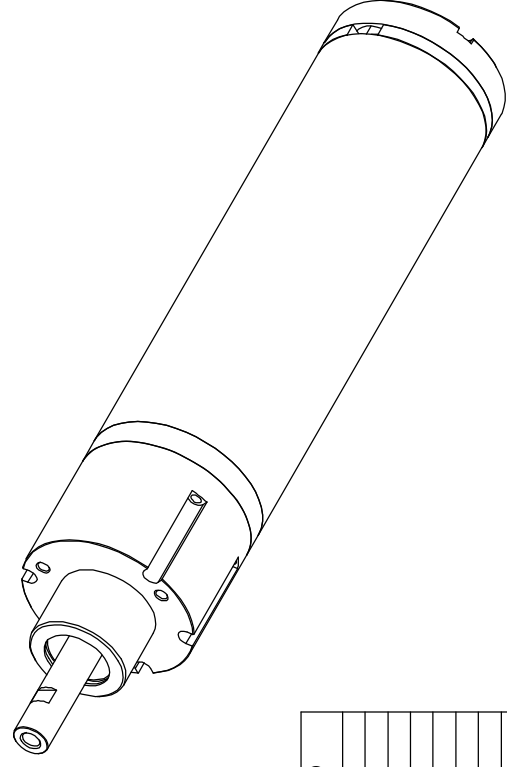
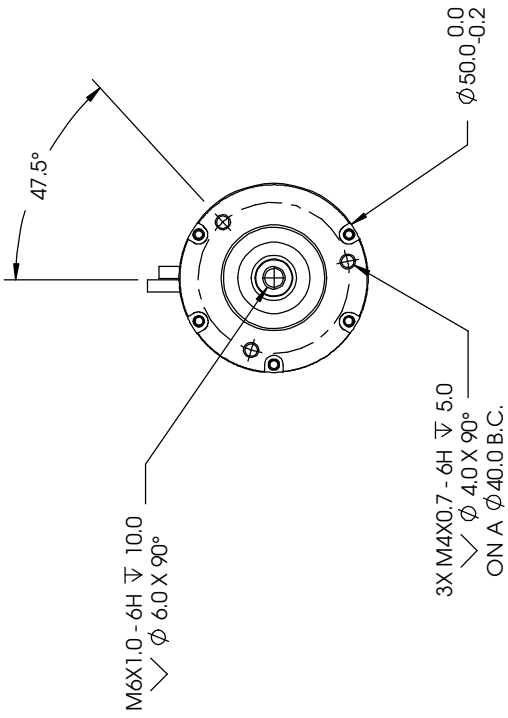


**LINEAR SPECIFICATION:**

ENCODER RESOLUTION: 5, 1µm  
 ENCODER REPEATABILITY: ±4 COUNT  
 OPERATING TEMPERATURE: 0°C TO 65°

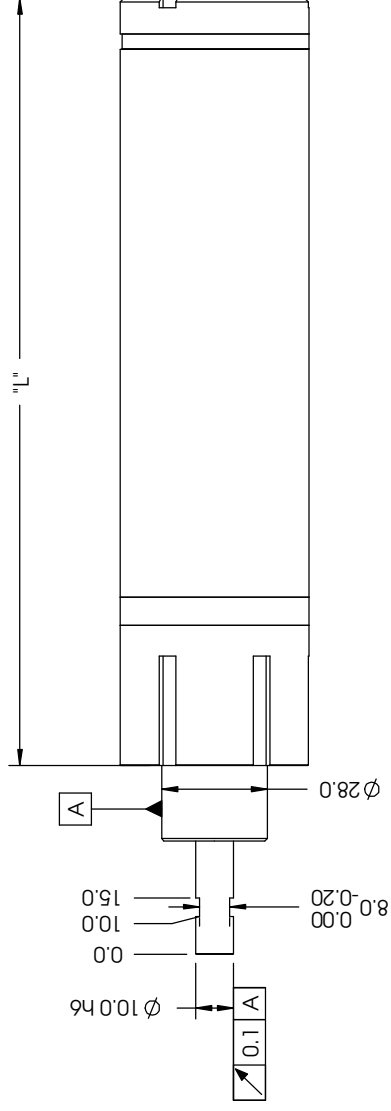
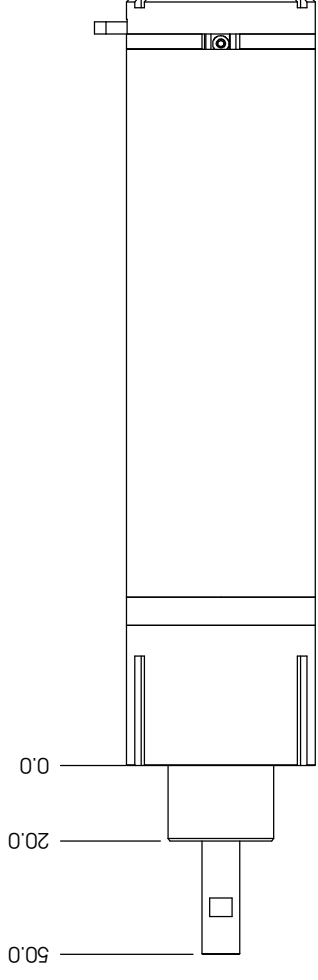


PIN No	DB-26P
1	(L) PH. A+
2	(L) PH. B+
3	(L) PH. Z+
4	NC
5	NC
6	I/O RTN
7	NC
8	NC
9	NC
10	(L) PH. A-
11	(L) PH. B-
12	(L) PH. Z-
13	NC
14	NC
15	NC
16	NC
17	NC
18	NC
19	+5VDC
20	5V RTN
21	L COIL +
22	L COIL -
23	L COIL -
24	L COIL -
25	NC
26	NC

PIN No	DB-15P
1	PH. A+
2	PH. Z+
3	PH. B+
4	+5VDC
5	NC
6	NC
7	NC
8	NC
9	PH. A-
10	PH. Z-
11	PH. B-
12	5V RTN

**POWER**

PIN No	DETAIL
1	V RTN
2	+V
3	COIL +
4	COIL -



CBL50-0XX-YY										
No	DETAILS	UNIT	CBL50-010-5X-1	CBL50-010-5X-2	CBL50-010-7X-1	CBL50-010-7X-2	CBL50-025-5X-1	CBL50-025-5X-2	CBL50-025-7X-1	CBL50-025-7X-2
1	LINEAR STROKE	mm	10	10	10	10	25	25	25	25
2	PEAK FORCE	N	33	49	40	100	23	40	40	70
3	FORCE CONSTANT	N/A	22	16	26	33	15	13	26	23
4	MAXIMUM CURRENT	A	1.5	3	1.5	3	1.5	3	1.5	3
5	COIL RESISTANCE	Ohm	15	8	29	15	15	8	29	15
6	MOVING MASS	Kg	0.14	0.21	0.14	0.21	0.15	0.24	0.15	0.24
7	TOTAL MASS	Kg	1.14	1.7	1.14	1.7	1.3	2.1	1.3	2.1
8	DIMENSION "L"	mm	123	166	123	166	138	203	138	203
9	COIL INDUCTANCE	mH	1.98							

**SMAC**  
 MOVING COIL ACTUATORS  
 CBL50-0XX-YY

NAME: MAC DATE: 11/27/2013  
 DWN BY: TMV DATE: 4/14/2014  
 CHK BY: ENG APP  
 MFG APP  
 QA APP

5807 VAN ALLENWAY  
 CARLSBAD CA, 92008  
 (760) 929-7988

REVISIONS

REV	DESCRIPTION	DATE	APPROVED
A	INITIAL RELEASE	2/24/2014	MAC
B	CORRECTED FORCE DATA	7/9/2014	MAC
C	ADD -5, -7	7/31/2014	MAC
D	ADD 025-7	6/15/2015	MAC
E	CHG 025-6	6/18/2015	MAC
F	NEW NUMBERING SYSTEM	2/29/2016	MAC
G	UPDATE	7/20/2017	MAC
H	UPDATED MASS AND LENGTH	10/02/2017	BJC

UNLESS OTHERWISE SPECIFIED  
 ALL DIMENSIONS ARE IN MM  
 BREAK EDGES AND REMOVE BURRS  
 TOLERANCES: X: ±0.5 XX: ±0.1  
 ANGLES: ±0.1°  
 CONCENTRICITY: ±0.025  
 ROUNDNESS: ±0.025  
 EDGE BREAKS: 0.2 MAX  
 ALL DIMENSIONS AND TOLERANCES ARE FINAL

MATERIAL: UNLESS OTHERWISE SPECIFIED  
 FINISH: UNLESS OTHERWISE SPECIFIED  
 MACHINE FINISH: 1.6  
 INTERPRET PER: ASME Y14.5-2009  
 THIRD ANGLE PROJECTION

REF. NUMBER: CBL50 CONTRACT: CBL50

THE INFORMATION CONTAINED IN THIS DRAWING IS THE PROPERTY OF SMAC. NO REPRODUCTION OR TRANSMISSION OF THIS DRAWING IS PERMITTED WITHOUT THE WRITTEN PERMISSION OF SMAC. UNLESS OTHERWISE SPECIFIED.

SCALE: 1:2 DO NOT SCALE

REV: H

SHEET: 1/1