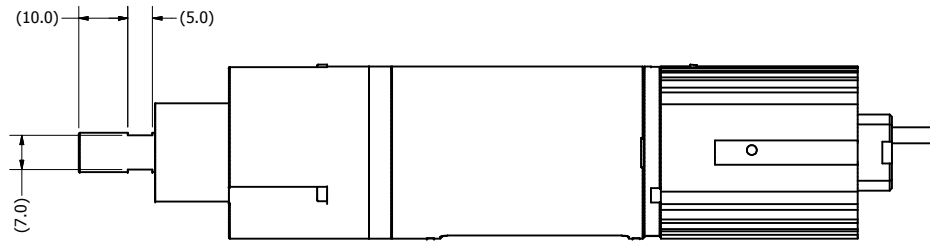
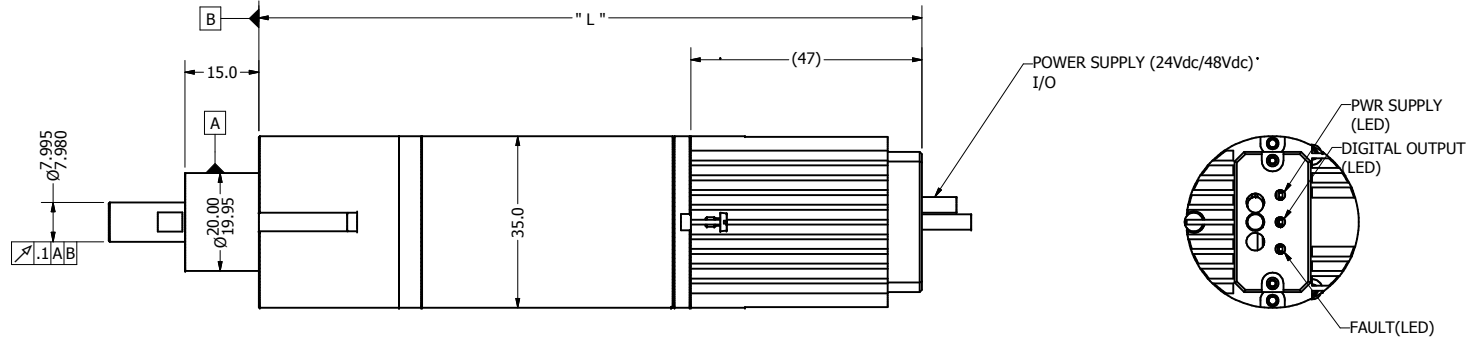
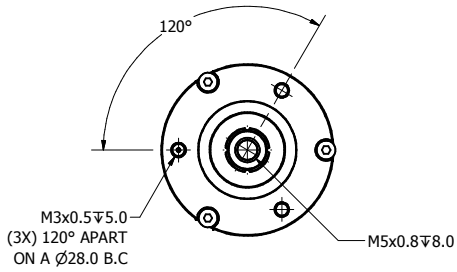


**LINEAR SPECIFICATONS:**

ENCODER RESOLUTION: 5, 1  $\mu$ m  
 ENCODER REPEATABILITY:  $\pm 4$  encoder count  
 OPERATING TEMPERATURE: 0°C TO 65°C  
 ALL DIMENSIONS ARE IN mm

REVISION HISTORY				
REV	DATE	ECN	DESCRIPTION	APPROVED
B	01/21/2016		MASS PRO	TOAN VU



		CBL35C-0XX-YY							
No	Details	UNIT	CBL35C-010-5X-1	CBL35C-010-5X-3	CBL35C-010-7X-1	CBL35C-010-7X-3	CBL35C-015-5X-1	CBL35C-025-5X-1	CBL35C-025-7X-1
1	LINEAR STROKE	mm	10	10	10	10	15	25	25
2	PEAK FORCE	N	15	31	22	61	10	8.5	14
3	FORCE CONSTANT	N/A	9	14.8	13.4	15.0	7	5.8	8.8
4	MAXIMUM CURRENT	A	1.5	2.2	1.6	4.3	1.5	1.6	1.6
5	COIL RESISTANCE	Ohm	16	11	29	11	16	16	29
6	MOVING MASS	kg	0.04	0.1	0.04	0.1	0.06	0.06	0.06
7	TOTAL MASS	kg	0.52	1.02	0.52	1.02	0.57	0.67	0.67
8	DIMENSION (L)	mm	135	217	135	217	140	150	150
9									

TOLERANCES ARE: X ± 0.50 X.X ± 0.1 X.XX ± 0.05 X.XXX ± ANGULARITY ± 0.1° CONCENTRICITY ± 0.01 ROUNDNESS ± 0.05 EDGE BREAK 0.02 MAX CHAMFER 0.03 MAX		MATERIAL:           EXCEPT NOTED PROTECTIVE FINISH: NIKKEL SEE NOTE SPEC. NUMBER: NONE		<b>SMAC</b>		REF. NUMBER <b>CBL35</b>
HEAT TREATMENT: TOAN VU	DESIGNED BY: TOAN VU	DATE: 9/26/2014	CHECKED BY:	DATE:	CONTRACT: CBL35C	
DRAWN BY: ROBIN VU	DATE: 1/21/2016	APPROVED BY:	DATE:			
MACHINE FINISH:  3.2	PART NAME: <b>CBL35C-0XX-YY-Z</b>	SHEET NUMBER: <b>1 OF 1</b>				
SCALE: <b>NONE</b>	DWG SIZE: <b>C</b>	PART NUMBER: <b>CBL35C-0XX-YY-Z</b>	REVISION: <b>B</b>			
FILE NAME: CBL35C-0XX-YY_B.idw		DO NOT SCALE DWG				