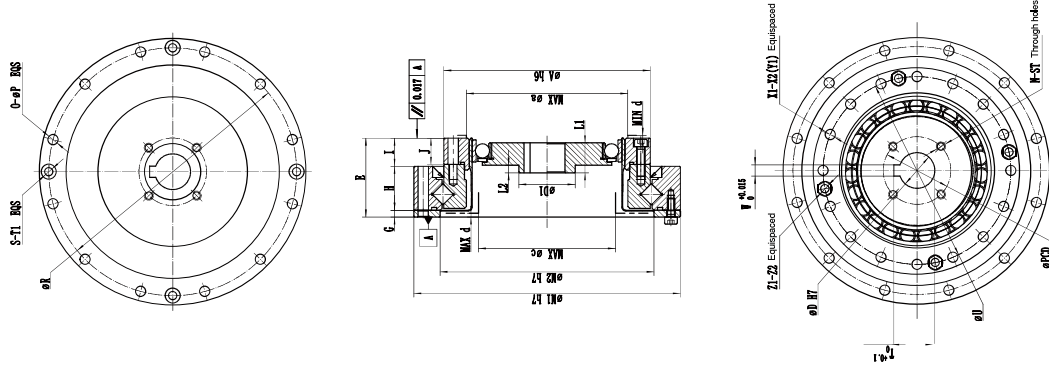


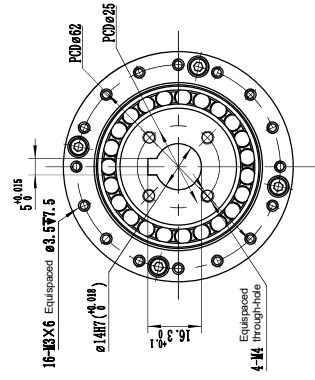
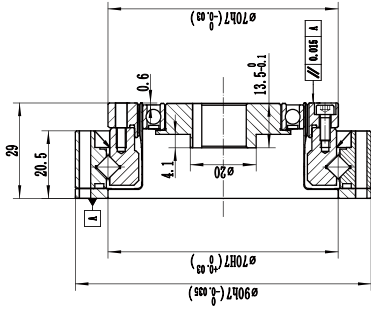
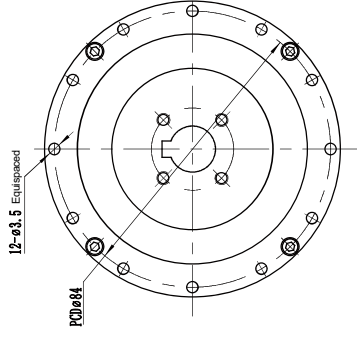
WSHG-I Series Dimensional Drawing



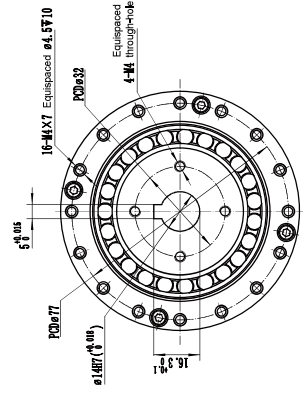
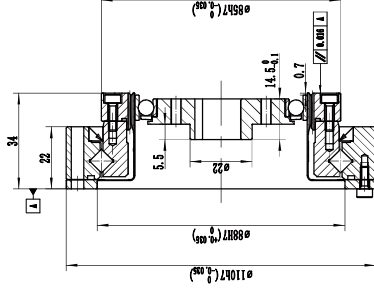
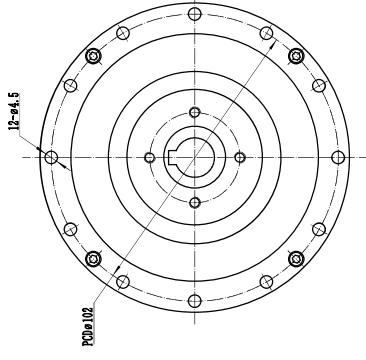
WSHG-I Series Dimension

Model Symbol	14	17	20	25	32
ΦA h6	50	60	70	85	110
ΦD	8	8	14	14	19
L1	10	12.5	13.5	14.5	16
L2	2.9	4.9	4.1	5.5	4.1
D1	14	16	20	22	30
T	9.4	9.4	16.3	16.3	21.8
W	3	3	5	5	6
PCD	18	22	25	32	36
N	2	4	4	4	4
ST	M3	M3	M4	M4	M5
E	23.5	26.5	29	34	42
G	2.4	3	3	3.3	3.6
H	14.1	16	17.5	18.7	23.4
I	7	7.5	8.5	12	15
J	6	6.5	7.5	10	14
K	0.5 ± 0.2	0.6 ± 0.2	0.8 ± 0.2	0.7 ± 0.2	0.9 ± 0.2
φM1 h7	70	80	90	110	142
φM2 h7	48	60	70	88	114
O	8	12	12	12	12
φP	3.5	3.5	3.5	4.5	5.5
φR	64	74	84	102	132
S	2	4	4	4	4
T1	M3x6 Screw	M3x6 Screw	M3x10 Screw	M3x6 Screw	M3x10 Screw
T2	22.5°	15°	15°	15°	15°
φU	44	54	62	77	100
X1	8	16	16	16	16
X2	M3x5	M3x6	M3x6	M4x7	M5x8
Y1	Φ 3.5x6	Φ 3.5x6.5	Φ 3.5x7.5	Φ 4.5x10	Φ 5.5x14
Z1	4	4	4	4	4
Z2	M3x6 Screw	M3x8 Screw	M3x6 Screw	M3x10 Screw	M3x16 Screw
φa	38	45	53	66	86
b	1	1	1.5	1.5	1.5
φC	31	38	45	56	73
d	1.7	2.1	2	2	2
Weight (kg)	0.4	0.57	0.78	1.29	2.92

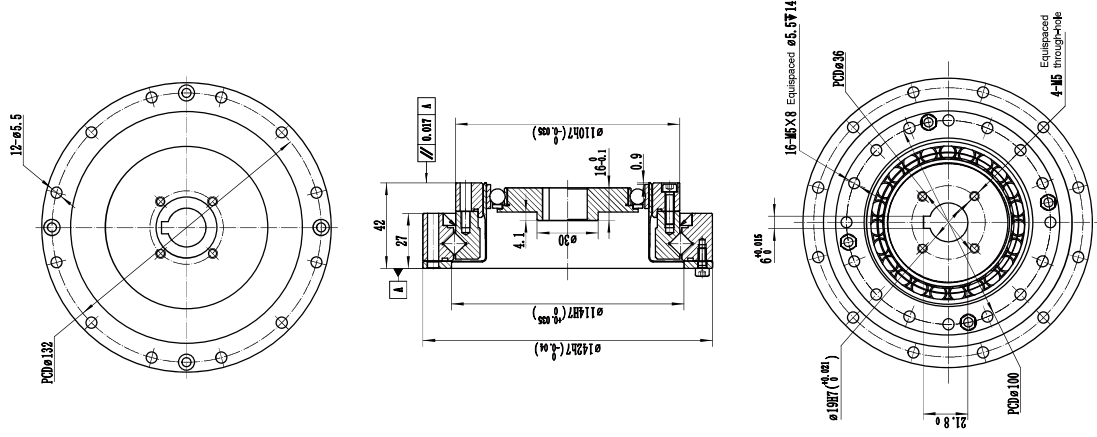
WSHG-20-XXX-I



WSHG-25-XXX-I



WSHG-32-XXX-I

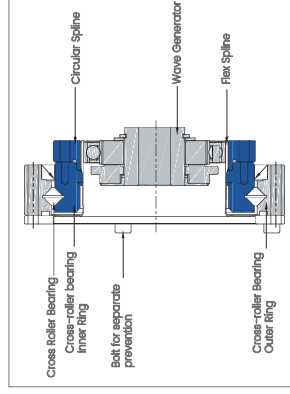


WSHG-II Series Reducer



WSHG-II series reducer

WSHG-II Series flex spline is hollow hot type structure, compact structure, input shaft is connected through the cross-sliding coupling and wave generator inner hole, can use by the connection way of fix the circular spline, flex spline output, or fix flex spline end, and circular spline output connection to use.



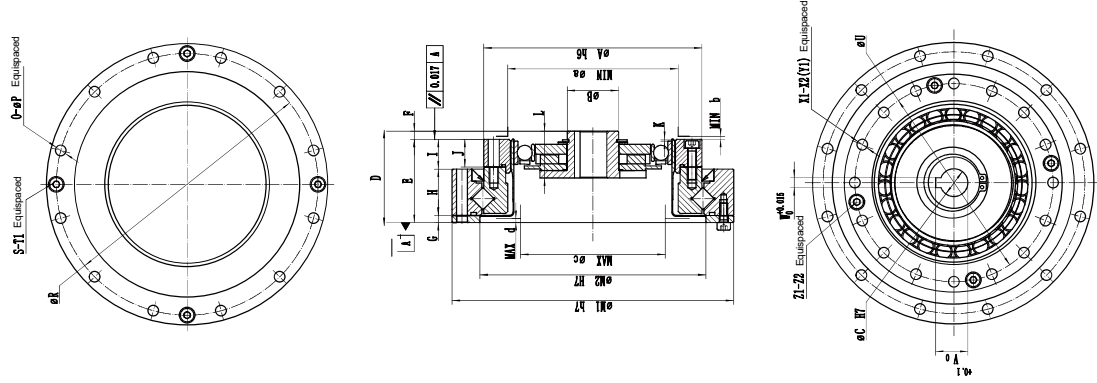
WSHG-II Series Features

- 1.Flat Shape, one-piece CAM structure
- 2.Compact, simple design
- 3.No backlash
- 4.Input-output coaxial
- 5.Excellent positioning and rotation accuracy

WSHG-II Series Performance Parameter

Model	Ratio	Rated torque at 2000r/min N·m	Allowable maximum starting & stopping torque N·m	Allowable maximum torque at average load N·m	Instantaneous allowable maximum torque N·m	Allowable maximum input speed /min	Allowable average input speed /min	Backlash arc-sec	Lifespan hrs
14	50	6.3	21	8	42	8000	3500	15	10000
	80	9	27	13	55			15	15000
	100	9	33	13	63			15	15000
17	50	19	40	31	82	7000	3500	15	10000
	80	26	50	32	102			15	15000
	100	28	63	46	129			15	15000
20	50	30	66	40	115	6000	3500	15	10000
	80	40	87	55	149			15	15000
	100	47	97	58	172			15	15000
25	120	47	102	58	172			15	15000
	50	46	114	65	218			15	10000
	80	74	180	102	299	5500	3500	15	15000
32	100	78	184	126	332			15	15000
	120	78	196	126	356			15	15000
	50	89	253	126	448			15	10000
32	80	138	356	196	665			15	15000
	100	160	370	253	757	4500	3500	15	15000
	120	160	413	253	803			15	15000

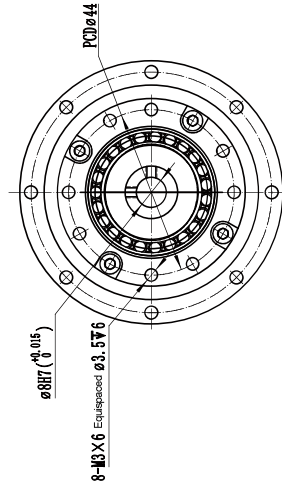
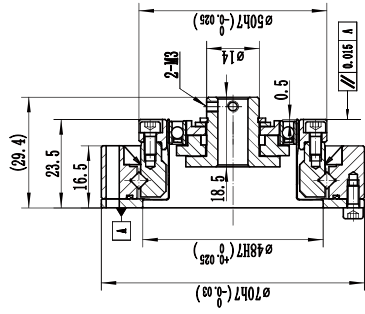
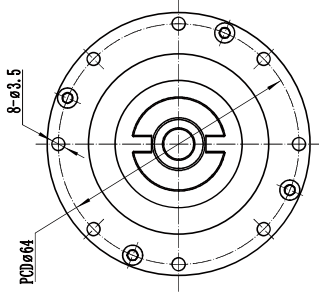
WSHG-II Series Dimensional Drawing



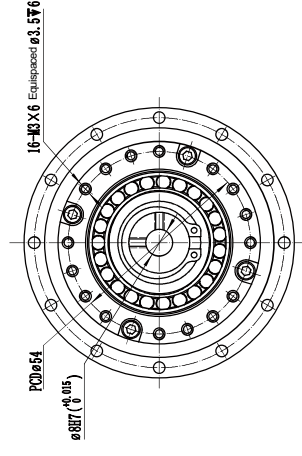
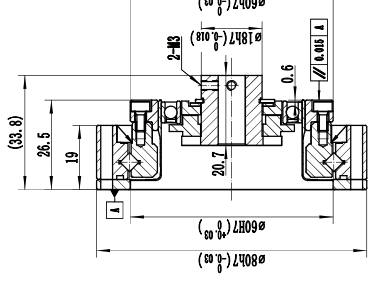
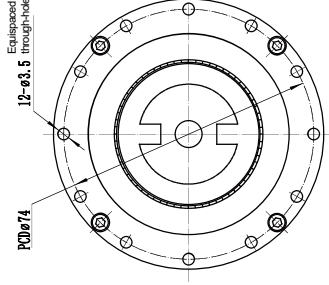
WSHG-II Series Dimension

Symbol	Model	14	17	20	25	32
φA h6		50	60	70	85	110
φB		14	18	21	26	26
φC H7		8	8	14	14	14
D		29.4	33.8	34.8	38.7	46.1
E		23.5	26.5	29	34	42
F		5.9	7.3	5.8	4.7	4.1
G		2.4	3	3	3.3	3.6
H		14.1	16	17.5	18.7	23.4
I		7	7.5	8.5	12	15
J		6	6.5	7.5	10	14
K		0.5	0.6	0.6	0.7	0.9
L		18.5 ^{±0.1}	20.7 ^{±0.1}	21.5 ^{±0.1}	21.6 ^{±0.1}	23.6 ^{±0.1}
φM1 h7		70	80	90	110	142
φM2 H7		48	60	70	88	114
O		8	12	12	12	12
φP		3.5	3.5	3.5	4.5	5.5
φR		64	74	84	102	132
S		4	4	4	4	4
T1	M3×6 Screw	M3×6 Screw	M3×8 Screw	M3×10 Screw	M3×10 Screw	M3×10 Screw
T2	22.5°	15°	15°	15°	15°	15°
φU		44	54	62	77	100
V		-	-	16.3	16.3	16.3
W JS9		-	-	5	5	5
X1	EQUIPACED 8 OF 12	EQUIPACED 16 OF 20	16	16	16	16
X2	M3×5	M3×6	M3×6	M4×7	M5×8	
Y1	φ3.5×6	φ3.5×6.5	φ3.5×7.5	φ4.5×10	φ5.5×14	
Z1	4	4	4	4	4	4
Z2	M3×6 Screw	M3×6 Screw	M3×8 Screw	M3×10 Screw	M4×16 Screw	
a		38	45	53	66	86
b		1	1	1.5	1.5	1.5
φc		31	38	45	56	73
d		1.7	2.1	2	2	2
Weight(Kg)		0.41	0.57	0.81	1.31	2.94

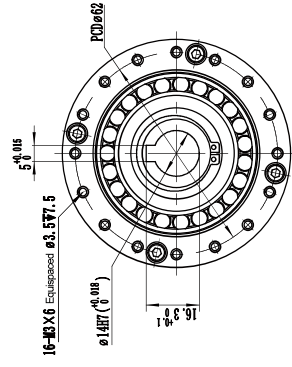
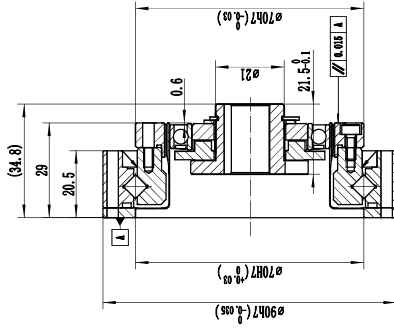
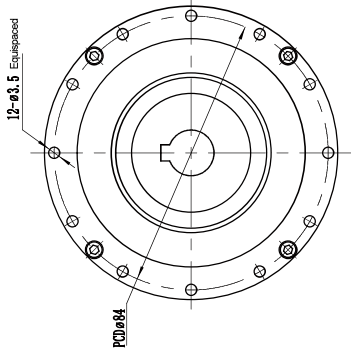
WSHG-14-XXX-II



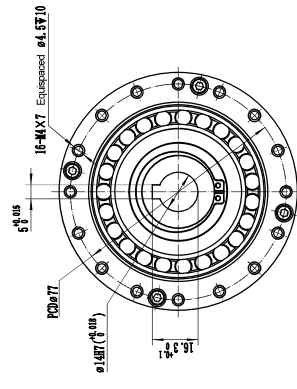
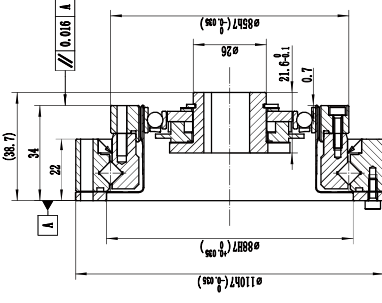
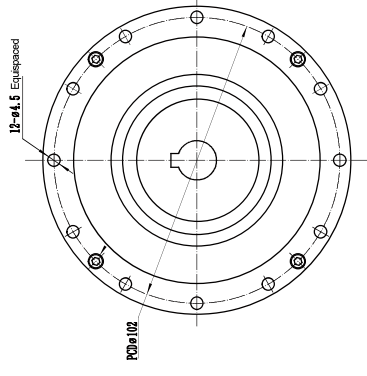
WSHG-17-XXX-II



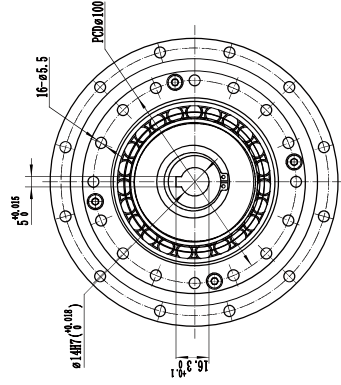
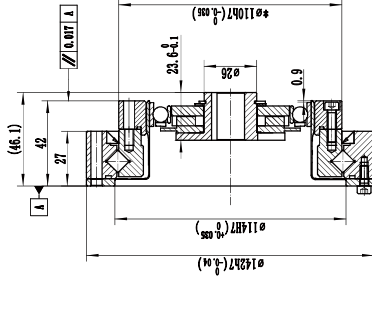
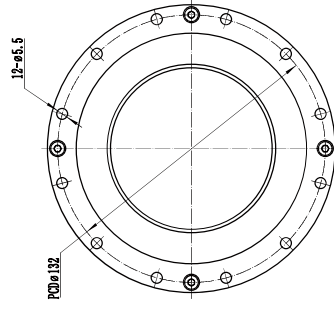
WSHG-20-XXX-II



WSHG-25-XXX-II



WSHG-32-XXX-II

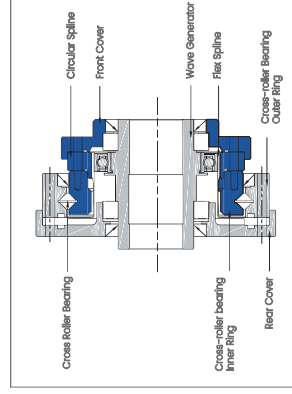


WSHG-III Series Reducer



WSHG-III series reducer

WSHG-III Series flex spline is a hollow hat-shaped standard structure. The wave generator is a hollow elliptical shaft with a large diameter. The reducer is designed with a roller cross bearing inside, fully sealed, easy to install, and suitable for applications of threading through the reducer center.



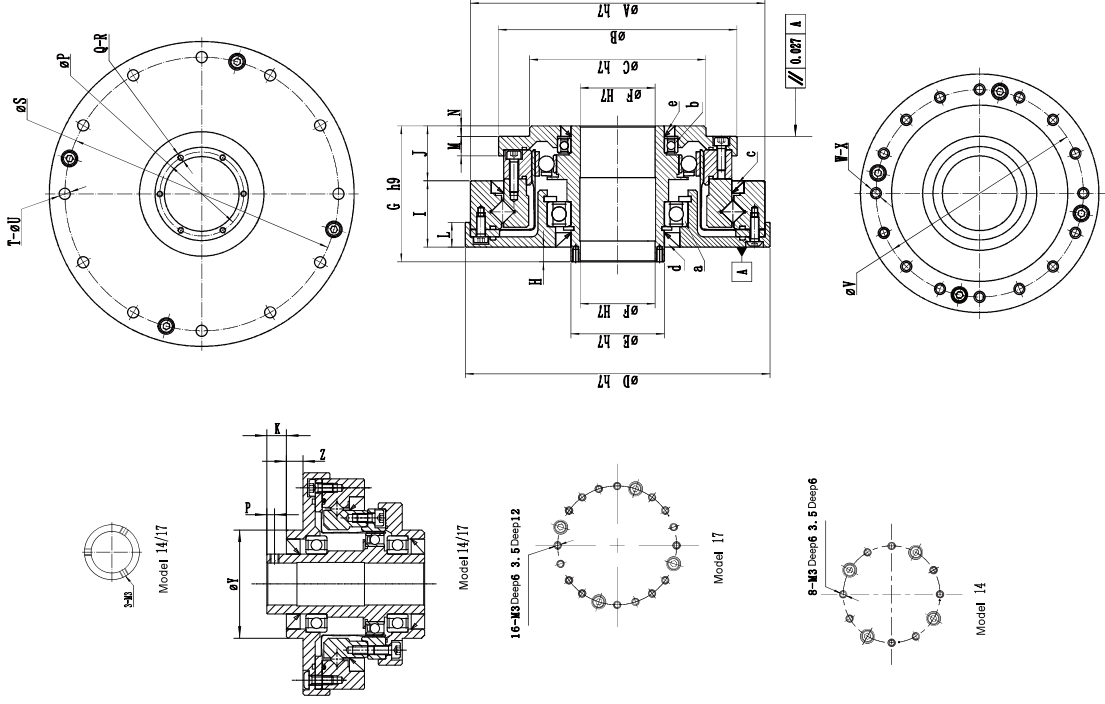
WSHG-III Series Features

- 1.Large diameter, hollow hole
- 2.Compact, simple design
- 3.No backlash
- 4.Input-output coaxial
- 5.Excellent positioning and rotation accuracy

WSHG-III Series Performance Parameter

Model	Ratio	Rated torque at 2000r/min N·m	Allowable maximum starting & stopping torque N·m	Allowable maximum torque at average load N·m	Instantaneous allowable maximum torque N·m	Allowable maximum input speed r/min	Allowable average input speed r/min	Backlash arc-sec	Lifespan hrs
14	50	6.3	9	21	8	8000	3500	15	10000
	80	9	27	13	55			15	15000
	100	9	33	13	63			15	15000
17	50	19	40	31	82	7000	3500	15	10000
	80	26	50	32	102			15	15000
	100	28	63	46	129			15	15000
20	50	30	66	40	115	6000	3500	15	10000
	80	40	87	55	149			15	15000
	100	47	97	58	172			15	15000
25	50	47	102	58	172			15	15000
	80	64	134	81	239	5500	3500	15	10000
	100	74	160	102	299			15	15000
32	50	78	184	126	332			15	15000
	80	106	253	166	448			15	10000
	100	138	356	196	665			15	15000
32	100	160	370	253	757	4500	3500	15	15000
	120	180	413	253	803			15	15000

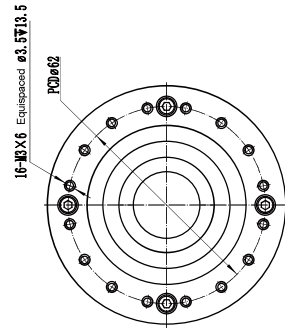
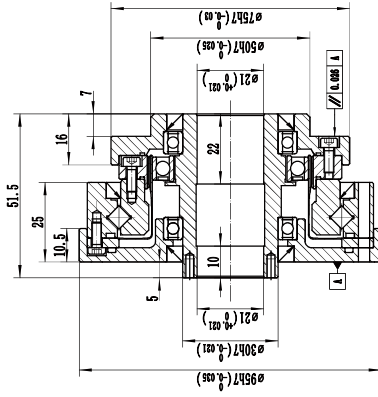
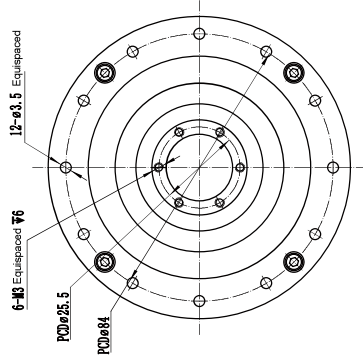
WSHG-III Series Dimensional Drawing



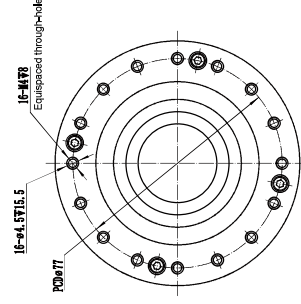
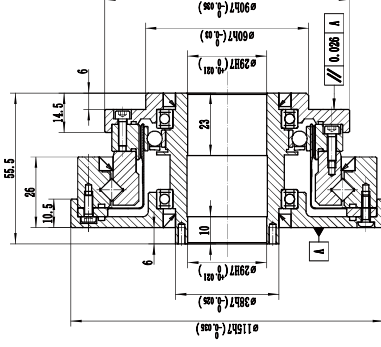
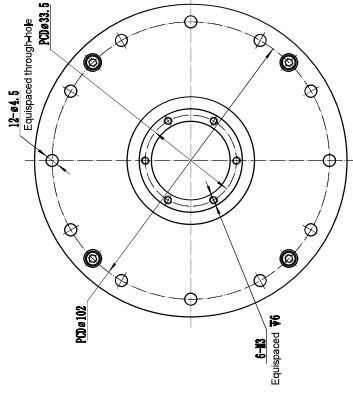
WSHG-III Series Dimension

Symbol	Model	14	17	20	25	32
ΦA h7		70	80	90	110	142
ΦB		54	64	75	90	115
ΦC h7		36	45	50	60	85
ΦD h7		74	84	95	115	147
ΦE h7		20	25	30	38	45
ΦF H7		14	19	21	29	36
G		52.5	56.5	51.5	55.5	65.5
H		12	12	5	6	7
I		20.5	23	25	26	32
J		20	21.5	21.5	23.5	26.5
K		6.5	6.5	-	-	-
L		9	10	10.5	10.5	12
M		8	8.5	9	8.5	9.5
N		7.5	8.5	7	6	5
φP (P)		(2.50)	(2.50)	25.5	33.5	40.5
Q		-	-	6	6	6
R		-	-	M3×6 Screw	M3×6 Screw	M3×6 Screw
φS		64	74	84	102	132
T		8	12	12	12	12
φU		3.5	3.5	3.5	4.5	5.5
φV		44	54	62	77	100
W		8	16	16	16	16
X		M3×6 φ3.5×6	M3×6 φ3.5×12	M3×6 φ3.5×13.5	M4×7 φ4.5×15.5	M5×8 φ5.5×20.5
φY		36	45	-	-	-
Z		5.5	5.5	-	-	-
a		6804ZZ	6805ZZ	6806ZZ	6808ZZ	6809ZZ
b		6804ZZ	6805ZZ	6806ZZ	6808ZZ	6809ZZ
c		D49585	D59685	D69785	D84945	D1101226
d		S20304.5	S25356	S30405	S38475	S45607
e		S20304.5	S25356	S30405	S38475	S45555
Weight(kg)		0.71	1	1.38	2.1	4.5

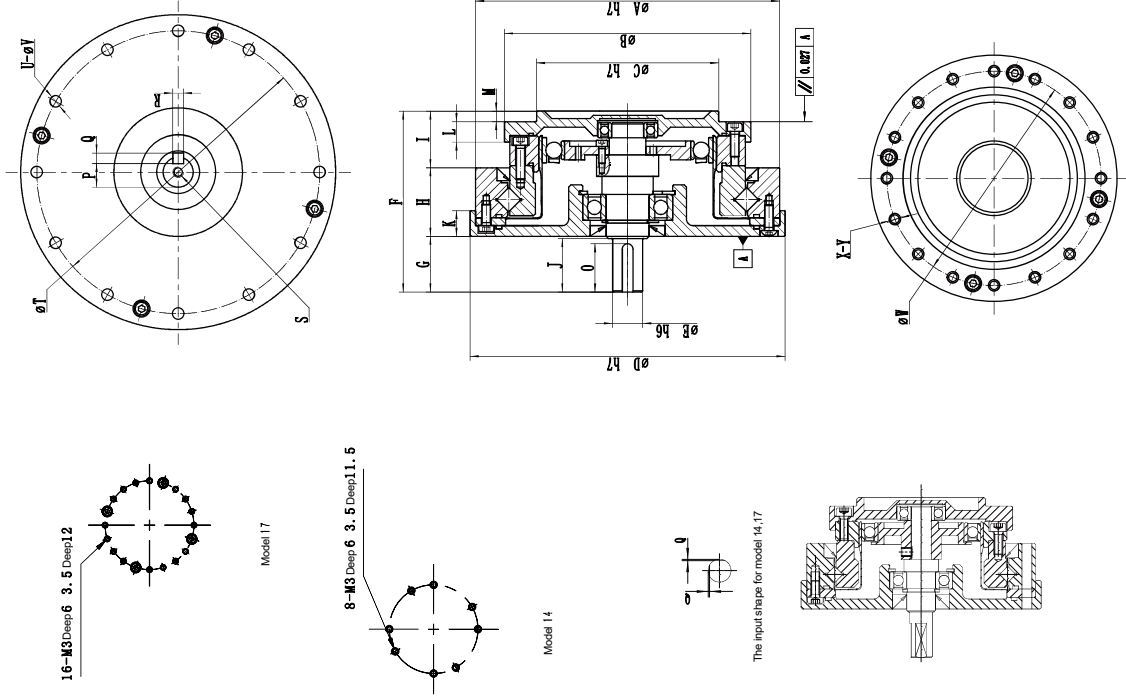
WSHG-20-XXX-III



WSHG-25-XXX-III



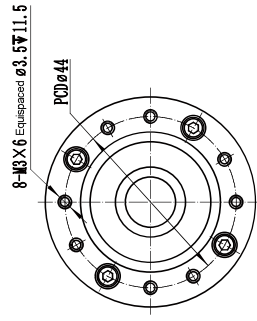
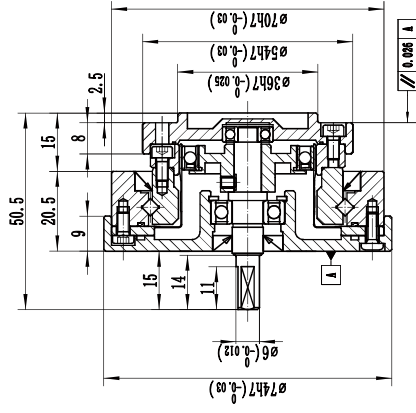
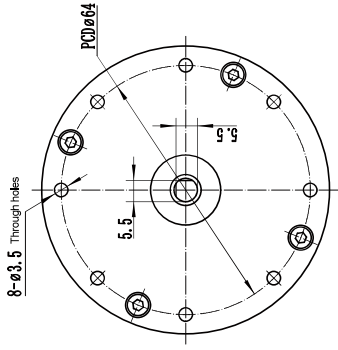
WSHG-IV Series Dimensional Drawing



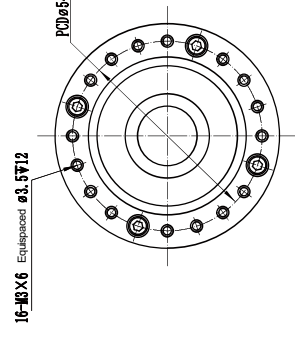
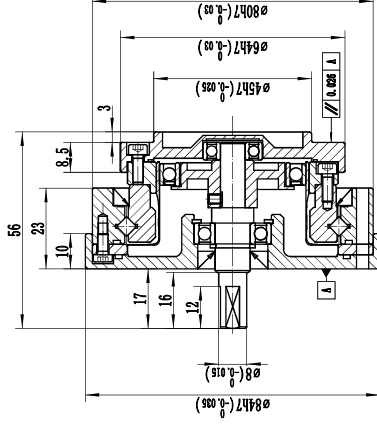
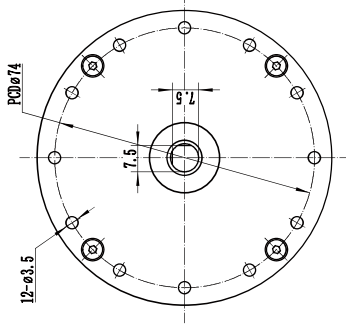
WSHG-IV Series Dimension

Symbol	Model	14	17	20	25	32
ΦA h7		70	80	90	110	142
ΦB		54	64	75	90	115
ΦC h7		36	45	50	60	85
ΦD h7		74	84	95	115	147
ΦE h6		6	8	10	14	14
F		50.5	56	63.5	72.5	84.5
G		15	17	21	26	26
H		20.5	23	25	26	32
I		15	16	17.5	20.5	26.5
J		14	16	20	25	25
K		9	10	10.5	10.5	12
L		8	8.5	9	8.5	9.5
M		2.5	3	3	3	5
O		11	12	16.5	22.5	22.5
P		-	-	8.2	11	11
Q		0.5	0.5	3-0.025	5-0.030	5-0.030
R		-	-	3-0.025	5-0.030	5-0.030
S		-	-	M3×6	M5×10	M5×10
ΦT		64	74	84	102	132
U		8	12	12	12	12
ΦV		3.5	3.5	3.5	4.5	5.5
ΦW		44	54	62	77	100
X		8	16	16	16	16
Y		M3×6 $\Phi 3.5 \times 11.5$	M3×6 $\Phi 3.5 \times 12$	M3×6 $\Phi 3.5 \times 13.5$	M4×7 $\Phi 4.5 \times 15.5$	M5×8 $\Phi 5.5 \times 20.5$
Weight(kg)		0.66	0.94	1.38	2.1	4.4

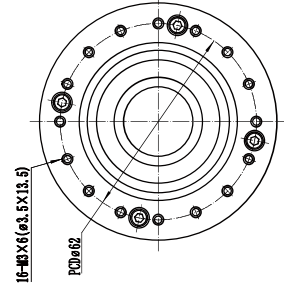
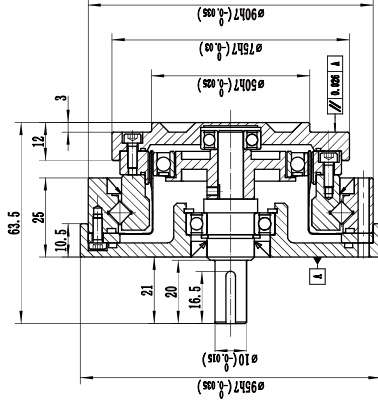
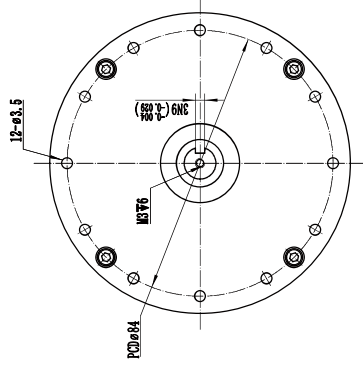
WSHG-14-XXX-IV



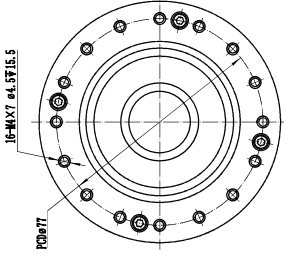
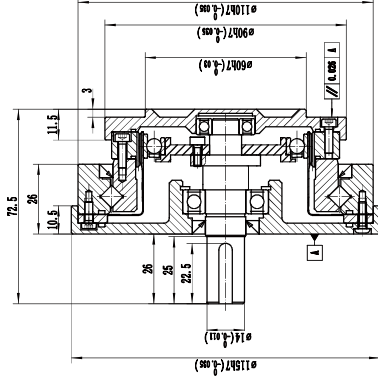
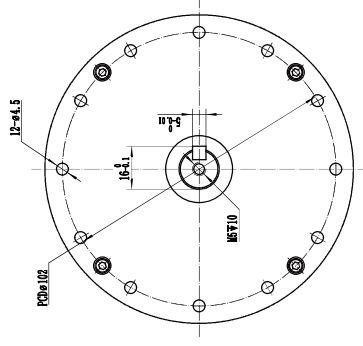
WSHG-17-XXX-IV



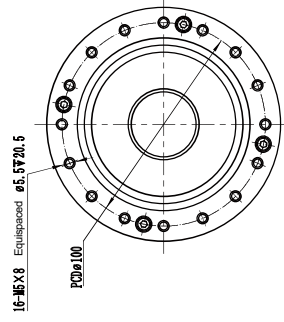
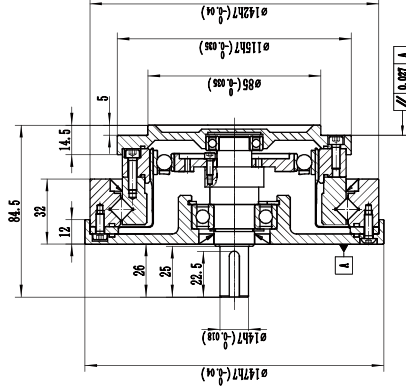
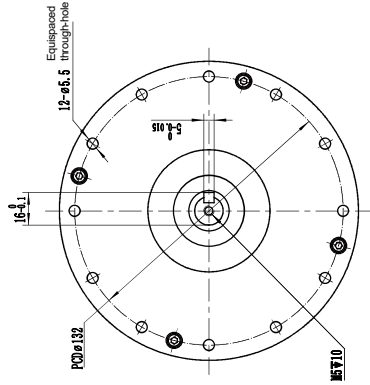
WSHG-20-XXX-IV



WSHG-25-XXX-IV



WSHG-32-XXX-IV



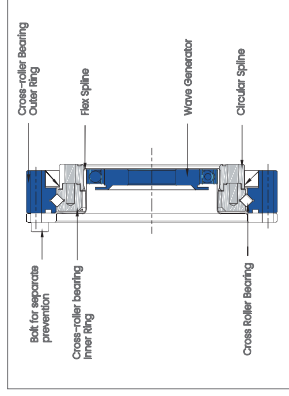
WSHD-I Series Reducer



WSHD-I series reducer

Hollow hat type simple combination (ultra-flat hollow shaft.)

The WSHD-I series is a type that pursues the ultimate in flatness, the axial length is shortened by 50% comparing with the WSHG series. The flexspline has an ultra-thin hollow structure and is equipped with a high-rigidity roller cross bearing at the output end. It is very suitable for applications that require a flat design.



WSHD-I Series Features

- 1.Ultra-thin hollow structure
- 2.High rigidity
- 3.High torque capacity
- 4.Input-output coaxial
- 5.Excellent positioning and rotation accuracy

WSHD-I Series Performance Parameter

Model	Ratio	Rated torque at input speed 2000r/min N·m	Allowable starting & stopping torque N·m	Allowable average torque at average load N·m	Instantaneous maximum torque N·m	Allowable input speed r/min	Allowable input speed r/min	Backlash arc-sec	Lifespan hrs
14	50	3.5	11.4	4.6	23	8000	3500	15	10000
	100	5.1	18	7	33	7000	3500	15	15000
17	50	12	22	17	46	6000	3500	15	10000
	100	16	35	26	67	5500	3500	15	15000
20	50	16	37	23	66	6000	3500	15	10000
	100	28	54	32	90	6000	3500	15	15000
25	50	25	66	36	121	5500	3500	15	10000
	100	47	110	75	184	5500	3500	15	15000