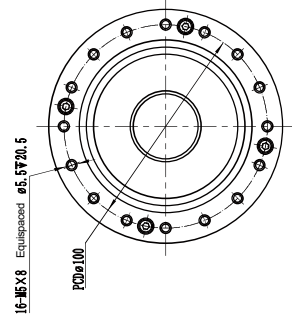
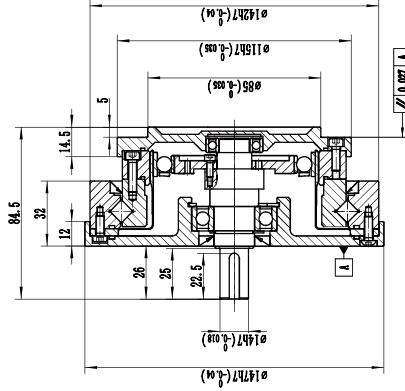
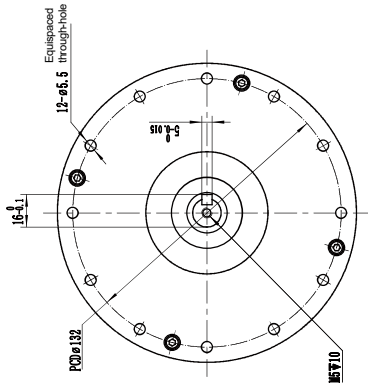


WSHG-32-XXX-IV



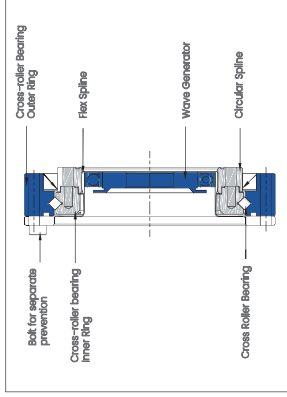
WSHD-I Series Reducer



WSHD-I series reducer

Hollow hat type simple combination (ultra-flat hollow shaft)

The WSHD-I series is a type that pursues the ultimate in flatness, the axial length is shortened by 50% comparing with the WSHG series. The flexspline has an ultra-thin hollow structure and is equipped with a high-rigidity roller cross bearing at the output end. It is very suitable for applications that require a flat design.



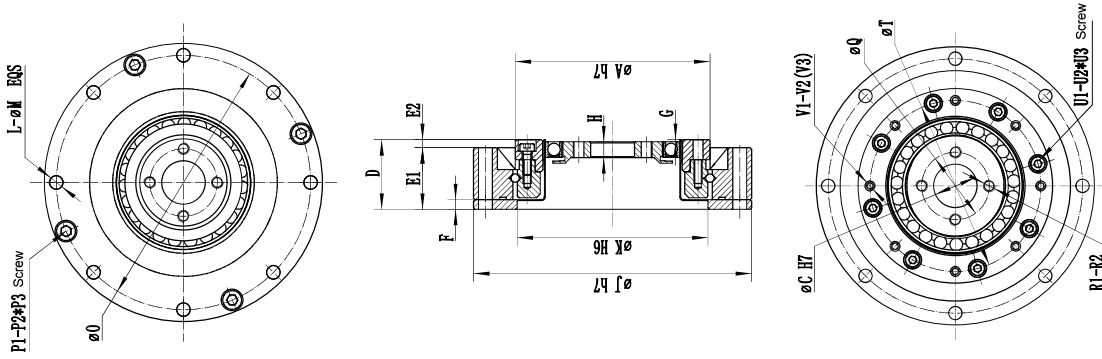
WSHD-I Series Features

- 1.Ultra-thin hollow structure
- 2.High rigidity
- 3.High torque capacity
- 4.Input-output coaxial
- 5.Excellent positioning and rotation accuracy

WSHD-I Series Performance Parameter

Model	Ratio	Rated torque at input speed 2000r/min N·m	Allowable starting & stopping torque N·m	Allowable average torque at average load N·m	Instantaneous maximum torque N·m	Allowable input speed r/min	Allowable input speed r/min	Backlash arc-sec	Lifespan hrs
14	50	3.5	11.4	4.6	23	8000	3500	15	10000
	100	5.1	18	7	33	7000	3500	15	15000
17	50	12	22	17	46	6000	3500	15	10000
	100	16	35	26	67	5500	3500	15	15000
20	50	16	37	23	66	6000	3500	15	10000
	100	28	54	32	90	6000	3500	15	15000
25	50	25	66	36	121	5500	3500	15	10000
	100	47	110	75	184	5500	3500	15	15000

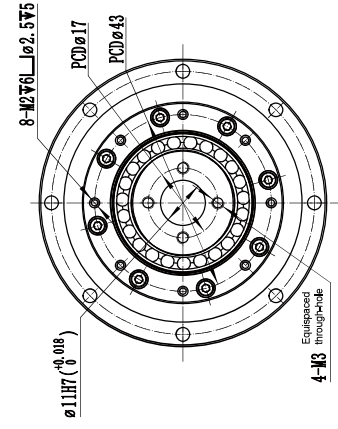
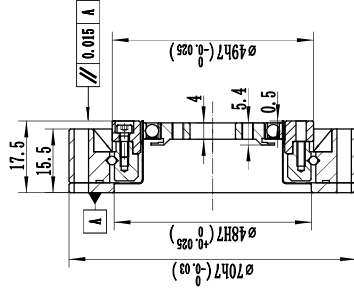
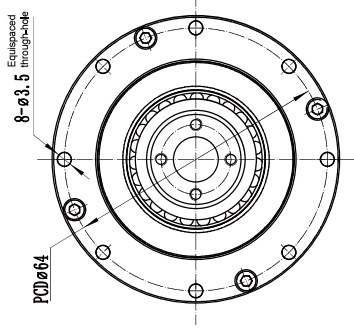
WSHD-I Series Dimensional Drawing



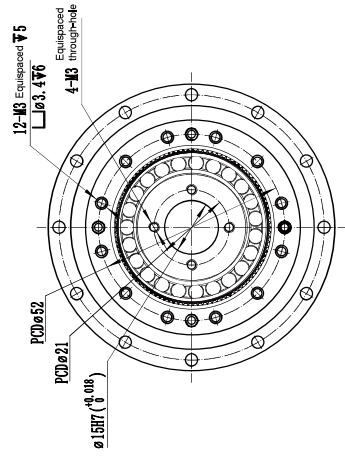
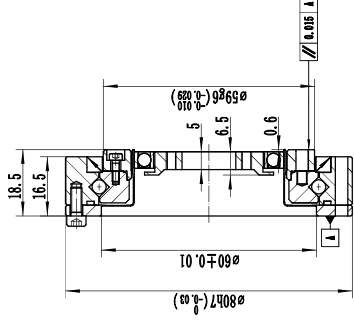
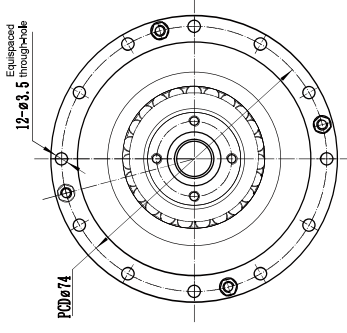
WSHD-I Series Dimension

Symbol	Model	14	17	20	25
ΦA h6		49	59	69	84
ΦCH7		11	15	20	24
D		17.5	18.5	19	22
E1		15.5	16.5	17	20
E2		2	2	2	2
F		2.4	3	3	3.3
G		0.5	0.6	0.6	0.7
H		4	5	5.2	6.3
ΦJ h7		70	80	90	110
ΦK H6		48	60	70	88
L		8	12	12	12
φM		3.5	3.5	3.5	4.5
ΦN		64	74	84	102
P1		4	4	4	4
P2		M3	M3	M3	M3
P3		6	8	8	8
ΦQ		17	21	26	30
R1		4	4	4	6
R2		M3	M3	M3	M4
ΦT		43	52	61.4	74
U1		8	4	4	4
U2		M2	M2	M3	M3
U3		6	6	6	6
V1		8	12	12	12
V2		M2 Deep 6	M3 Deep 5	M3 Deep 6	M4 Deep 6
V3		φ2.5 Deep 5	φ3.4 Deep 6	φ3.5 Deep 6	φ4.5 Deep 6
Weight(Kg)		0.33	0.42	0.52	0.7

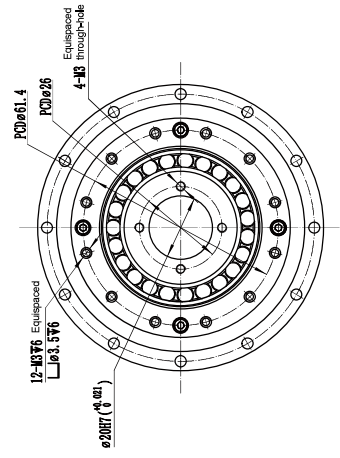
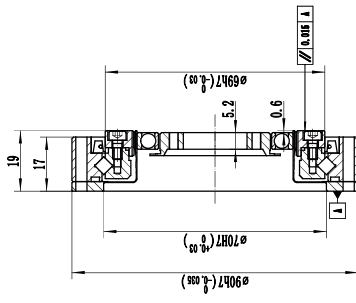
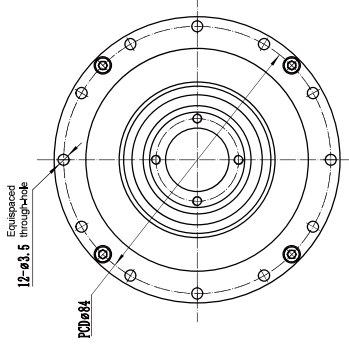
WSHD-14-XXX-I



WSHD-17-XXX-I



WSHD-20-XXX-I



WSHD-25-XXX-I

