

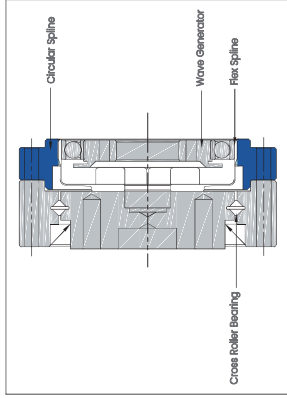
### WCSD-I Series Reducer



WCSD-I series reducer

Cup-shaped combination type (ultra-flat)

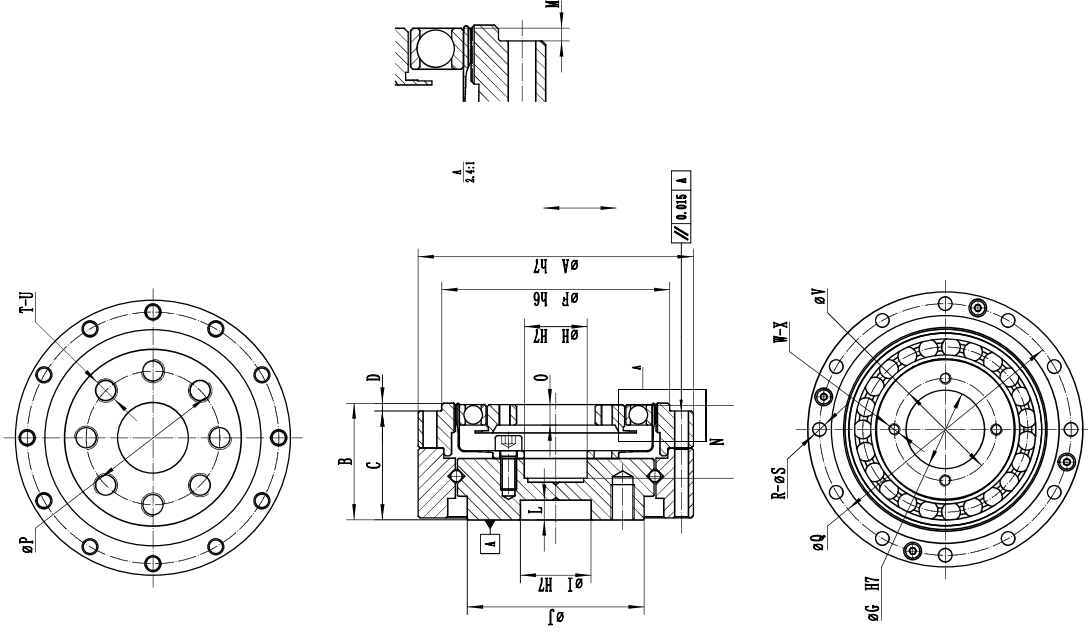
WCSD-I series Committed to the lightweight and compact characteristics of harmonic gear transmission. While inheriting the excellent performance of traditional products, it also achieved a bold shape design. The whole machine design adopts an ultra-flat structure, which is lightweight and compact, and is very suitable for used as robot end joint and client reducer.



WCSD-I Series Features

- 1.Ultra-flat structure
- 2.Lightweight and compact
- 3.High static moment capacity
- 4.Input and output coaxial
- 5.Excellent positioning accuracy and rotation accuracy

### WCSD-I Series Dimensional Drawing



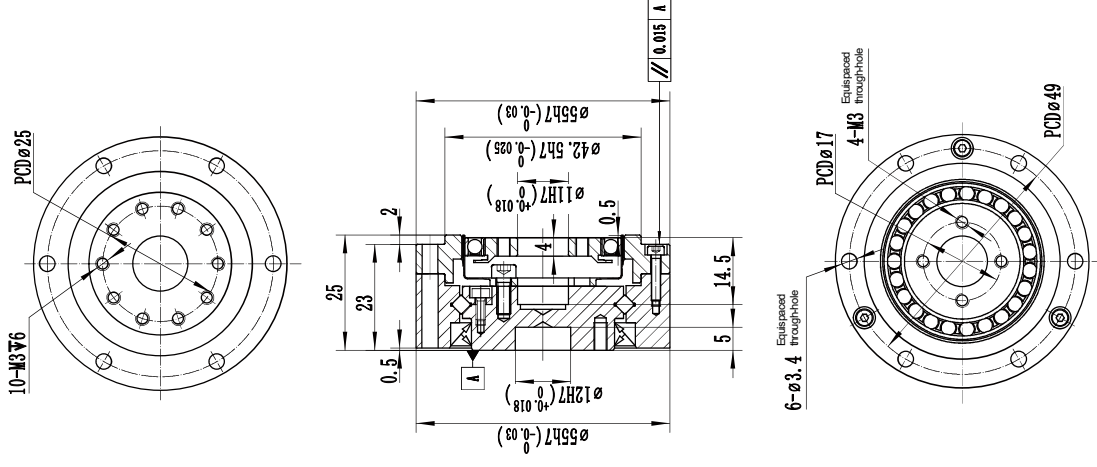
### WCSD-I Series Performance Parameter

Model	Ratio	Rated torque at input speed 2000 r/min N·m	Allowable starting & stopping torque N·m	Allowable torque at average load N·m	Input torque maximum torque N·m	Allowable input speed r/min	Allowable input speed r/min	Backlash arc-sec	Life-span hrs
14	50	3.5	11.4	4.6	23	8000	3500	15	10000
	100	5.1	18	7	33	7000	3500	15	15000
17	50	10.5	22	17	46	6000	3500	15	10000
	100	15	35	26	67	6000	3500	15	15000
20	50	16	37	23	66	6000	3500	15	10000
	100	27	54	32	90	6000	3500	15	15000

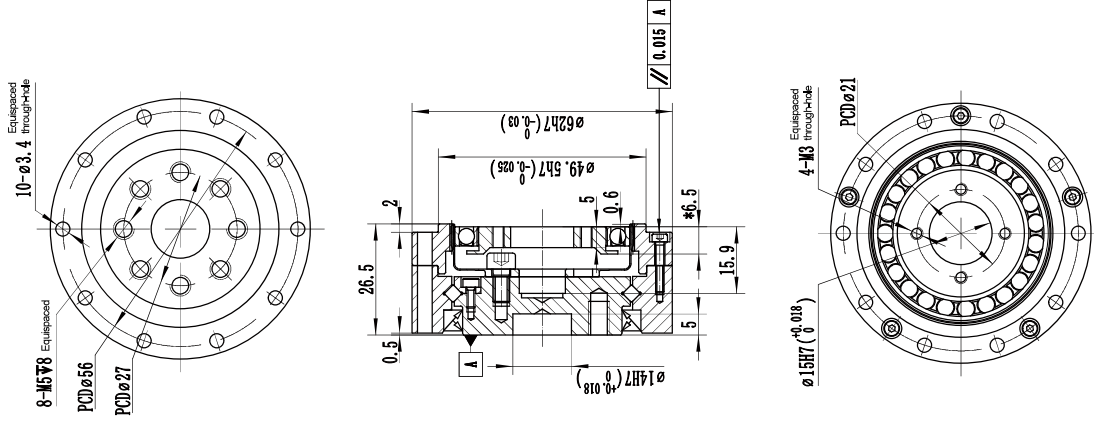
## WCSD-I Series Dimension

## WCSD-14-XXX-I

Symbol	Model	14	17	20
$\phi$ Ah7		55	62	70
B		25	26.5	29.7
C		22.5	24	27.2
D		2	2	2
E		0.5	0.5	0.5
$\phi$ F		42.5	49.5	58
$\phi$ Gh7		11	15	20
$\phi$ H		11	11	16
$\phi$ h7		12	14	18
$\phi$ J		31	38	45
L		5	5	5
M		1.4	1.3	1.6
N		14.5	15.9	18.5
O		4	5	5.2
$\phi$ P		25	27	34
$\phi$ Q		49	56	64
R		6	10	12
S		$\phi$ 3.4	$\phi$ 3.4	$\phi$ 3.5
T		10	8	8
U		M3 Deep 6	M5 Deep 8	M6 Deep 9
$\phi$ V		17	21	26
W		4	4	4
X		M3	M3	M3
Weight(kg)		0.5	0.66	0.94



WCSD-17-XXX-I



WCSD-20-XXX-I

