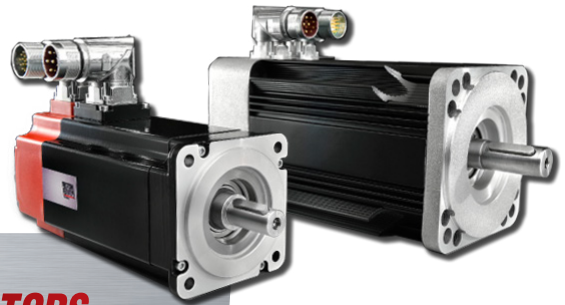


BRUSHLESS TECHNOLOGY



TETRA - TETRA COMPACT BRUSHLESS SERVOMOTORS

The brushless servomotor is a product of tried-and-tested success that Motor Power Company manufacturers thanks to in-company know-how acquired during years of practical experience with designing and building motors.

TETRA COMPACT belongs to the low power range and stands out for its constructional shape, TETRA is the brushless servomotor with excellent efficiency along with high torque rate, thanks to the intrinsic technology that gets the most out of the magnetic material. The original construction of the rotor part (patented) permits two possible inertia executions on the same motor size by ensuring an optimum dynamic response even with different load masses.

This servomotors are particularly suitable for positioning tasks in industrial robotic, machine tools, actuators and machine automation with demanding requirements in terms of dynamics and stability.

FEATURE

Synchronous brushless servomotor, permanently excited

Rated output power from 60W to 8kW

Maximum servomotor speed up to 5000rpm

Insulation class F (155 °C)

IP 65 on motor body

Ral 9005 black powder coating

Temperature protection by KTY 84 (excluding TC 40)

Shaft balancing class G 2,5 according ISO 1940

Smooth or keyed shaft

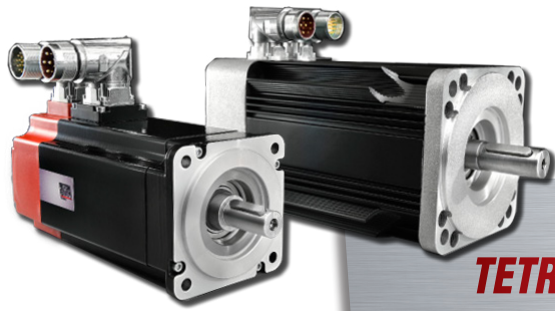
Built-in feedback resolver 2 poles, TTL Encoder, Absolute Multiturn Encoder (Hiperface)

Cable flange with connectors for TC 40

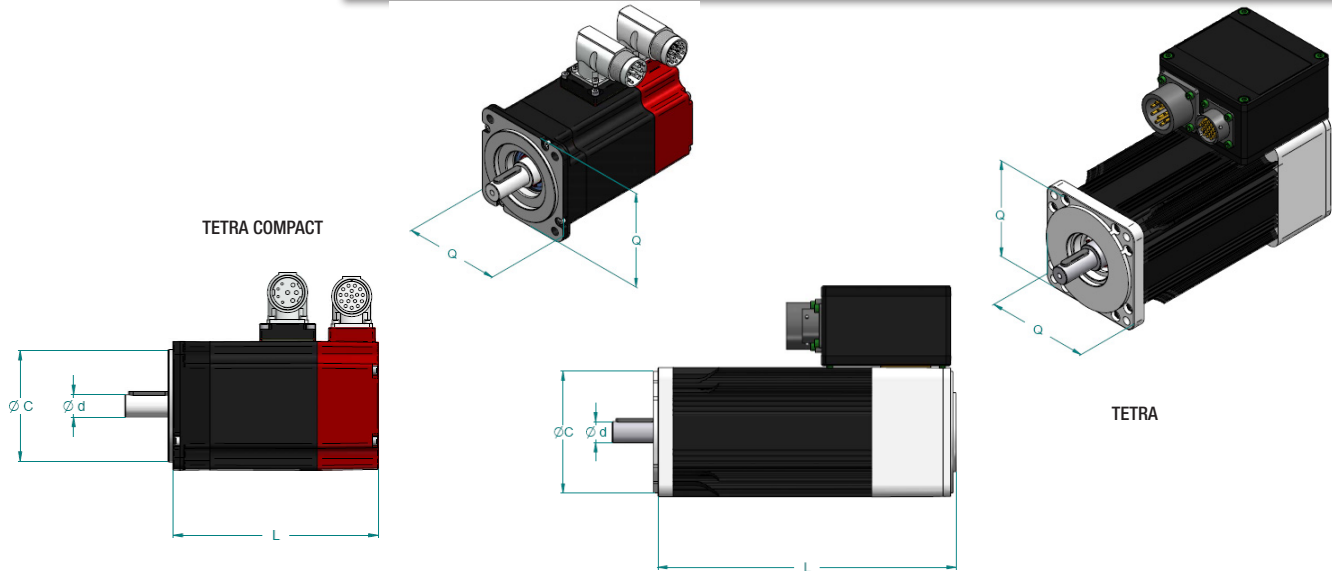
90° round circular turnable connectors (IP 67) for all other models

Optional electromagnetic permanent-holding brake. Zero backlash

Optional shaft sealing



TETRA - TETRA COMPACT BRUSHLESS SERVOMOTORS



Servomotor Type	Rated Output Power*	Rated Torque	Peak Torque	Rated Voltage	Rated Speed	Inertia	Weight	Brake length**	L	d	c	Q
	(W)	(Nm)	(Nm)	(V)	(rpm)	(kg cm ²)	(kg)	(mm)	(mm)	(mm)	(mm)	(mm)
TC 40 0,16	60	0,2	0,48	24 Vdc	3000	0,027	0,4	31	91	8	30	40
TC 40 0,32	100	0,32	0,96	48 Vdc	3000	0,047	0,54	31	109	8	30	40
TC 60 0,65	200	0,64	1,95	230 Vac	3000	0,13	0,85	37	111	11	50	60
TC 60 1,3	370	1,17	3,9	230 Vac	3000	0,24	1,25	37	136	14	50	60
TC 80 1,5	480	1,53	4,5	230 Vac	3000	0,64	2,25	42	128	14	70	80
TC 80 2,8	800	2,54	8,4	400 Vac	3000	1,16	3,0	42	153	19	70	80
TC 80 4 15	1068	4,0	12,0	230 Vac	3000	1,58	4,1	42	178	19	70	80
TC 100 3,2	820	2,62	11,0	230 Vac	3000	1,55	3,9	50	145	14	95	100
TC 100 5,6	1320	4,2	22,0	400 Vac	3000	2,91	5,6	50	175	19	95	100
TC 100 8	1570	5,0	33,0	400 Vac	3000	4,1	7,3	50	205	19	95	100
T 115 3	840	2,7	9,0	400 Vac	3000		4,7	50	164	14	110	115
T 115 5,2	1300	4,1	15,6	230 Vac	3000		6,2	50	189	19	110	115
T 115 7	1650	5,3	21,0	230 Vac	3000		7,5	50	214	19	110	115
T 115 9,2	2000	6,4	27,6	230 Vac	3000		8,8	50	239	19	110	115
T 115 11	2300	7,3	33,0	230 Vac	3000		9,9	50	264	19	110	115
T 142 12	2700	8,6	31,0	230 Vac	3000		13,5	60	245	24	130	142
T 142 16,5	3500	11,1	42,0	400 Vac	3000		15,5	60	275	24	130	142
T 142 21	4100	13,1	55,0	230 Vac	3000		18,5	60	305	24	130	142
T 142 25,5	5000	15,9	65,0	230 Vac	3000		20,5	60	335	24	130	142
T 180 22,5	4700	15,0	63,0	400 Vac	3000		30	60	290	28	180	190
T 180 35 17	6600	21,0	95,0	400 Vac	3000		37,5	60	350	38	180	190
T 180 47 17	8380	40,0	130,0	400 Vac	2000		45,5	60	410	38	180	190

SEE CATALOGUE

* Output continuous ratings with 250x250x6mm heat sink flange coupling for Tetra Compact 40-60-80, with 300x300x6mm for Tetra Compact 100, with 350x350x20mm for Tetra 115-142, with 500x500x20mm for Tetra 180

** The safety brake value increases the motor length-