

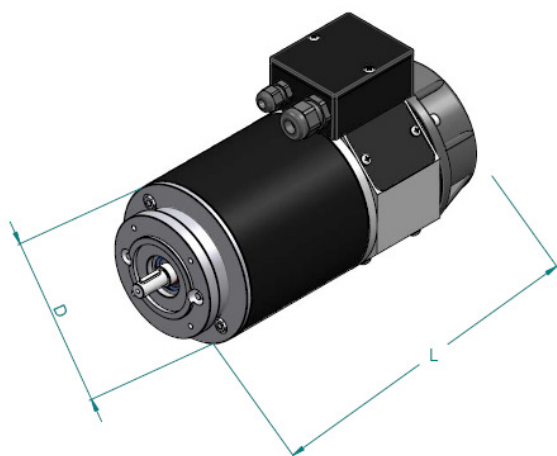
PENTA DIRECT CURRENT MOTORS



A range of direct-current motors with power, reliability and durability features. Using only top-quality materials, PENTA is ideal for variable-speed handling applications. Available with a wide range of windings, as well as different mechanical configurations and options, PENTA is flexible and adaptable to an extremely wide variety of specific needs.

FEATURE

- 45 – 900Watt power
- IP54 protection (IP 55 as an option)
- Class F insulation
- Options: tacho generator, brake, encoder
- CE certified



| Motor type | Watt power at 3000 Rpm (W) | Rated speed torque (Nm) | Voltage (Vdc) | Diameter D (mm) | Length L (mm) |
|------------|----------------------------|-------------------------|----------------|-----------------|---------------|
| PENTA 1S | 45 | 0.14 | from 24 to 180 | 57.8 | 109.5 |
| PENTA 1M | 70 | 0.22 | | | 136 |
| PENTA 1L | 95 | 0.30 | | | 183.5 |
| PENTA 4S | 300 | 0.95 | from 12 to 180 | 116 | 197.5 |
| PENTA 4M | 600 | 1.9 | from 24 to 180 | | 227.5 |
| PENTA 4L | 900 | 2.86 | from 24 to 180 | | 257.5 |
| PENTA 5X | 100 | 0.32 | from 12 to 180 | 83.5 | 144.5 |
| PENTA 5XS | 150 | 0.48 | from 12 to 180 | | 177.5 |
| PENTA 5S | 200 | 0.64 | from 12 to 180 | | 212.5 |
| PENTA 5SL | 300 | 0.96 | from 24 to 180 | | 229 |
| PENTA 5M | 360 | 1.15 | from 36 to 180 | | 267.5 |
| PENTA 5L | 500 | 1.6 | from 48 to 180 | | 322.5 |