

DIRECT CURRENT TECHNOLOGY

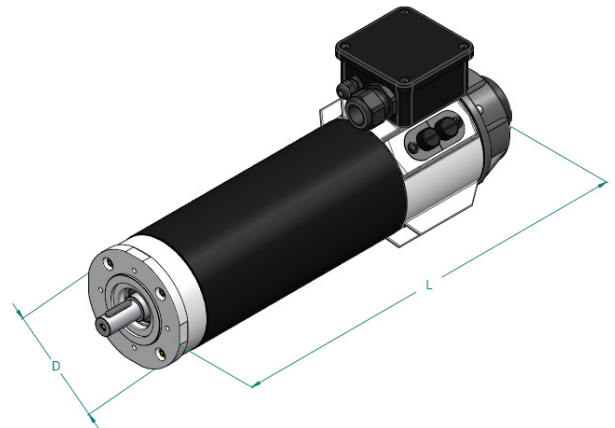


ESA DIRECT CURRENT SERVOMOTORS

An advanced mechanical design and a recognized technology make the ESA servomotor a reliable and durable product, with an optimum dimensional/performance ratio. The ESA range has a high overload capacity and notably linear rotation, even at low speed. A commutator with a high number of blades and a built-in tacho generator allows repeated and precise speed variations even at high torque values.

FEATURE

- 0.32 – 15Nm torque
- IP 54 protection (IP 55 as an option)
- 4 poles tacho generator with rare earth magnets
- Original electromagnetic circuit to overcome the cogging effect
- High number of blades commutator reduces the velocity ripple
- CE certified



Servomotor type	Continuous stall torque (Nm)	Rated power (W)	Motor diameter D (mm)	Brake length (mm) *	Motor length L (mm)
ESA 2S	0.32	70	57.8	41.5	136
ESA 2L	0.47	95			183.5
ESA 3XS	0.6	150	83.5	44	177.5
ESA 3S	0.93	200			212.5
ESA 3SL	1.3	300			229
ESA 3M	1.6	360			267.5
ESA 3L	2.1	500			322.5
ESA 6S	2.65	590	116	*	268
ESA 6F	3.5	720		*	268
ESA 6M	5.5	1250		*	340
ESA 6L	8	1320	153.5	*	412
ESA 9S	6	1380		*	298
ESA 9M	11	1570		*	363
ESA 9L	15	2680	*	424	

*Included in motors' length